

## Excellent Integrated System Limited

Stocking Distributor

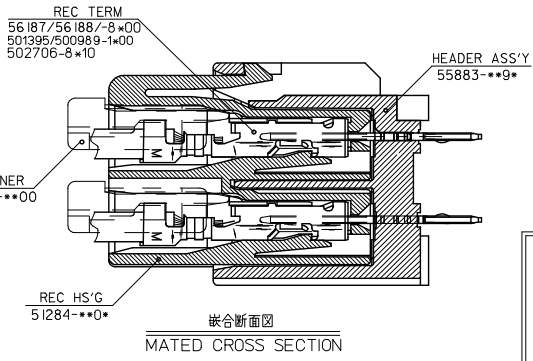
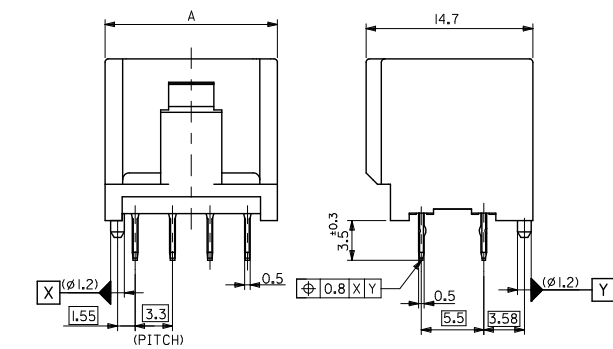
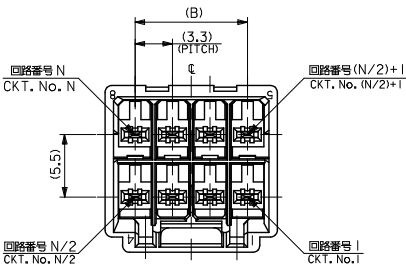
Click to view price, real time Inventory, Delivery & Lifecycle Information:

[Molex Connector Corporation](#)  
[0558830490](#)

For any questions, you can email us directly:

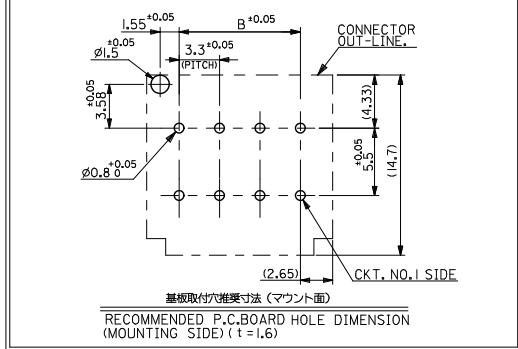
[sales@integrated-circuit.com](mailto:sales@integrated-circuit.com)

本図は2列品を示す  
DUAL ROW ASS'Y



注記  
NOTES

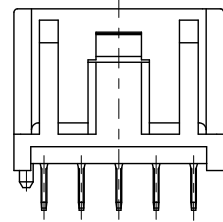
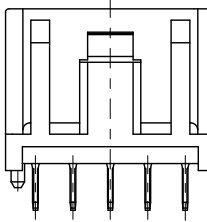
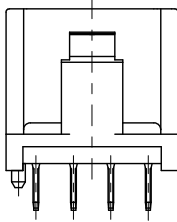
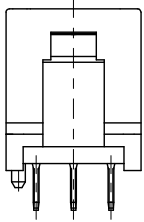
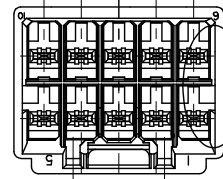
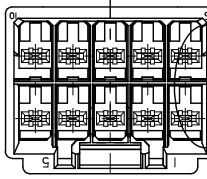
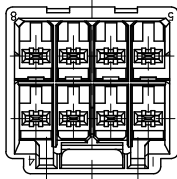
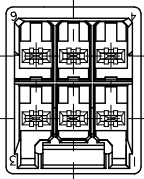
1. 材料 MATERIAL  
ピン : 黄銅, ニッケル下地鍍メッキ  
PIN : BRASS, TIN OVER NICKEL PLATED  
ヘッダー : ポリアミド (PA), ガラス充填 UL94V-0  
HEADER : POLYAMIDE(PA)-GLASS FILLED-UL94V-0
2. 嵌合相手 MATE WITH : 51284-\*\*\*
3. ソルダークールキンは、両端のピンのみとする。  
KINK TO BE APPLIED FOR 4 PINS AT BOTH ENDS.
- △ 極性用溝 PALARIZING KEY
5. ELV及びRoHS 適合品  
ELV AND RoHS COMPLIANT



LOCK SIDE	BLACK	13.2	18.5	55883-1091	10
OPPOSITE SIDE OF LOCK	NATURAL(IVORY)			-1090	
	RED	9.9	15.2	-0892	8
MATING KEY POSITION (SEE SHEET 2 OF 3)	NATURAL(IVORY)	6.6	11.9	-0890	6
	COLOR	B	A	TRAY PACKAGE オーダー番号 ORDER NO. CIRCUITS	極数

REVISED EC NO. J2010-0432 DRAWN BY DR.WAN YOSHIKAWA 2009/09/14 CHKD.K. ASAKAWA 2009/09/14 APPR. MUKITA 2009/09/15	GENERAL TOLERANCES (UNLESS SPECIFIED)		DIMENSION STYLE MM ONLY	SCALE ---	DESIGN UNITS METRIC	CONNECTOR SERIES No. 55883-***9*	THIRD ANGLE PROJECTION
	10 UNDER	± 0.2	DRAWN BY J. KUGOU	DATE '04/02/12	TITLE 3.3 WIRE TO BOARD CONN. HEADER ASS'Y		
	10 OVER 30 UNDER	± 0.25	CHECKED BY M. SASAO	DATE '04/02/12	MOLEX INCORPORATED		
	30 OVER	± 0.3	APPROVED BY M. SASAO	DATE '04/02/12	DOCUMENT NO. SD-55883-010		
	ANGULAR	± 3 °	MATERIAL NO. SEE CHART		SHEET NO. 1 OF 3		

本図は2列品を示す  
DUAL ROW ASS'Y



SHAPE OF  
55883-0690  
HEADER COLOR:NATURAL

SHAPE OF  
55883-0890  
HEADER COLOR:NATURAL  
55883-0892  
HEADER COLOR:RED

SHAPE OF  
55883-1090  
HEADER COLOR:NATURAL

SHAPE OF  
55883-1091  
HEADER COLOR:BLACK

MATING KEY POSITION:OPPOSITE SIDE OF LOCK

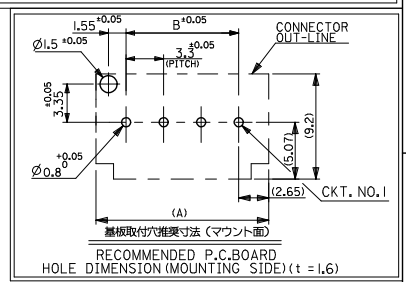
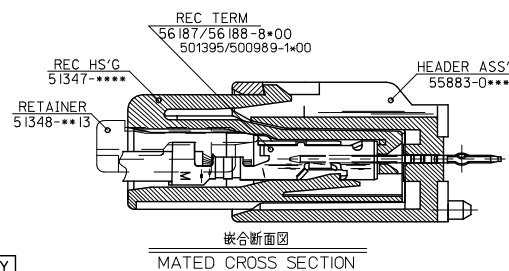
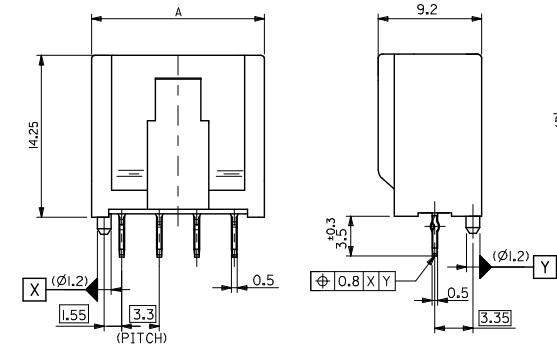
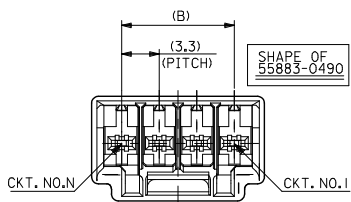
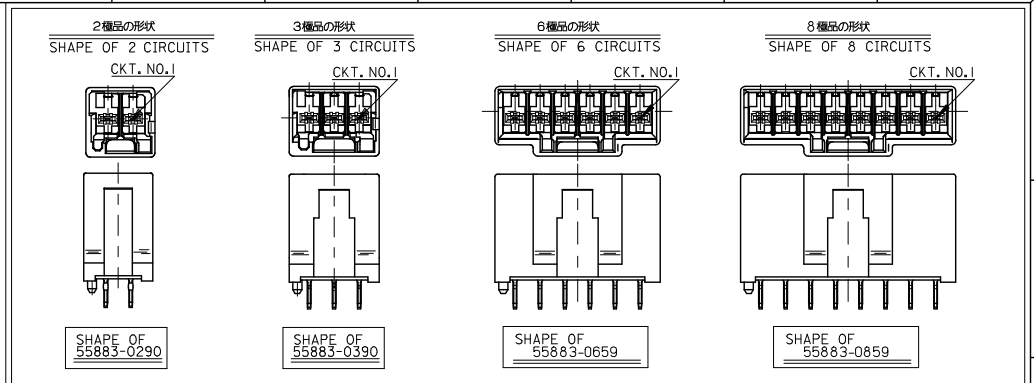
MATING KEY POSITION:LOCK SIDE

極数レイアウト図  
LAYOUT OF EACH CIRCUITS

REVISED IEC NO: J2010-0432 DRAWN BY: DRWNYOSHIKAWA 2009/09/11 CHECKED: ASAKAWA 2009/09/14 APPR: NUKITA 2009/09/15 DESCRIPTION D	GENERAL TOLERANCES (UNLESS SPECIFIED)		DIMENSION STYLE MM ONLY		SCALE ---	DESIGN UNITS METRIC	THIRD ANGLE PROJECTION
	10 UNDER	±0.2	DRAWN BY J. KUGOU	DATE '04/02/12	TITLE 3.3 WIRE TO BOARD CONN. HEADER ASS'Y		
	10 OVER 30 UNDER	±0.25	CHECKED BY M. SASAO	DATE '04/02/12	MATERIAL NO. SEE SHEET 1		
	30 OVER	±0.3	APPROVED BY M. SASAO	DATE '04/02/12	DOCUMENT NO. SD-55883-010		
	ANGULAR	±3°	DRAFT WHERE APPLICABLE MUST REMAIN WITHIN DIMENSIONS		SHEET NO. 2 OF 3		

10 9 8 7 6 5 4 3 2 1

本図は1列品を示す  
SINGLE ROW ASS'Y



NATURAL (IVORY)	23.1	28.4	55883-0859	8
	16.5	21.8	55883-0659	6
	9.9	15.2	55883-0490	4
	6.6	11.9	55883-0390	3
	3.3	9.1	55883-0290	2
COLOR	B	A	TRAY PACKAGE	極数
			オーダー番号 ORDER NO.	CIRCUITS

注記 NOTES

- 材料 MATERIAL  
 ピン PIN : 鍍銀、ニッケル下地鍍メッキ  
 BRASS, TIN OVER NICKEL PLATED  
 ヘッダー HEADER : ポリアミド (PA)、ガラス充填 UL94V-0  
 POLYAMIDE (PA), GLASS FILLED, UL94V-0
- 嵌合相手 MATE WITH  
 : 51347-\*\*\*\*
- ELV及びRoHS 適合品  
 ELV AND RoHS COMPLIANT

REVISED EC NO. J2010-0432 DRAWN BY DR. YOSHIO KAWA 2009/09/14 CHKD BY CHIKDK ASAKAWA 2009/09/14 APPR. BY AKITA 2009/09/15	GENERAL TOLERANCES (UNLESS SPECIFIED)		DIMENSION STYLE	SCALE	CONNECTOR SERIES No. 55883-0***	
	10 UNDER	± 0.2	MM ONLY	---	DESIGN UNITS	
	10 OVER 30 UNDER	± 0.25	DRAWN BY J. KUGOU	DATE '04/02/12	METRIC	THIRD ANGLE PROJECTION
	30 OVER	± 0.3	CHECKED BY M. SASAO	DATE '04/02/12	MOLEX INCORPORATED	
	ANGULAR	± 3 °	APPROVED BY M. SASAO	DATE '04/02/12		
DRAFT WHERE APPLICABLE MUST REMAIN WITHIN DIMENSIONS			MATERIAL NO.	DOCUMENT NO.	SHEET NO.	
			SEE CHART	SD-55883-010	3 OF 3	
			THIS DRAWING CONTAINS INFORMATION THAT IS PROPRIETARY TO MOLEX INCORPORATED AND SHOULD NOT BE USED WITHOUT WRITTEN PERMISSION			