

Excellent Integrated System Limited

Stocking Distributor

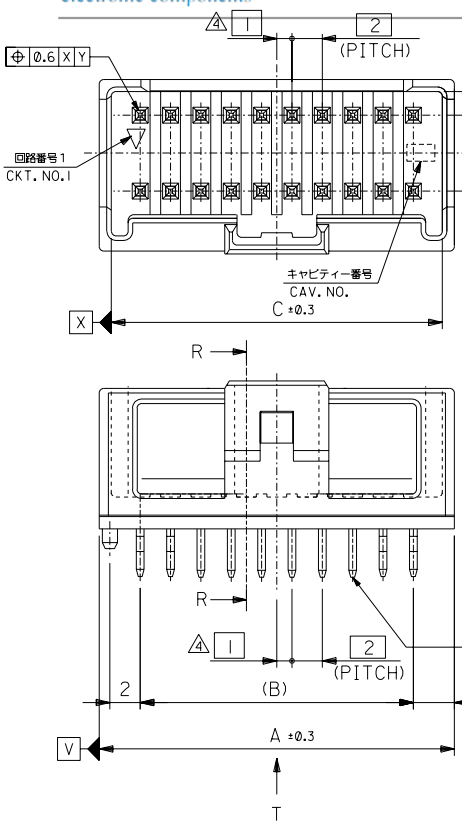
Click to view price, real time Inventory, Delivery & Lifecycle Information:

[Molex Connector Corporation](#)
[0559170810](#)

For any questions, you can email us directly:

sales@integrated-circuit.com

DWG. NO. SD-55917-003



注記 NOTES

- 材料 MATERIAL
ピン : 黄銅、ニッケル下地鍍メッキ
PIN : BRASS, Sn OVER NI PLATED
ハウジング : PBT (ガラス入り: 15%), UL94V-0
HOUSING : PBT(G.F.: 15%), UL94V-0
- 嵌合相手 : 51353シリーズ
MATE WITH : 51353 SERIES
- ソルダーテールキックは、両端の8ピンのみとする。
KINK TO BE APPLIED FOR 8 PINS AT BOTH ENDS.

△ (金銀色/2) = 偶数の場合に適用。
APPLY FOR (CIRCUIT/2)=EVEN
△ 製品番号 MATERIAL NO.
55917-***
極数 CIRCUIT SIZE | 色 COLOR

ナチュラル(白) NATURAL(WHITE)	0
黒 BLACK	1
赤 RED	2
黄 YELLOW	3
青 BLUE	4
桃 PINK	5
緑 GREEN	6
茶 BROWN	7
橙 ORANGE	8
紫 VIOLET	9

41.8	38	43.4	55917-40*	40
39.8	36	41.4	-38*	38
37.8	34	39.4	-36*	36
35.8	32	37.4	-34*	34
33.8	30	35.4	-32*	32
31.8	28	33.4	-30*	30
29.8	26	31.4	-28*	28
27.8	24	29.4	-26*	26
25.8	22	27.4	-24*	24
23.8	20	25.4	-22*	22
21.8	18	23.4	-20*	20
19.8	16	21.4	-18*	18
17.8	14	19.4	-16*	16
15.8	12	17.4	-14*	14
13.8	10	15.4	-12*	12
11.8	8	13.4	-10*	10
9.8	6	11.4	55917-08*	8
C	B	A	△ MATERIAL NO.	CT.

無鉛 LEAD FREE

REV	DESCRIPTION	MATERIAL 材料	注記参照 SEE NOTES
D	REVISED DRAWN LITO CHK: K. ASAKAWA APPR: T. YAMAGUCHI		
C	REVISED DRAWN LITO CHK: K. ASAKAWA APPR: T. YAMAGUCHI		
B	REVISED DRAWN LITO CHK: K. ASAKAWA APPR: T. YAMAGUCHI		
A	REVISED DRAWN LITO CHK: K. ASAKAWA APPR: T. YAMAGUCHI		
0	RELEASED DRAWN LITO CHK: K. ASAKAWA APPR: T. YAMAGUCHI		

GENERAL TOLERANCES: (UNLESS SPECIFIED) 一般公差	SCALE 縮尺	DESIGN UNITS 設計単位
10 UNDER 未満	SCALE	mm INCH
10 OVER 以上		
30 UNDER 未満		
30 OVER 以上		
ANGLE 角度		3°

55917-***	MODEL NO.	DIMENSIONS: 寸法	SHT 1 OF 2	REV
SCALE	PROJECTION	mm INCH	REVISION ON CAD ONLY	
DRAWN BY & DATE N.I.TO 01/12/17	TITLE: 2.0mm W-t-B DUAL CONN DIP PLUG HOUSING ASS'Y ST (WITH BOSS)			
CHECKED BY & DATE K.ASAKAWA 03/06/26				
APPROVED BY & DATE T.YAMAGUCHI 03/06/26				
CAD FILENAME 55917003.S01	MATERIAL NO. SEE CHART	DRAWING NO. SD-55917-003	SHEET NO. 1 OF 2	SIZE B
THIS DRAWING CONTAINS INFORMATION THAT IS PROPRIETARY TO MOLEX INCORPORATED AND SHOULD NOT BE USED WITHOUT WRITTEN PERMISSION.				
EN-02JU(097)MXJ-54				

DO NOT SCALE DRAWING

DWG. NO. SD-55917-003

F

E

D

C

B

A

DO NOT SCALE DRAWING

F

E

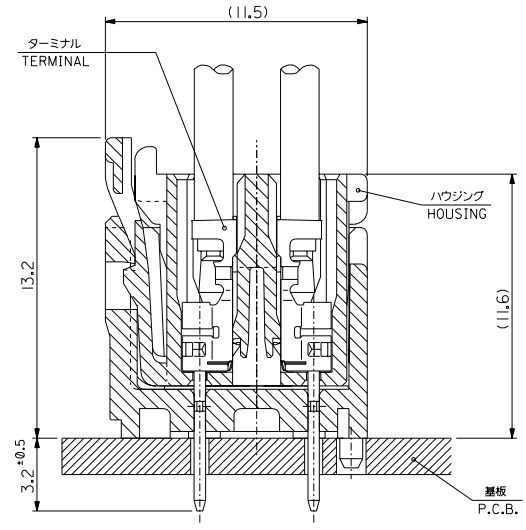
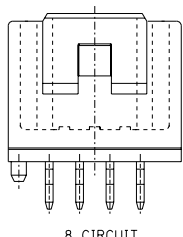
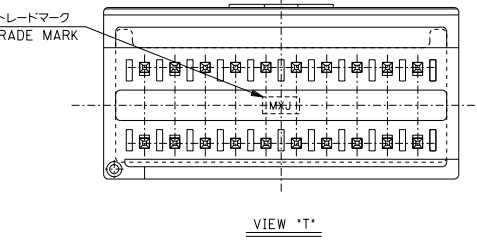
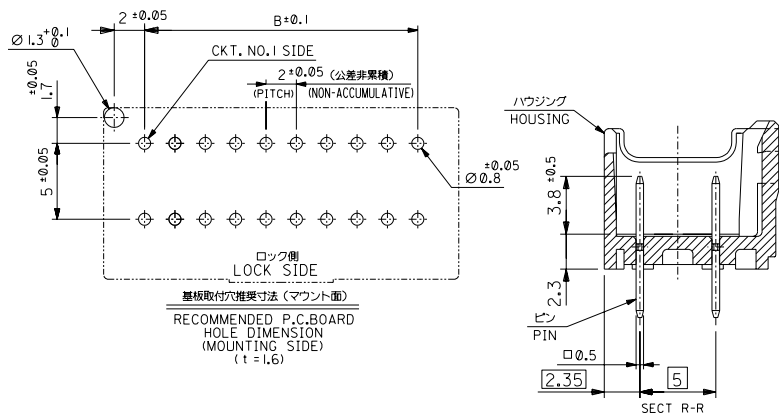
D

C

B

A

559170810



無鉛
LEAD FREE

REVISED	55917-***1	MODEL NO.	DIMENSIONS:		SHT	REV	
	SCALE 4:1	DESIGN UNITS mm INCH	BOARD ANGLE PROJECTION	mm INCH	mm ONLY	REVISE ON CAD ONLY	
D	REVISIONS	DRAWN BY & DATE		TITLE:			
C	REVISIONS	CHECKED BY & DATE		2.0mm W-t-B DUAL CONN DIP			
B	REVISIONS	APPROVED BY & DATE		PLUG HOUSING ASS'Y ST (WITH BOSS)			
A	REVISIONS	CAD FILENAME		MOLEX INCORPORATED			
0	REVISIONS	MATERIAL NO.		DRAWING NO.		SHEET NO.	
		SEE CHART		SD-55917-003		2 OF 2	
		THIS DRAWING CONTAINS INFORMATION THAT IS PROPRIETARY TO MOLEX INCORPORATED AND SHOULD NOT BE USED WITHOUT WRITTEN PERMISSION.				SIZE	
						B	
							EN-02J(097) MXJ-54

8 7 6 5 4 3 2