

Excellent Integrated System Limited

Stocking Distributor

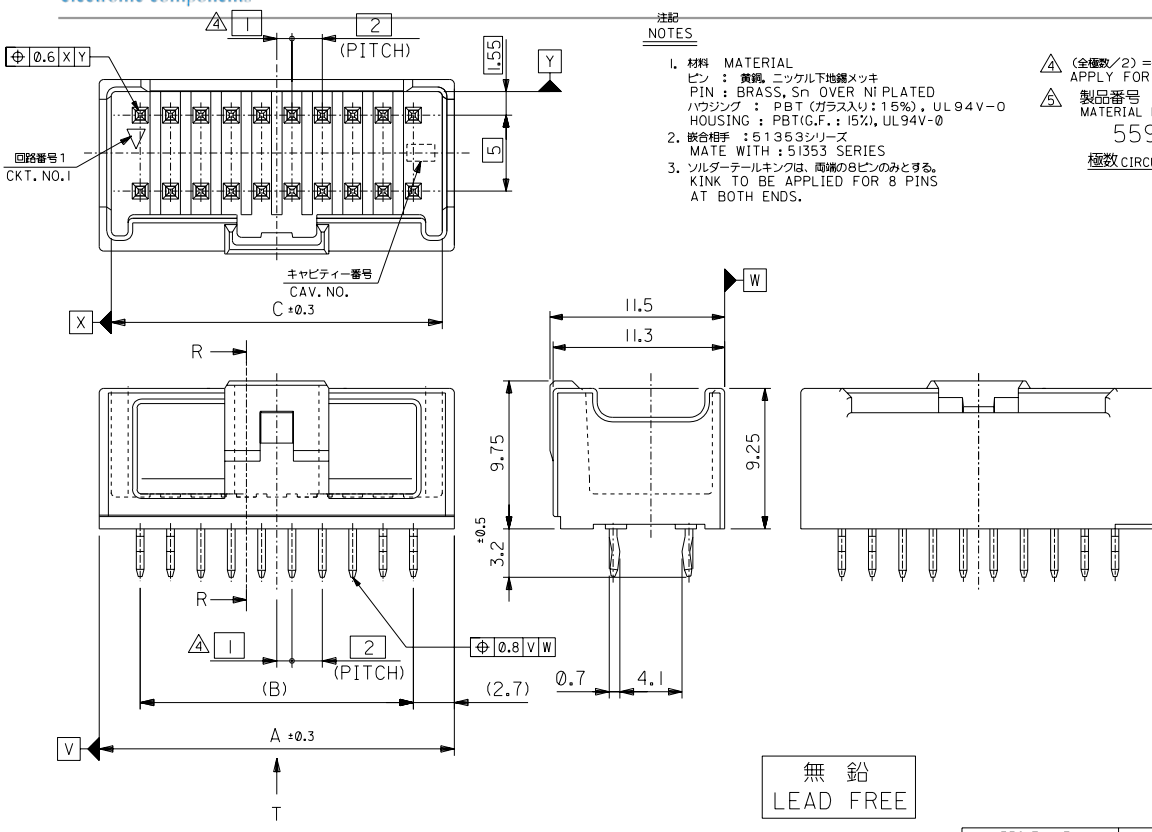
Click to view price, real time Inventory, Delivery & Lifecycle Information:

[Molex Connector Corporation](#)
[0559171230](#)

For any questions, you can email us directly:

sales@integrated-circuit.com

DWG. NO. SD-55917-005



注記 NOTES

- 材料 MATERIAL
ピン : 鍍銀 ニッケル下地鍍メッキ
PIN : BRASS, Sn OVER NI PLATED
ハウジング : PBT (ガラス入り: 15%), UL94V-0
HOUSING : PBT(G.F.: 15%), UL94V-0
- 嵌合相手 : 51353シリーズ
MATE WITH : 51353 SERIES
- ソルダーテールキックは、両端の8ピンのみとする。
KINK TO BE APPLIED FOR 8 PINS AT BOTH ENDS.

△ (金銀数/2) = 偶数の場合に適用。
APPLY FOR (CIRCUIT/2) = EVEN

△ 製品番号 MATERIAL NO.
55917-***3*

極数 CIRCUIT SIZE 色 COLOR

ナチュラル(白) NATURAL(WHITE)	0
黒 BLACK	1
赤 RED	2
黄 YELLOW	3
青 BLUE	4
桃 PINK	5
緑 GREEN	6
茶 BROWN	7
橙 ORANGE	8
紫 VIOLET	9

41.8	38	43.4	55917-403*	40
39.8	36	41.4	-383*	38
37.8	34	39.4	-363*	36
35.8	32	37.4	-343*	34
33.8	30	35.4	-323*	32
31.8	28	33.4	-303*	30
29.8	26	31.4	-283*	28
27.8	24	29.4	-263*	26
25.8	22	27.4	-243*	24
23.8	20	25.4	-223*	22
21.8	18	23.4	-203*	20
19.8	16	21.4	-183*	18
17.8	14	19.4	-163*	16
15.8	12	17.4	-143*	14
13.8	10	15.4	-123*	12
11.8	8	13.4	-103*	10
9.8	6	11.4	55917-083*	8
C	B	A	△ MATERIAL NO.	CKT.

無鉛
LEAD FREE

DO NOT SCALE DRAWING	REV. DESCRIPTION	8	REVISED DRAWN: N.ITO '03/06/26 CHK: K.SAKAWA APPR: T.YAMAGUCHI	MATERIAL 材料 注記参照 SEE NOTES	GENERAL TOLERANCES: (UNLESS SPECIFIED) — 一般公差	SCALE —	DESIGN UNITS mm INCH	MODEL NO. 55917-***3*	DIMENSIONS: PROJECTION mm INCH	SHT REV	REVISE ON CAD ONLY
		7	REVISED DRAWN: N.ITO '03/06/19 CHK: K.SAKAWA APPR: T.YAMAGUCHI								
		6	RELEASED DRAWN: N.ITO '02/02/28 CHK: K.SAKAWA APPR: T.YAMAGUCHI		10 OVER 以上 +0.25						
		5			30 UNDER 未満 +0.3						
		4			30 OVER 以上 +0.3						
		3			ANGLE 角度 +3°						
		2									
		1									

55917005-30

DWG. NO. SD-55917-005

F

E

D

C

B

A

DO NOT SCALE DRAWING

F

E

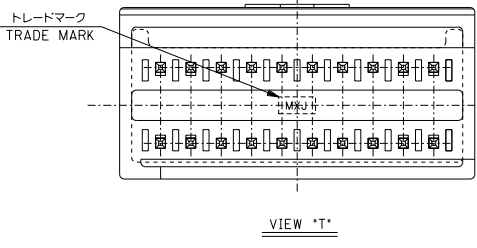
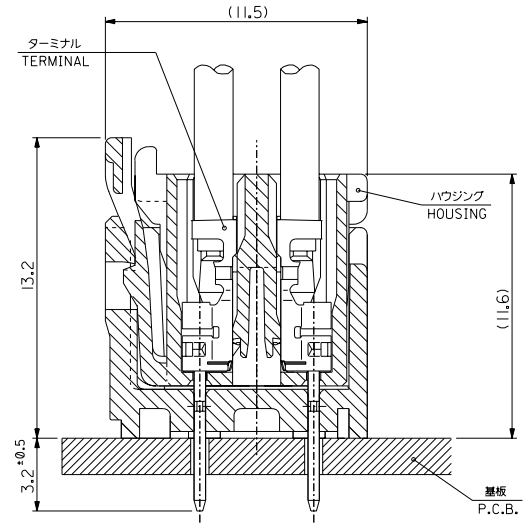
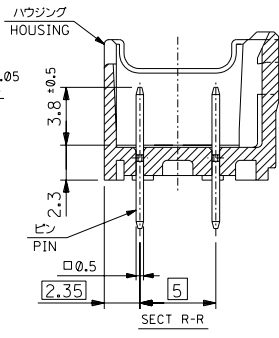
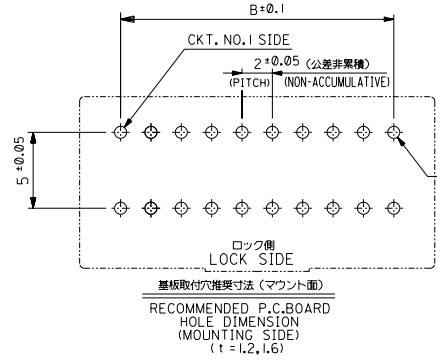
D

C

B

A

55917005.S02



無鉛
LEAD FREE

REV	8	REVISED DRAWN: J2003-3290 CHK: K.SAKAWA APPR: T.YAMAGUCHI	MATERIAL 材料 注記参照 SEE NOTES	GENERAL TOLERANCES: (UNLESS SPECIFIED) 一般公差	SCALE 4:1	DESIGN UNITS mm INCH	55917-***3*	MODEL NO. PROJECTION	DIMENSIONS: mm INCH	SHT 2	REV 2
	7	REVISED DRAWN: J2003-3134 CHK: K.SAKAWA APPR: T.YAMAGUCHI									
6	0	RELEASED DRAWN: J2002-1826 CHK: K.SAKAWA APPR: T.YAMAGUCHI	WIRE RANGE 適用電線範囲 //	10 OVER 30 UNDER 未滿 +0.25	CHECKED BY & DATE K.SAKAWA 03/06/26	APPROVED BY & DATE T.YAMAGUCHI 03/06/26	CAD FILENAME 55917005.S02	MATERIAL NO. SEE CHART	DRAWING NO. SD-55917-005	SHEET NO. 2 OF 2	SIZE B
5			INS. RANGE 接覆外径 //	30 OVER 以上 +0.3	ANGLE 角度	±3°	EN-02J(097) MXJ-54				