

Excellent Integrated System Limited

Stocking Distributor

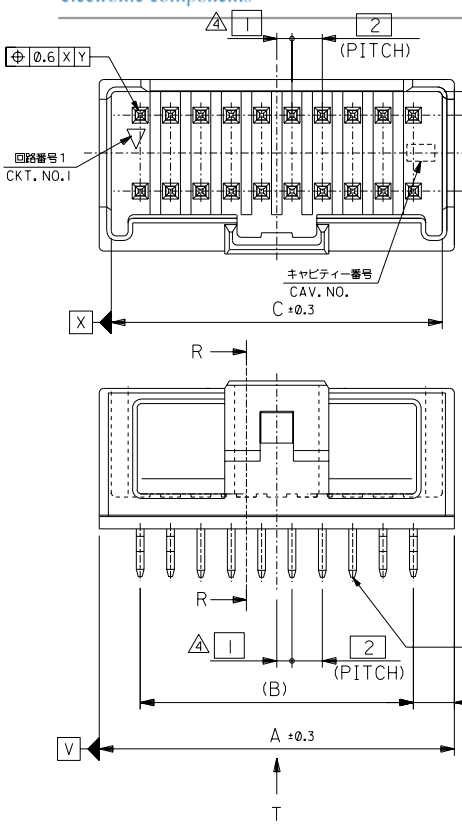
Click to view price, real time Inventory, Delivery & Lifecycle Information:

[Molex Connector Corporation](#)
[0559171630](#)

For any questions, you can email us directly:

sales@integrated-circuit.com

DWG. NO. SD-55917-005



注記 NOTES

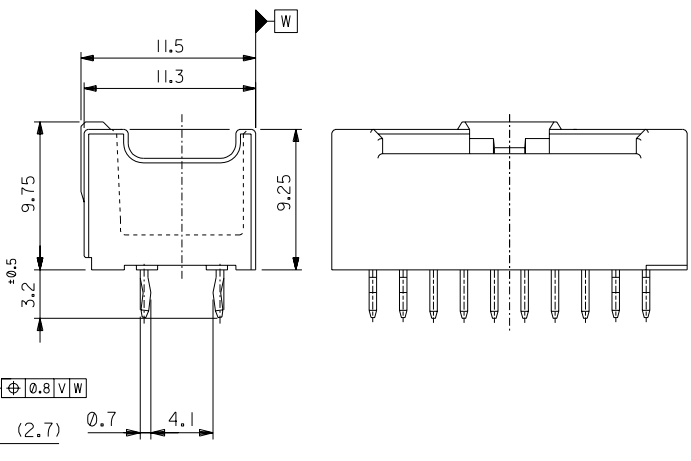
- 材料 MATERIAL
ピン : 鍍銀 ニッケル下地鍍メッキ
PIN : BRASS, Sn OVER NI PLATED
ハウジング : PBT (ガラス入り: 15%), UL94V-0
HOUSING : PBT(G.F.: 15%), UL94V-0
- 嵌合相手 : 51353シリーズ
MATE WITH : 51353 SERIES
- ソルダーテールキックは、両端の8ピンのみとする。
KINK TO BE APPLIED FOR 8 PINS AT BOTH ENDS.

△ (金銀数/2) = 偶数の場合に適用。
APPLY FOR (CIRCUIT/2)=EVEN

△ 製品番号 MATERIAL NO.
55917-***3*

極数 CIRCUIT SIZE 色 COLOR

ナチュラル(白) NATURAL(WHITE)	0
黒 BLACK	1
赤 RED	2
黄 YELLOW	3
青 BLUE	4
桃 PINK	5
緑 GREEN	6
茶 BROWN	7
橙 ORANGE	8
紫 VIOLET	9



無鉛
LEAD FREE

41.8	38	43.4	55917-403*	40
39.8	36	41.4	-383*	38
37.8	34	39.4	-363*	36
35.8	32	37.4	-343*	34
33.8	30	35.4	-323*	32
31.8	28	33.4	-303*	30
29.8	26	31.4	-283*	28
27.8	24	29.4	-263*	26
25.8	22	27.4	-243*	24
23.8	20	25.4	-223*	22
21.8	18	23.4	-203*	20
19.8	16	21.4	-183*	18
17.8	14	19.4	-163*	16
15.8	12	17.4	-143*	14
13.8	10	15.4	-123*	12
11.8	8	13.4	-103*	10
9.8	6	11.4	55917-083*	8
C	B	A	△ MATERIAL NO.	CKT.

DO NOT SCALE DRAWING

REV. DESCRIPTION	MATERIAL 材料	注記参照 SEE NOTES
7	FINISH 仕上げ	//
6	WIRE RANGE 適用電線範囲	//
5	INS. RANGE 絶縁外径	//

GENERAL TOLERANCES: (UNLESS SPECIFIED) 一般公差	SCALE 縮尺	DESIGN UNITS 設計単位
10 UNDER 未満	1:1	mm INCH
10 OVER 以上		
30 UNDER 未満		
30 OVER 以上		
ANGLE 角度		3°

55917-***3*	MODEL NO.
SCALE 縮尺	PROJECTION
DRAWN BY & DATE N.I.TO 02/02/28	TITLE: 2.0mm W-t-B DUAL CONN DIP PLUG HOUSING ASS'Y ST (WITHOUT BOSS)
CHECKED BY & DATE K.ASAKAWA 03/06/26	APPROVED BY & DATE T.YAMAGUCHI 03/06/26
CAD FILENAME 55917005,S01	MATERIAL NO. SEE CHART

MOLEX INCORPORATED	
DIMENSIONS: mm INCH	SHT 1 OF 2
REVISE ON CAD ONLY	SIZE B
EN-02JU(097)MXJ-54	

55917005.0

DWG. NO. SD-55917-005

F

E

D

C

B

A

DO NOT SCALE DRAWING

F

E

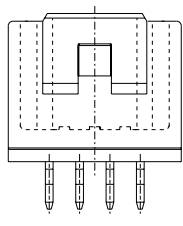
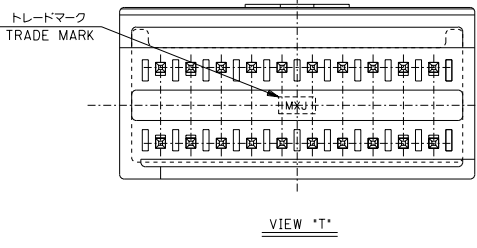
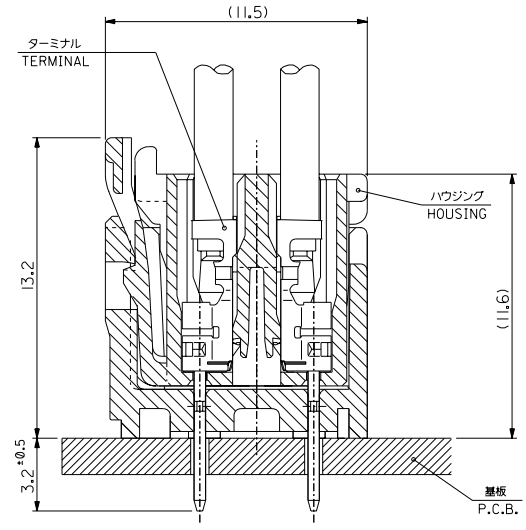
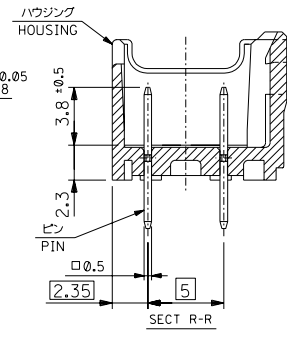
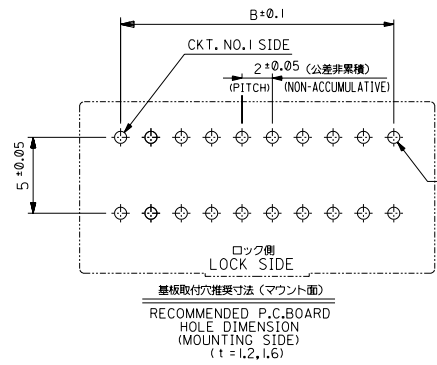
D

C

B

A

55917005.02



無鉛 LEAD FREE

REV	8	REVISED DRAWN: J2003-3290 CHK: K.SAKAWA APPR: T.YAMAGUCHI	MATERIAL 材料 注記参照 SEE NOTES	GENERAL TOLERANCES: (UNLESS SPECIFIED) 一般公差	SCALE 4:1	DESIGN UNITS mm INCH	55917-***3*	MODEL NO. PROJECTION	DIMENSIONS: mm INCH	SHT 2	REV 2
	7	REVISED DRAWN: J2003-3134 CHK: K.SAKAWA APPR: T.YAMAGUCHI									
	6	RELEASED DRAWN: J2002-1826 CHK: K.SAKAWA APPR: T.YAMAGUCHI	WIRE RANGE 適用電線範囲 //	10 OVER 30 UNDER 未満 +0.25	CHECKED BY & DATE K.SAKAWA 03/06/26	APPROVED BY & DATE T.YAMAGUCHI 03/06/26	CAD FILENAME 55917005.S02	MATERIAL NO. SEE CHART	DRAWING NO. SD-55917-005	SHEET NO. 2 OF 2	
	5		INS. RANGE 検査外径 //	30 OVER 以上 +0.3	ANGLE 角度 ±3°	THIS DRAWING CONTAINS INFORMATION THAT IS PROPRIETARY TO MOLEX INCORPORATED AND SHOULD NOT BE USED WITHOUT WRITTEN PERMISSION.		EN-02J(097) MXJ-54			