

Excellent Integrated System Limited

Stocking Distributor

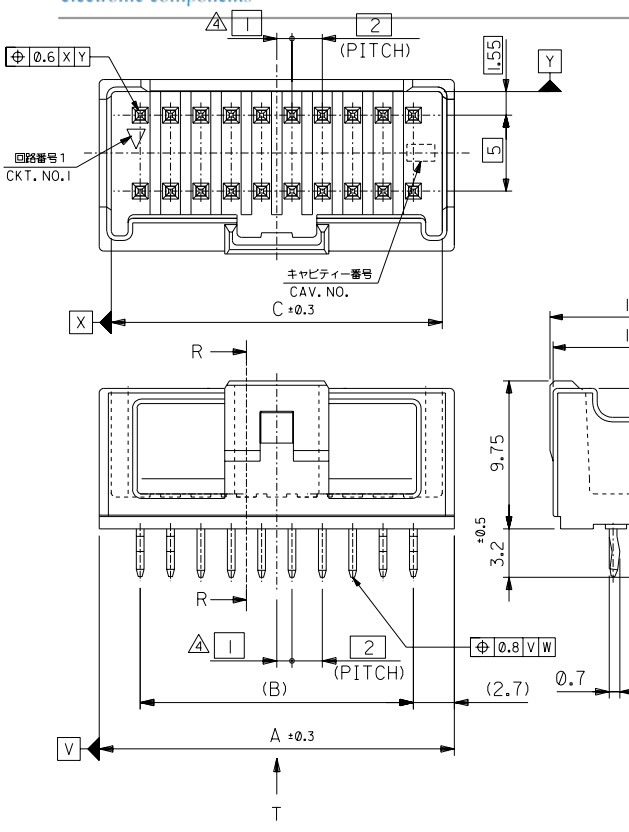
Click to view price, real time Inventory, Delivery & Lifecycle Information:

[Molex Connector Corporation](#)
[0559172430](#)

For any questions, you can email us directly:

sales@integrated-circuit.com

DWG. NO. SD-55917-005



注記 NOTES

- 材料 MATERIAL
ピン : 鍍銀 ニッケル下地メッキ
PIN : BRASS, Sn OVER NI PLATED
ハウジング : PBT (ガラス入り: 15%), UL94V-0
HOUSING : PBT(G.F.: 15%), UL94V-0
- 嵌合相手 : 51353シリーズ
MATE WITH : 51353 SERIES
- ソルダーテールキックは、両端の8ピンのみとする。
KINK TO BE APPLIED FOR 8 PINS AT BOTH ENDS.

△ (金個数/2) = 偶数の場合に適用。
APPLY FOR (CIRCUIT/2)=EVEN
△ 製品番号 MATERIAL NO.
55917-***3*
極数 CIRCUIT SIZE 色 COLOR

ナチュラル(白) NATURAL(WHITE)	0
黒 BLACK	1
赤 RED	2
黄 YELLOW	3
青 BLUE	4
桃 PINK	5
緑 GREEN	6
茶 BROWN	7
橙 ORANGE	8
紫 VIOLET	9

41.8	38	43.4	55917-403*	40
39.8	36	41.4	-383*	38
37.8	34	39.4	-363*	36
35.8	32	37.4	-343*	34
33.8	30	35.4	-323*	32
31.8	28	33.4	-303*	30
29.8	26	31.4	-283*	28
27.8	24	29.4	-263*	26
25.8	22	27.4	-243*	24
23.8	20	25.4	-223*	22
21.8	18	23.4	-203*	20
19.8	16	21.4	-183*	18
17.8	14	19.4	-163*	16
15.8	12	17.4	-143*	14
13.8	10	15.4	-123*	12
11.8	8	13.4	-103*	10
9.8	6	11.4	55917-083*	8
C	B	A	△ MATERIAL NO.	CKT.

無鉛
LEAD FREE

DO NOT SCALE DRAWING	REVISED DRAWN: N.ITO CHK: K.SAKAWA APPR: T.YAMAGUCHI	REVISED DRAWN: N.ITO CHK: K.SAKAWA APPR: T.YAMAGUCHI	REVISED DRAWN: N.ITO CHK: K.SAKAWA APPR: T.YAMAGUCHI	RELEASED DRAWN: N.ITO CHK: K.SAKAWA APPR: T.YAMAGUCHI	MATERIAL 材料 注記参照 SEE NOTES	GENERAL TOLERANCES: (UNLESS SPECIFIED) 一般公差	SCALE	DESIGN UNITS	MODEL NO. 55917-***3*	DIMENSIONS: PROJECTION	SHT REV	REVISE ON CAD ONLY		
							10 UNDER 未満	+0.2					DRAWN BY & DATE N.ITO 02/02/28	TITLE: 2.0mm W-t-B DUAL CONN DIP PLUG HOUSING ASS'Y ST (WITHOUT BOSS)
							10 OVER 以上	+0.25					CHECKED BY & DATE K.SAKAWA 03/06/26	
							30 UNDER 未満	+0.3					APPROVED BY & DATE T.YAMAGUCHI 03/06/26	
30 OVER 以上	+0.3	ANGLE 角度	3°	MATERIAL NO. SEE CHART	DRAWING NO. SD-55917-005	SHEET NO. 1 OF 2								
INS. RANGE 検査外径												SIZE B		

DO NOT SCALE DRAWING

DWG. NO. SD-55917-005

F

E

D

C

B

A

8

F

E

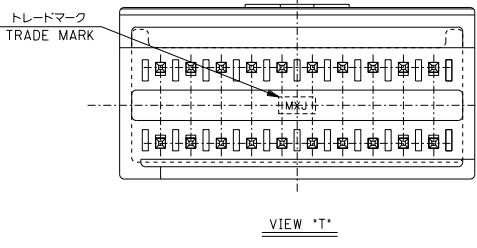
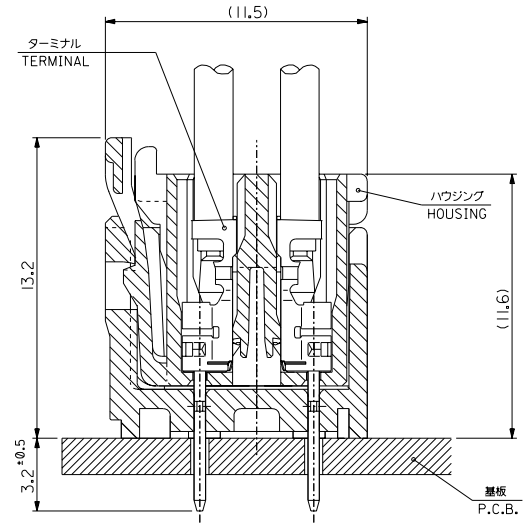
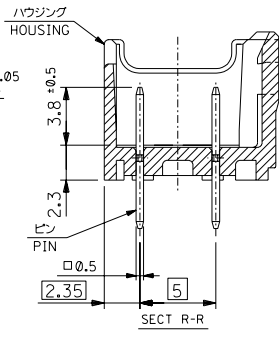
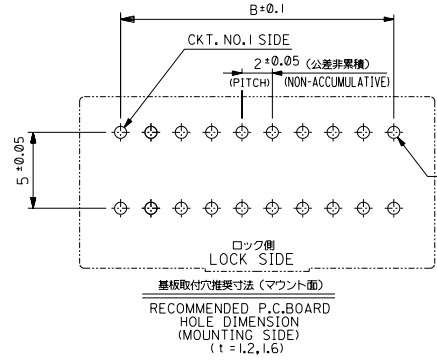
D

C

B

A

8



無鉛
LEAD FREE

REV	8	REVISED	55917-***3*	SCALE 4:1	DESIGN UNITS mm INCH	MODEL NO.	DIMENSIONS: mm INCH	SHT 2	REV 2
	7	REVISOR: K.SAKAWA	02/02/28	DRAWN BY & DATE N.ITO	PROJECTION	2.0mm W-t-B DUAL CONN DIP PLUG HOUSING ASS'Y ST (WITHOUT BOSS)	MOLEX INCORPORATED	2 OF 2	2
6	0	RELEASED	02/02/28	CHECKED BY & DATE K.SAKAWA	APPROVED BY & DATE T.YAMAGUCHI	MATERIAL NO. SEE CHART	DRAWING NO. SD-55917-005	SHEET NO. 2 OF 2	
5	5	注記参照 SEE NOTES	02/02/28	APPROVED BY & DATE T.YAMAGUCHI	CAD FILENAME 55917005.S02	DRAWING NO. SD-55917-005		SIZE B	
4	4	注記参照 SEE NOTES	02/02/28	APPROVED BY & DATE T.YAMAGUCHI	MATERIAL NO. SEE CHART		DRAWING NO. SD-55917-005		55917005.S02
3	3	注記参照 SEE NOTES	02/02/28	APPROVED BY & DATE T.YAMAGUCHI	MATERIAL NO. SEE CHART		DRAWING NO. SD-55917-005		EN-02J(097)MXJ-54
2	2	注記参照 SEE NOTES	02/02/28	APPROVED BY & DATE T.YAMAGUCHI	MATERIAL NO. SEE CHART		DRAWING NO. SD-55917-005		
1	1	注記参照 SEE NOTES	02/02/28	APPROVED BY & DATE T.YAMAGUCHI	MATERIAL NO. SEE CHART		DRAWING NO. SD-55917-005		

55917005.S02

EN-02J(097)MXJ-54