

## Excellent Integrated System Limited

Stocking Distributor

Click to view price, real time Inventory, Delivery & Lifecycle Information:

[Molex Connector Corporation](#)  
[0559172830](#)

For any questions, you can email us directly:

[sales@integrated-circuit.com](mailto:sales@integrated-circuit.com)



DO NOT SCALE DRAWING

DWG. NO. SD-55917-005

F

E

D

C

B

A

8

F

E

D

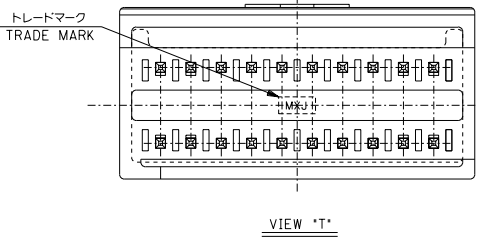
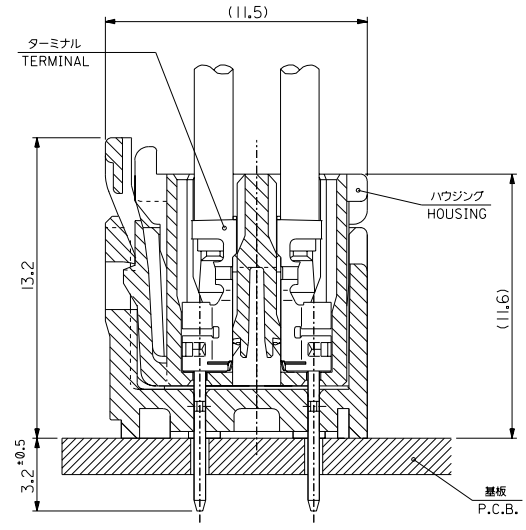
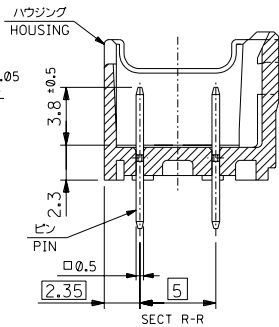
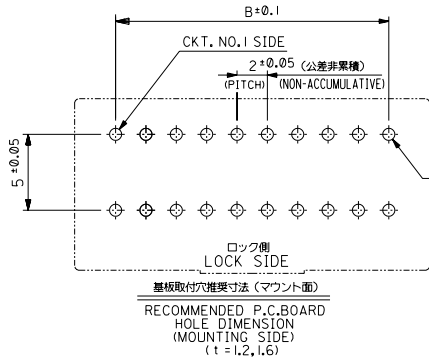
C

B

A

8

55917005.S02



無鉛  
LEAD FREE

REV.	8	REVISED DRAWN: J2003-3290 CHK: K.SAKAWA APPR: T.YAMAGUCHI	MATERIAL 材料 注記参照 SEE NOTES	GENERAL TOLERANCES: (UNLESS SPECIFIED) 一般公差	SCALE 4:1	DESIGN UNITS mm INCH	55917-***3*	MODEL NO. PROJECTION	DIMENSIONS: mm INCH	SHT 2	REV 2
	7	REVISED DRAWN: J2003-3134 CHK: K.SAKAWA APPR: T.YAMAGUCHI									
	6	RELEASED DRAWN: J2002-1826 CHK: K.SAKAWA APPR: T.YAMAGUCHI	WIRE RANGE 適用電線範囲 //	10 OVER 30 UNDER 未滿 +0.25	CHECKED BY & DATE K.SAKAWA 03/06/26	APPROVED BY & DATE T.YAMAGUCHI 03/06/26	CAD FILENAME 55917005.S02	MATERIAL NO. SEE CHART	DRAWING NO. SD-55917-005	SHEET NO. 2 OF 2	
	5		INS. RANGE 検査外径 //	30 OVER 以上 +0.3	ANGLE 角度 ±3°	THIS DRAWING CONTAINS INFORMATION THAT IS PROPRIETARY TO MOLEX INCORPORATED AND SHOULD NOT BE USED WITHOUT WRITTEN PERMISSION.		EN-02J(097) MXJ-54			