

## Excellent Integrated System Limited

Stocking Distributor

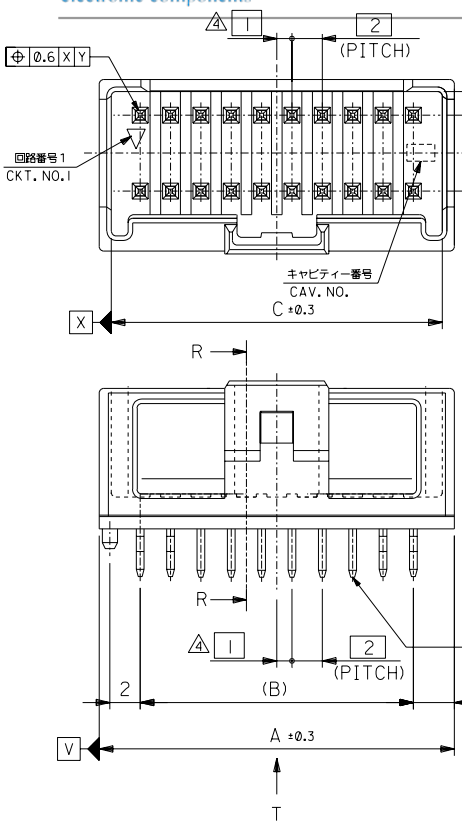
Click to view price, real time Inventory, Delivery & Lifecycle Information:

[Molex Connector Corporation](#)  
[0559173210](#)

For any questions, you can email us directly:

[sales@integrated-circuit.com](mailto:sales@integrated-circuit.com)

DWG. NO. SD-55917-003



注記 NOTES

- 材料 MATERIAL  
ピン : 黄銅、ニッケル下地鍍メッキ  
PIN : BRASS, Sn OVER NI PLATED  
ハウジング : PBT (ガラス入り: 15%), UL94V-0  
HOUSING : PBT(G.F.: 15%), UL94V-0
- 嵌合相手 : 51353シリーズ  
MATE WITH : 51353 SERIES
- ソルダーテールキックは、両端の8ピンのみとする。  
KINK TO BE APPLIED FOR 8 PINS AT BOTH ENDS.

△ (金個数/2) = 偶数の場合に適用。  
APPLY FOR (CIRCUIT/2)=EVEN  
△ 製品番号 MATERIAL NO.  
55917-\*\*\*  
極数 CIRCUIT SIZE | 色 COLOR

ナチュラル(白) NATURAL(WHITE)	0
黒 BLACK	1
赤 RED	2
黄 YELLOW	3
青 BLUE	4
桃 PINK	5
緑 GREEN	6
茶 BROWN	7
橙 ORANGE	8
紫 VIOLET	9

41.8	38	43.4	55917-40*	40
39.8	36	41.4	-38*	38
37.8	34	39.4	-36*	36
35.8	32	37.4	-34*	34
33.8	30	35.4	-32*	32
31.8	28	33.4	-30*	30
29.8	26	31.4	-28*	28
27.8	24	29.4	-26*	26
25.8	22	27.4	-24*	24
23.8	20	25.4	-22*	22
21.8	18	23.4	-20*	20
19.8	16	21.4	-18*	18
17.8	14	19.4	-16*	16
15.8	12	17.4	-14*	14
13.8	10	15.4	-12*	12
11.8	8	13.4	-10*	10
9.8	6	11.4	55917-08*	8
C	B	A	△ MATERIAL NO.	CKT.

無鉛  
LEAD FREE

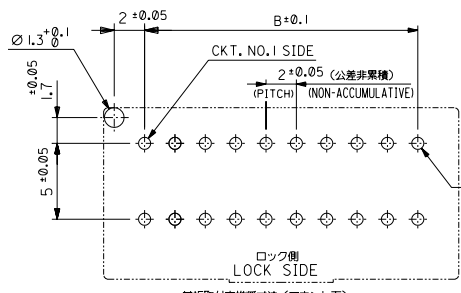
REVISED	REVISION	DATE	BY	CHK	APP
D	REVISED	03/06/26	N.ITO	K.ASAKAWA	T.YAMAGUCHI
C	REVISED	03/06/19	N.ITO	K.ASAKAWA	T.YAMAGUCHI
B	REVISED	02/03/18	N.ITO	K.ASAKAWA	T.YAMAGUCHI
A	REVISED	02/02/28	N.ITO	K.ASAKAWA	T.YAMAGUCHI
0	RELEASED	01/02/17	N.ITO	K.ASAKAWA	T.YAMAGUCHI

MATERIAL	注記参照
FINISH	//
WIRE RANGE	//
INS. RANGE	//

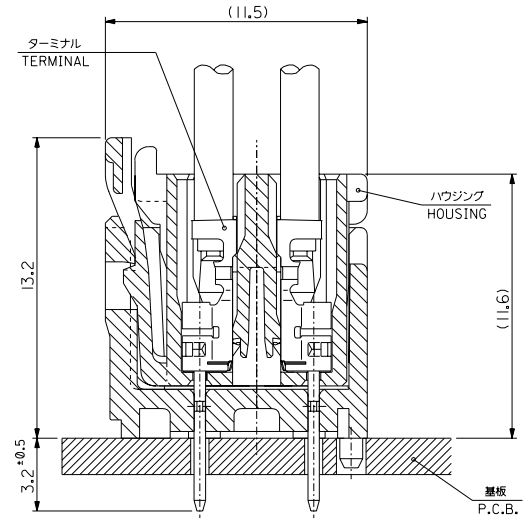
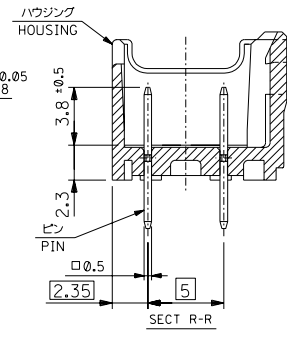
GENERAL TOLERANCES:	SCALE	DESIGN UNITS
(UNLESS SPECIFIED)	1:1	mm INCH
10 UNDER	+0.2	DRAWN BY & DATE
10 OVER	+0.25	N.ITO 01/02/17
30 UNDER	+0.3	CHECKED BY & DATE
30 OVER	+0.3	K.ASAKAWA 03/06/26
ANGLE	±3°	APPROVED BY & DATE
		T.YAMAGUCHI 03/06/26
		CAD FILENAME
		55917003.S01

MODEL NO.	55917-***	DIMENSIONS:	SHT	REV
PROJECTION	ANGLE	mm INCH	1	2
PROJECTION	ANGLE	mm INCH	1	2
TITLE:				
2.0mm W-t-B DUAL CONN DIP				
PLUG HOUSING ASS'Y ST (WITH BOSS)				
MOLEX INCORPORATED				
MATERIAL NO.	SEE CHART	DRAWING NO.	SHEET NO.	SIZE
SEE CHART	SEE CHART	SD-55917-003	1 OF 2	B
EN-02JU(097)MXJ-54				

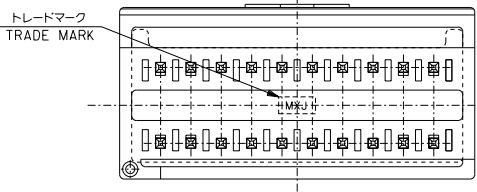
DO NOT SCALE DRAWING



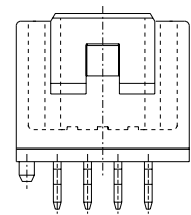
LOCK SIDE  
 基板取付穴推奨寸法 (マウント面)  
 RECOMMENDED P.C. BOARD  
 HOLE DIMENSION  
 (MOUNTING SIDE)  
 (t = 1.6)



嵌合断面図 (参考)  
 MATED DRAWING (REF.)



VIEW \*T\*



8 CIRCUIT

無鉛  
 LEAD FREE

REVISED	55917-***1	MODEL NO.	DIMENSIONS:		SHT	REV
	SCALE 4:1	DESIGN UNITS	BOARD ANGLE PROJECTION	mm INCH	mm ONLY	REVISE ON CAD ONLY
D	REVISION NO. J2003-3290 DRAWN/ITTO CHK: K. KASAKAWA APPR: T. YAMAGUCHI	DRAWN BY & DATE N. ITO 01/12/17	TITLE: 2.0mm W-t-B DUAL CONN DIP PLUG HOUSING ASS'Y ST (WITH BOSS)		SHEET NO. 2 OF 2	
C	REVISION NO. J2003-3134 DRAWN/ITTO CHK: K. KASAKAWA APPR: T. YAMAGUCHI	CHECKED BY & DATE K. KASAKAWA 03/06/26	MOLEX INCORPORATED		SIZE B	
B	REVISION NO. J2002-2307 DRAWN/ITTO CHK: K. KASAKAWA APPR: T. YAMAGUCHI	APPROVED BY & DATE T. YAMAGUCHI 03/06/26	MATERIAL NO. SEE CHART	DRAWING NO. SD-55917-003	EN-02J(097) MXJ-54	
A	REVISION NO. J2002-1826 DRAWN/ITTO CHK: K. KASAKAWA APPR: T. YAMAGUCHI	CAD FILENAME 55917003.S02	DRAWING NO. SD-55917-003		SHEET NO. 2 OF 2	
0	RELEASED REVISION NO. J2002-1196 DRAWN/ITTO CHK: K. KASAKAWA APPR: T. YAMAGUCHI	GENERAL TOLERANCES: (UNLESS SPECIFIED) 10 UNDER 未滿 +0.2 10 OVER 以上 30 UNDER 未滿 +0.25 30 OVER 以上 +0.3 ANGLE 角度 ±3°		DRAWING NO. SD-55917-003		
REV	DESCRIPTION	MATERIAL 材料		DRAWING NO. SD-55917-003		
		FINISH 仕上げ //		DRAWING NO. SD-55917-003		
		WIRE RANGE 適用電線範囲 //		DRAWING NO. SD-55917-003		
		INS. RANGE 適用外皮 //		DRAWING NO. SD-55917-003		
		注記参照 SEE NOTES		DRAWING NO. SD-55917-003		

55917003.S02