

## Excellent Integrated System Limited

Stocking Distributor

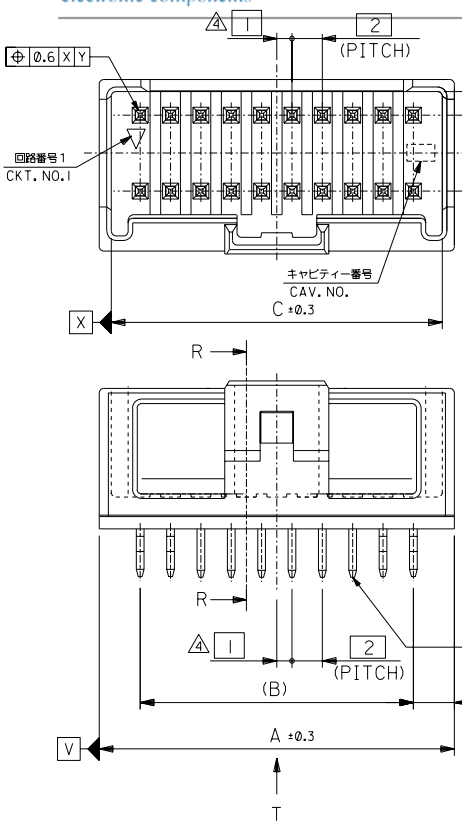
Click to view price, real time Inventory, Delivery & Lifecycle Information:

[Molex Connector Corporation](#)  
[0559173230](#)

For any questions, you can email us directly:

[sales@integrated-circuit.com](mailto:sales@integrated-circuit.com)

DWG. NO. SD-55917-005



注記 NOTES

- 材料 MATERIAL  
 ピン : 鍍銀 ニッケル下地鍍メッキ  
 PIN : BRASS, Sn OVER NI PLATED  
 ハウジング : PBT (ガラス入り: 15%), UL94V-0  
 HOUSING : PBT(G.F.: 15%), UL94V-0
- 嵌合相手 : 51353シリーズ  
 MATE WITH : 51353 SERIES
- ソルダーテールキックは、両端の8ピンのみとする。  
 KINK TO BE APPLIED FOR 8 PINS AT BOTH ENDS.

△ (金銀数/2) = 偶数の場合に適用。  
 APPLY FOR (CIRCUIT/2)=EVEN  
 △ 製品番号 MATERIAL NO.  
 55917-\*\*\*3\*  
 極数 CIRCUIT SIZE 色 COLOR

ナチュラル(白) NATURAL(WHITE)	0
黒 BLACK	1
赤 RED	2
黄 YELLOW	3
青 BLUE	4
桃 PINK	5
緑 GREEN	6
茶 BROWN	7
橙 ORANGE	8
紫 VIOLET	9

41.8	38	43.4	55917-403*	40
39.8	36	41.4	-383*	38
37.8	34	39.4	-363*	36
35.8	32	37.4	-343*	34
33.8	30	35.4	-323*	32
31.8	28	33.4	-303*	30
29.8	26	31.4	-283*	28
27.8	24	29.4	-263*	26
25.8	22	27.4	-243*	24
23.8	20	25.4	-223*	22
21.8	18	23.4	-203*	20
19.8	16	21.4	-183*	18
17.8	14	19.4	-163*	16
15.8	12	17.4	-143*	14
13.8	10	15.4	-123*	12
11.8	8	13.4	-103*	10
9.8	6	11.4	55917-083*	8
C	B	A	△ MATERIAL NO.	CKT.

無鉛  
LEAD FREE

DO NOT SCALE DRAWING

REV. NO.	REVISED	MATERIAL	注記参照
0	RELEASED	材料	SEE NOTES
A	REVISED	FINISH	//
B	REVISED	WIRE RANGE	//
C	REVISED	INS. RANGE	//

GENERAL TOLERANCES: (UNLESS SPECIFIED)	SCALE	DESIGN UNITS
10 UNDER 未滿	1:1	mm
10 OVER 以上	1:1	mm
30 UNDER 未滿	1:1	mm
30 OVER 以上	1:1	mm
ANGLE 角度	1:1	°

55917-***3*	MODEL NO.	DIMENSIONS:	SHT	REV
SCALE	PROJECTION	mm	1	1
1:1	1st ANGLE	INCH	2	2
		mm		

DRAWN BY & DATE		TITLE:	
N.I.TO	02/02/28	2.0mm W-t-B DUAL CONN DIP	
CHECKED BY & DATE		PLUG HOUSING ASS'Y ST (WITHOUT BOSS)	
K.ASAKAWA	03/06/26	MOLEX INCORPORATED	
APPROVED BY & DATE		MATERIAL NO.	DRAWING NO.
T.YAMAGUCHI	03/06/26	SEE CHART	SD-55917-005
CAD FILENAME	55917005,S01	SHEET NO.	1 OF 2
THIS DRAWING CONTAINS INFORMATION THAT IS PROPRIETARY TO MOLEX INCORPORATED AND SHOULD NOT BE USED WITHOUT WRITTEN PERMISSION.		SIZE	B
			EN-02JU(097)MXJ-54

55917005.0

DO NOT SCALE DRAWING

DWG. NO. SD-55917-005

F

E

D

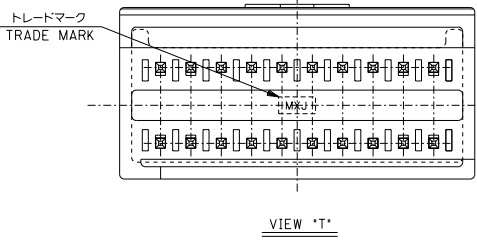
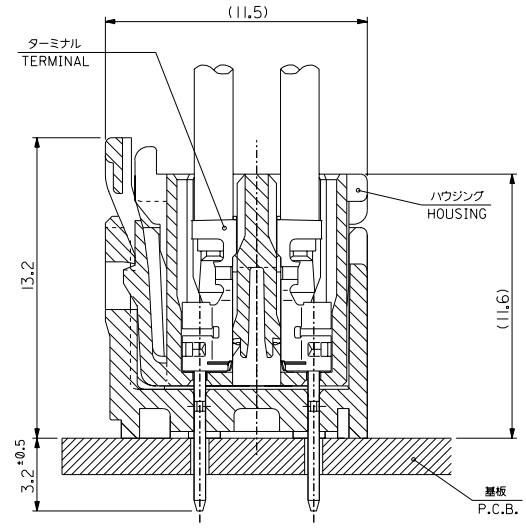
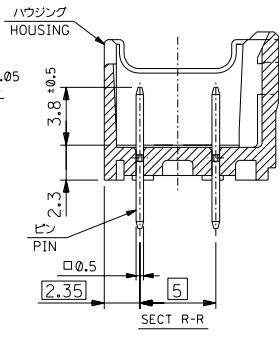
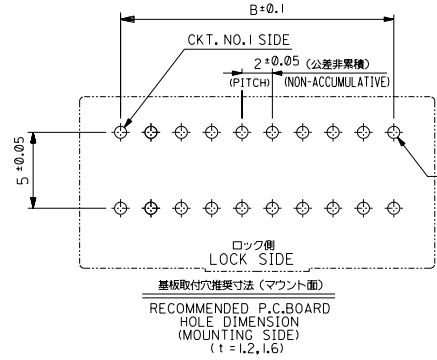
C

B

A

8  
7  
6  
5  
4  
3  
2

F  
E  
D  
C  
B  
A



無鉛  
LEAD FREE

8 REVISED 03/NO. J2003-3290 DRAWN/LITO CH'K: K.SAKAWA APPR: T.YAMAGUCHI REVISED 02/NO. J2003-3134 DRAWN/LITO CH'K: K.SAKAWA APPR: T.YAMAGUCHI REVISED 02/NO. J2002-2307 DRAWN/LITO CH'K: K.SAKAWA APPR: T.YAMAGUCHI RELEASED 02/NO. J2002-1826 DRAWN/LITO CH'K: K.SAKAWA APPR: T.YAMAGUCHI	7 0 MATERIAL 材料 注記参照 SEE NOTES FINISH 仕上げ // WIRE RANGE 適用電線範囲 // INS. RANGE 被覆外径 //	5 GENERAL TOLERANCES: (UNLESS SPECIFIED) 一般公差 10 UNDER 未満 +0.2 10 OVER 以上 30 UNDER 未満 +0.25 30 OVER 以上 +0.3 ANGLE 角度 ±3°	3 55917-***3* SCALE 4:1 DESIGN UNITS mm INCH DRAWN BY & DATE N.ITO 02/02/28 CHECKED BY & DATE K.SAKAWA 03/06/26 APPROVED BY & DATE T.YAMAGUCHI 03/06/26 CAD FILENAME 55917005.S02	2 MODEL NO. BOARD ANGLE PROJECTION TITLE: 2.0mm W-t-B DUAL CONN DIP PLUG HOUSING ASS'Y ST (WITHOUT BOSS) MOLEX INCORPORATED MATERIAL NO. SEE CHART DRAWING NO. SD-55917-005	DIMENSIONS: mm INCH mm INCH mm ONLY	SHT 2 REV 2 REVISE ON CAD ONLY	SHEET NO. 2 OF 2 SIZE B