

## Excellent Integrated System Limited

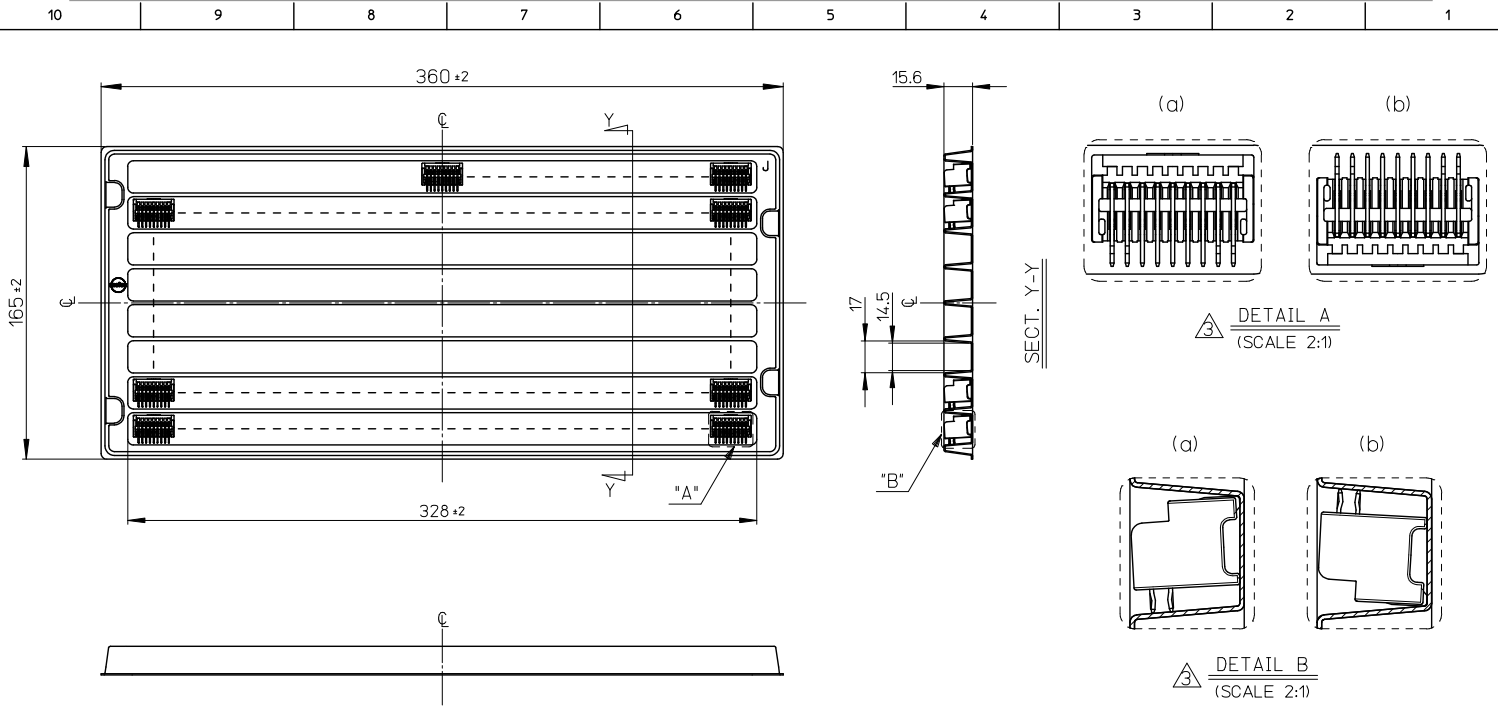
Stocking Distributor

Click to view price, real time Inventory, Delivery & Lifecycle Information:

[Molex Connector Corporation](#)  
[0559593230](#)

For any questions, you can email us directly:

[sales@integrated-circuit.com](mailto:sales@integrated-circuit.com)



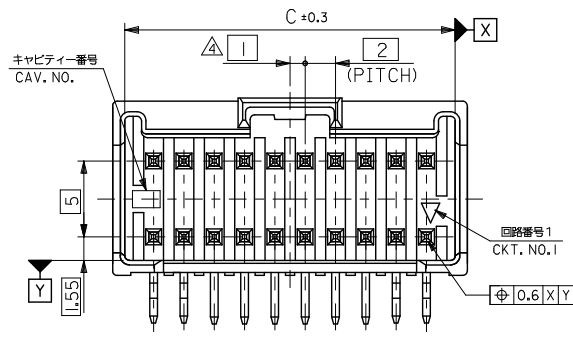
**注記**

1. 一般公差: ±0.5  
GENERAL TOLERANCES: ±0.5
  2. 各部の反りは2.0MAX.  
WARP: 2.0MAX.
- △ トレイ中の製品の向きは(a)又は(b)とし、かつ同一トレイ中の製品の向きはどちらか一方で統一  
PRODUCT DIRECTION SHOULD BE (a) OR (b). ALL PRODUCTS MUST FACED THE SAME DIRECTION IN THE TRAY.

55959-\*\*7\*  
55959-\*\*3\*  
適用製品番号  
APPLICABLE PART No.

RELEASED EC NO. J2009-0955 DRAWN: TOKUZONO 2008/10/20 CHKD: HARUYAMA 2008/10/20 APPR: UKITA 2008/10/20	GENERAL TOLERANCES (UNLESS SPECIFIED)		DIMENSION STYLE	SCALE	DESIGN UNITS	THIRD ANGLE PROJECTION
	10 UNDER ±---		MM ONLY	1:2	METRIC	
	10 OVER 30 UNDER ±---		DRAWN BY DATE	TITLE		
	30 OVER ±---		Y. TOKUZONO 2008/10/17	TRAY FOR 55959 (2.0MM W-T-B DUAL CONN. DIP PLUG HOUSING ASS'Y)		
ANGULAR ±---°		CHECKED BY DATE	APPROVED BY DATE		MOLEX INCORPORATED	
DRAFT WHERE APPLICABLE MUST REMAIN WITHIN DIMENSIONS		T. HARUYAMA 2008/10/17	N. UKITA 2008/10/17			
REV 0		MATERIAL NO.	098910030	DOCUMENT NO.	SD-55959-001	SHEET NO. 1 OF 1
THIS DRAWING CONTAINS INFORMATION THAT IS PROPRIETARY TO MOLEX INCORPORATED AND SHOULD NOT BE USED WITHOUT WRITTEN PERMISSION						

10 9 8 7 6 5 4 3 2 1

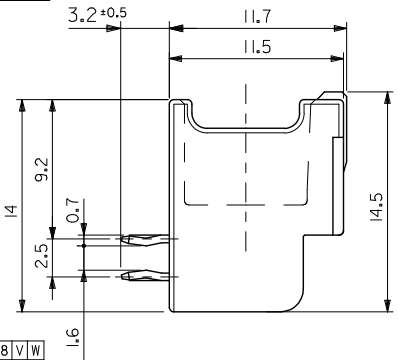
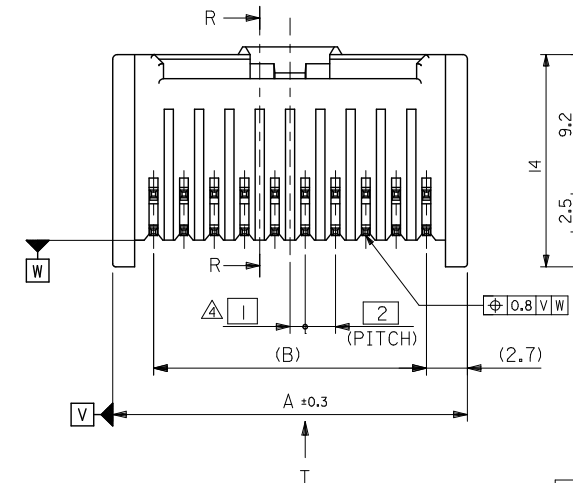


**注記 NOTES**

1. 材料 MATERIAL  
ピン : 銅めっき  
PIN : BRASS, TIN PLATING  
ハウジング : PBT (ガラス入り: 15%), UL94V-0  
HOUSING : PBT(G.F.: 15%), UL94V-0
2. 適合相手 : 51353シリーズ  
MATE WITH : 51353 SERIES
3. ソルダテールキングは、両端の8ピンのみとする。  
KINK TO BE APPLIED FOR 8 PINS AT BOTH ENDS.

△ (全極数/2) = 偶数の場合に適用。  
APPLY FOR (CIRCUIT/2)=EVEN  
製品番号 MATERIAL NO.  
**5959-\*\*\*3\***  
極数 CIRCUIT SIZE | 色 COLOR  
6. ELV 及びRoHS適合品  
ELV AND RoHS COMPLIANT

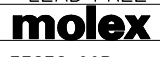
ナチュラル (白) NATURAL(WHITE)	0
黒 BLACK	1
赤 RED	2
黄 YELLOW	3
青 BLUE	4
桃 PINK	5
緑 GREEN	6
茶 BROWN	7
橙 ORANGE	8
紫 VIOLET	9



41.8	38	43.4	5959-403*	40
39.8	36	41.4	-383*	38
37.8	34	39.4	-363*	36
35.8	32	37.4	-343*	34
33.8	30	35.4	-323*	32
31.8	28	33.4	-303*	30
29.8	26	31.4	-283*	28
27.8	24	29.4	-263*	26
25.8	22	27.4	-243*	24
23.8	20	25.4	-223*	22
21.8	18	23.4	-203*	20
19.8	16	21.4	-183*	18
17.8	14	19.4	-163*	16
15.8	12	17.4	-143*	14
13.8	10	15.4	-123*	12
11.8	8	13.4	-103*	10
9.8	6	11.4	5959-083*	8

5959-***3*			
CONNECTOR SERIES NO.			
C	B	A	△ MATERIAL NO. ORDER NO.

REVISED EC NO. J2014-1085 DRAWN:TAJIMA01 2014/01/09 CHKD: APPROV:MIKITA 2014/01/09	GENERAL TOLERANCES (UNLESS SPECIFIED)		DIMENSION STYLE MM ONLY	SCALE ---	DESIGN UNITS METRIC	THIRD ANGLE PROJECTION
	10 UNDER	± 0.2	DRAWN BY	DATE	TITLE	2.0 W-B CONN. DUAL DIP PLUG HSG ASS'Y R/A -LEAD FREE-
	10 OVER 30 UNDER	± 0.25	CHECKED BY	DATE		
	30 OVER	± 0.3	APPROVED BY	DATE		
ANGULAR	± 3 °	MATERIAL NO.	DOCUMENT NO.	SEE NOTES		
DRAFT WHERE APPLICABLE MUST REMAIN WITHIN DIMENSIONS		THIS DRAWING CONTAINS INFORMATION THAT IS PROPRIETARY TO MOLEX INCORPORATED AND SHOULD NOT BE USED WITHOUT WRITTEN PERMISSION				

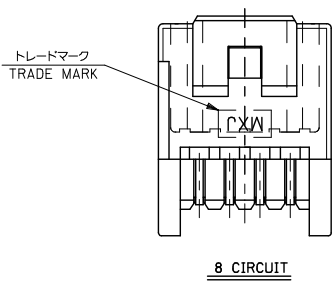
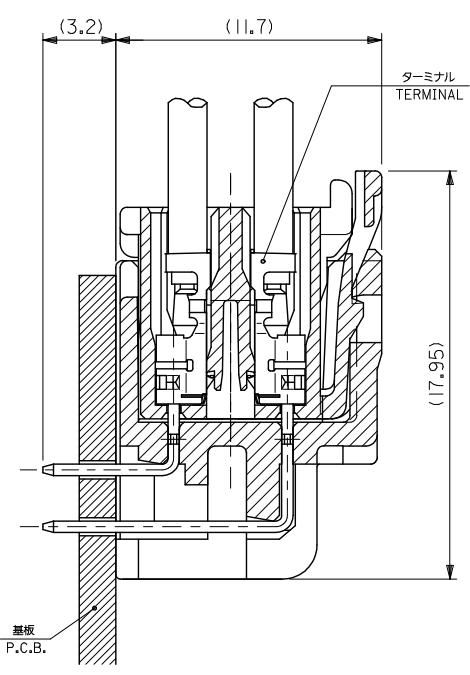
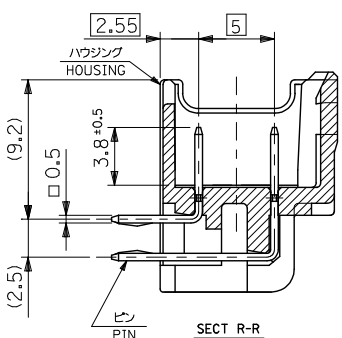
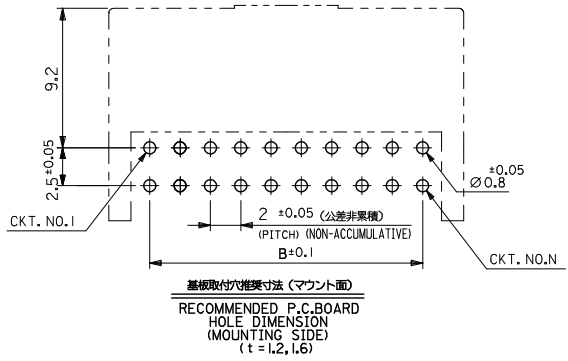


SD-5959-003 SHEET NO. 1 OF 3

9 8 7 6 5 4 3 2 1

10 9 8 7 6 5 4 3 2 1

F  
E  
D  
C  
B  
A

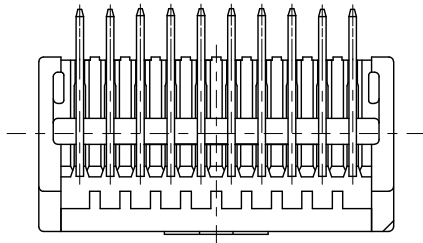


嵌合断面図 (参考)  
MATED DRAWING (REF.)

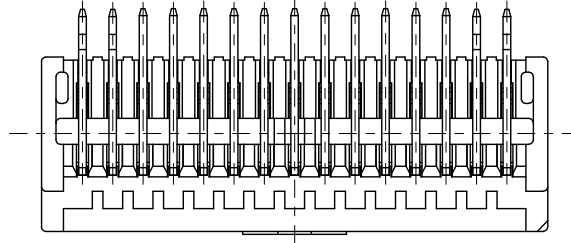
REVISED EC NO: J2014-1085 DRAWN: YAJI MAO1 CHKD: CHIKO APPROV: NIKITA 2014/01/09	GENERAL TOLERANCES (UNLESS SPECIFIED)		DIMENSION STYLE MM ONLY		SCALE ---	DESIGN UNITS METRIC	CONNECTOR SERIES NO.
	10 UNDER	± 0.2	DRAWN BY	DATE	TITLE		
	10 OVER 30 UNDER	± 0.25	CHECKED BY	DATE	2.0 W-B CONN. DUAL DIP PLUG HSG ASS'Y R/A -LEAD FREE-		
	30 OVER	± 0.3	APPROVED BY	DATE	<b>molex</b>		
	ANGULAR ± 3 °	DRAFT WHERE APPLICABLE MUST REMAIN WITHIN DIMENSIONS		MATERIAL NO.	DOCUMENT NO.	SHEET NO.	
				SIZE A3	SEE SHEET 1		SD-55959-003
				THIS DRAWING CONTAINS INFORMATION THAT IS PROPRIETARY TO MOLEX INCORPORATED AND SHOULD NOT BE USED WITHOUT WRITTEN PERMISSION			

9 8 7 6 5 4 3 2 1

10 9 8 7 6 5 4 3 2 1

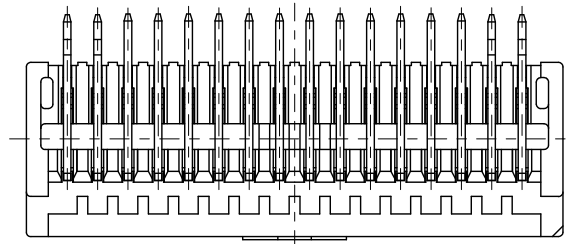


8-20 CIRCUIT



22,26,30,34,38 CIRCUIT

VIEW "T"



24,28,32,36,40 CIRCUIT

REVISED EC NO: J2014-1085 DRAWN: TAJI MAO1 CHKD: APPR: MIKITA 2014/01/09	GENERAL TOLERANCES (UNLESS SPECIFIED)		DIMENSION STYLE MM ONLY		SCALE ---	55959-***3*	CONNECTOR SERIES NO.
	10 UNDER	± 0.2	DRAWN BY	DATE	DESIGN UNITS METRIC	THIRD ANGLE PROJECTION	
	10 OVER 30 UNDER	± 0.25	CHECKED BY	DATE	TITLE 2.0 W-B CONN. DUAL DIP PLUG HSG ASS'Y R/A -LEAD FREE-		
	30 OVER	± 0.3	APPROVED BY	DATE	MATERIAL NO. SEE SHEET 1		
ANGULAR ± 3 °		DRAFT WHERE APPLICABLE MUST REMAIN WITHIN DIMENSIONS		DOCUMENT NO. SD-55959-003		SHEET NO. 3 OF 3	
THIS DRAWING CONTAINS INFORMATION THAT IS PROPRIETARY TO MOLEX INCORPORATED AND SHOULD NOT BE USED WITHOUT WRITTEN PERMISSION							

9 8 7 6 5 4 3 2