

## Excellent Integrated System Limited

Stocking Distributor

Click to view price, real time Inventory, Delivery & Lifecycle Information:

[Molex Connector Corporation](#)

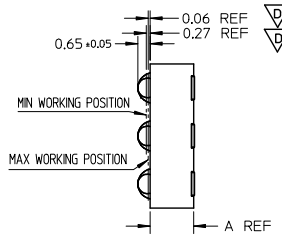
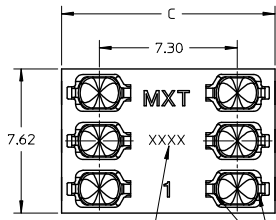
[0676872950](#)

For any questions, you can email us directly:

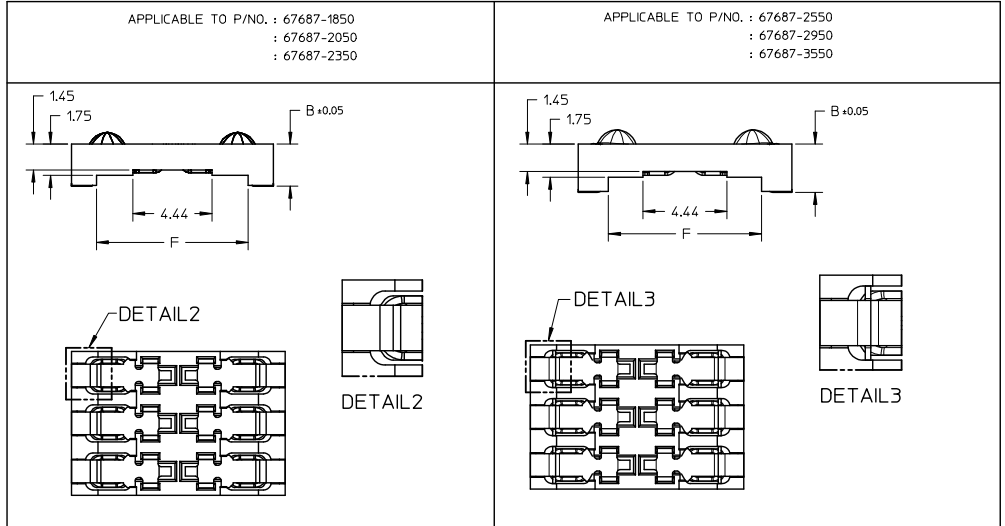
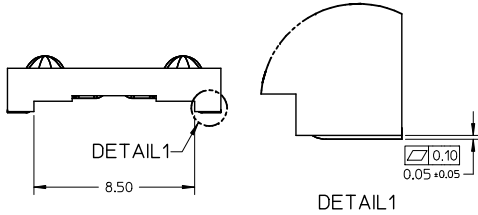
[sales@integrated-circuit.com](mailto:sales@integrated-circuit.com)

DIMENSION F	DIMENSION E	DIMENSION D	DIMENSION C	DIMENSION A	PART NUMBER
8.50	9.95	1.00	11.30	1.80	67687-1850
	10.05	1.20	11.70	2.00	67687-2050
	9.95	1.00	11.30	2.30	67687-2350
8.10	9.95	1.00	11.30	2.45	67687-2550
	9.95	1.00	11.30	2.90	67687-2950
	9.95	1.00	11.30	3.50	67687-3550

\*.DIMB=DIMA+0.05



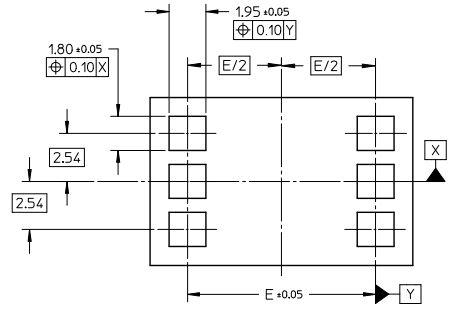
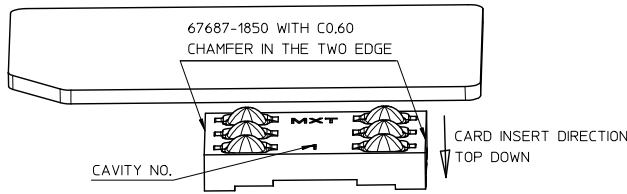
DATE CODE (INK JET) - VISIBLE AREA  
 X X X X \_ DAY COUNTED FROM FIRST  
 I \_ \_ \_ DAY OF THE YEAR  
 L \_ \_ \_ YEAR  
 EX. 2002/01/15-->2015  
 2002/02/10-->2041  
 2003/03/10-->3069



- NOTES:
- MATERIAL:  
HOUSING: HIGH TEMPERATURE PLASTIC.  
TERMINAL: COPPER ALLOY
  - PLATING:  
CONTACT AREA PLATING:  
30µ" MIN GOLD OVER 50µ" MIN NICKEL PLATING  
SOLDERING AREA PLATING:  
100µ" MIN PURE TIN OVER 50µ" MIN NICKEL PLATING  
VISIBLE AREA PLATING:  
GOLD FLASH OVER 50µ" MIN NICKEL PLATING
  - PACKAGING: TAPE REEL
  - PRODUCT SPECIFICATION: PS-67687-001
  - COMPLIANT TO RoHS DIRECTIVE 2002/95/EC AND ELV DIRECTIVE 2000/53/EC.

ADD VIEW EC NO. S2013-0219 DRAWN: JIAN02 CHKD: FCS00 APPR: KIL116 2012/11/05 2012/11/07 2012/11/16	QUALITY SYMBOLS $\nabla=0$ $\nabla=0$ $\nabla=0$	GENERAL TOLERANCES (UNLESS SPECIFIED)		DIMENSION STYLE		SCALE	DESIGN UNITS	THIRD ANGLE PROJECTION
		mm	INCH	MM ONLY	NTS	METRIC		
		4 PLACES ± ---	± ---	DRAWN BY	DATE	TITLE		
		3 PLACES ± ---	± ---	SSUN	2004/11/04	6 CKTS SIM CARD CONNECTOR SD DRAWING		
2 PLACES ± 0.05	± ---	CHECKED BY	DATE					
1 PLACE ± 0.10	± ---	RZHAO	2004/11/04					
0 PLACE ±	±	APPROVED BY	DATE					
		SAMHUANG	2004/11/04					
ANGULAR ± 2°		MATERIAL NO.	DOCUMENT NO.					
DRAFT WHERE APPLICABLE MUST REMAIN WITHIN DIMENSIONS		SEE TABLE	SD-67687-511	SHEET NO. 1 OF 2				
THIS DRAWING CONTAINS INFORMATION THAT IS PROPRIETARY TO MOLEX INCORPORATED AND SHOULD NOT BE USED WITHOUT WRITTEN PERMISSION								

10 9 8 7 6 5 4 3 2 1



RECOMMENDED PCB LAYOUT

<b>ADD VIEW</b> EC NO. S2013-0219 DRAWN: JANG02 CHK: FCS00 APPR: KHLIM	<b>QUALITY SYMBOLS</b> ∇=0 ∇=0 ∇=0	<b>GENERAL TOLERANCES (UNLESS SPECIFIED)</b>		<b>DIMENSION STYLE</b> MM ONLY		SCALE NTS	DESIGN UNITS METRIC	THIRD ANGLE PROJECTION
		4 PLACES ± --- ± ---	DRAWN BY SSUN	DATE 2004/11/04	TITLE 6 CKTS SIM CARD CONNECTOR SD DRAWING			
		3 PLACES ± --- ± ---	CHECKED BY RZHAO	DATE 2004/11/04	<b>molex</b>			
		2 PLACES ± 0.05 ± ---	APPROVED BY SAMHUANG	DATE 2004/11/04	MATERIAL NO. SEE TABLE	DOCUMENT NO. SD-67687-511	SHEET NO. 2 OF 2	
1 PLACE ± 0.10 ± ---	ANGULAR ± 2 °		THIS DRAWING CONTAINS INFORMATION THAT IS PROPRIETARY TO MOLEX INCORPORATED AND SHOULD NOT BE USED WITHOUT WRITTEN PERMISSION					
0 PLACE ± ±	DRAFT WHERE APPLICABLE MUST REMAIN WITHIN DIMENSIONS							

9 8 7 6 5 4 3 2 1