

Excellent Integrated System Limited

Stocking Distributor

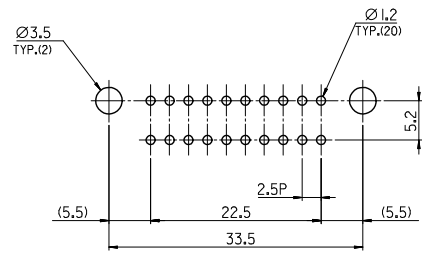
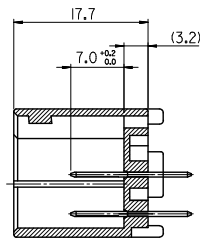
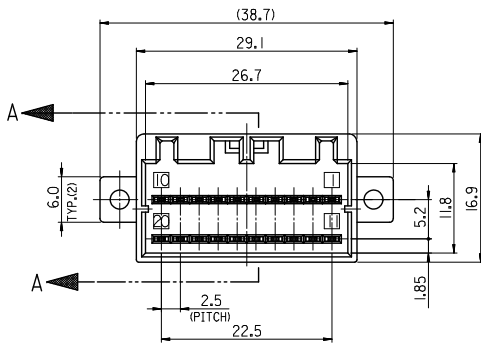
Click to view price, real time Inventory, Delivery & Lifecycle Information:

[Molex Connector Corporation](#)
[0681512015](#)

For any questions, you can email us directly:

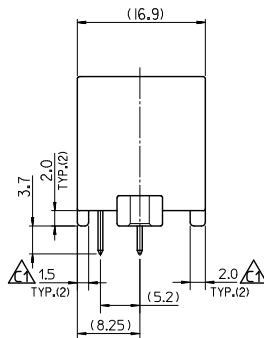
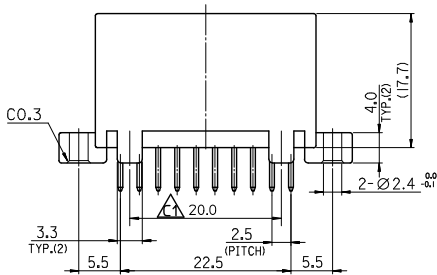
sales@integrated-circuit.com

10 9 8 7 6 5 4 3 2 1



RECOMMENDED P.C.B. HOLE DIMENSION (MOUNT SIDE)

SECT. A-A



NOTES

1. APPLICABLE FEMALE HOUSING : 35564-2015
2. APPLICABLE FEMALE TERMINAL : 50654-1001, 50655-1068
50655-1031
3. MATERIAL#HOUSING-POLYESTER (PBT)
TERMINAL-BRASS, FINISH-TIN PLATING

<TABLE 1>

MATERIAL NO.	ORDER NO.	COLOR
681512015	68151-2015	GRAY
681512016	68151-2016	WHITE

REVISED DIMENSION EC NO.: KTR2016-0047 DRAWN: JLEE06 2016/01/29 CHKD: BC100N 2016/01/29 APPR: JYCHOI 2016/02/25	QUALITY SYMBOLS ▽=0 ▽=0	GENERAL TOLERANCES (UNLESS SPECIFIED) 4 PLACES ± --- ± --- 3 PLACES ± --- ± --- 2 PLACES ± 0.20 ± --- 1 PLACE ± 0.30 ± --- ANGULAR ± 1°	DIMENSION STYLE MM ONLY DRAWN BY DATE YSIKKIM 1999/05/12 CHECKED BY DATE BKCHOI 1999/05/12 APPROVED BY DATE CWLEE 1999/05/12	SCALE DESIGN UNITS METRIC THIRD ANGLE PROJECTION	TITLE 040 WIRE TO BOARD CONNECTOR 20P HEADER ASSY (VTL) MOLEX INCORPORATED DOCUMENT NO. SD-68151-001 SHEET NO. 1 OF 1	
	DRAFT WHERE APPLICABLE MUST REMAIN WITHIN DIMENSIONS	SEE TABLE 1	MATERIAL NO.	THIS DRAWING CONTAINS INFORMATION THAT IS PROPRIETARY TO MOLEX INCORPORATED AND SHOULD NOT BE USED WITHOUT WRITTEN PERMISSION		
	REV C1	DESCRIPTION				

9 8 7 6 5 4 3 2 1