

## Excellent Integrated System Limited

Stocking Distributor

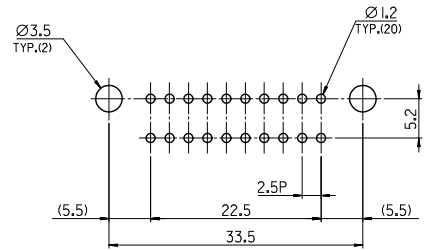
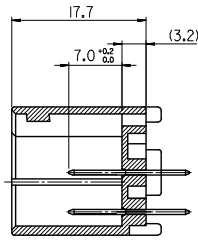
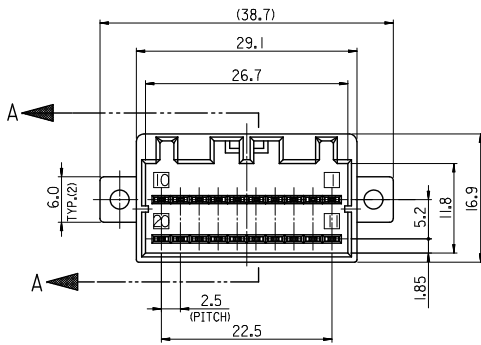
Click to view price, real time Inventory, Delivery & Lifecycle Information:

[Molex Connector Corporation](#)  
[0681512016](#)

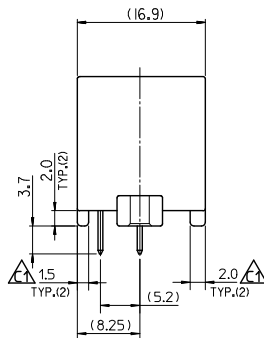
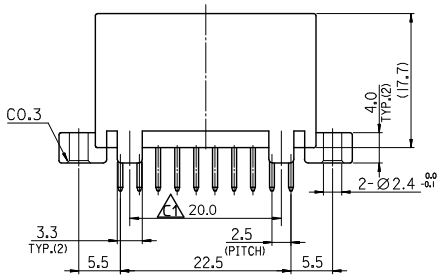
For any questions, you can email us directly:

[sales@integrated-circuit.com](mailto:sales@integrated-circuit.com)

10 9 8 7 6 5 4 3 2 1



RECOMMENDED P.C.B. HOLE DIMENSION (MOUNT SIDE)



NOTES

1. APPLICABLE FEMALE HOUSING : 35564-2015
2. APPLICABLE FEMALE TERMINAL : 50654-1001, 50655-1068  
50655-1031
3. MATERIAL#HOUSING-POLYESTER (PBT)  
TERMINAL-BRASS, FINISH-TIN PLATING

<TABLE 1>

MATERIAL NO.	ORDER NO.	COLOR
681512015	68151-2015	GRAY
681512016	68151-2016	WHITE

<b>REVISED DIMENSION</b> EC NO.: KTR2016-0047 DRAWN BY: JLEE06 2016/01/29 CHKD BY: CIOON 2016/01/29 APPR: JYCHOI 2016/02/25	QUALITY SYMBOLS ▽=0 ▽=0	GENERAL TOLERANCES (UNLESS SPECIFIED) 4 PLACES ± --- ± --- 3 PLACES ± --- ± --- 2 PLACES ± 0.20 ± --- 1 PLACE ± 0.30 ± --- ANGULAR ± 1°	DIMENSION STYLE MM ONLY DRAWN BY: YSIKKIM DATE: 1999/05/12 CHECKED BY: BKCHOI DATE: 1999/05/12 APPROVED BY: CWLEE DATE: 1999/05/12	SCALE TITLE 040 WIRE TO BOARD CONNECTOR 20P HEADER ASSY (VTL)	DESIGN UNITS METRIC THIRD ANGLE PROJECTION
	DRAFT WHERE APPLICABLE MUST REMAIN WITHIN DIMENSIONS	MATERIAL NO. SEE TABLE 1	MOLEX INCORPORATED	DOCUMENT NO. SD-68151-001	SHEET NO. 1 OF 1
	THIS DRAWING CONTAINS INFORMATION THAT IS PROPRIETARY TO MOLEX INCORPORATED AND SHOULD NOT BE USED WITHOUT WRITTEN PERMISSION				
	SIZE A3				

9 8 7 6 5 4 3 2 1