



**Distributor of Molex Connector Corporation: Excellent Integrated System Limited**  
Datasheet of 0716241005 - D-Sub Connector Plug, Male Pins 160 Position Panel Mount,  
Through Hole Solder

Contact us: [sales@integrated-circuit.com](mailto:sales@integrated-circuit.com) Website: [www.integrated-circuit.com](http://www.integrated-circuit.com)

---

## **Excellent Integrated System Limited**

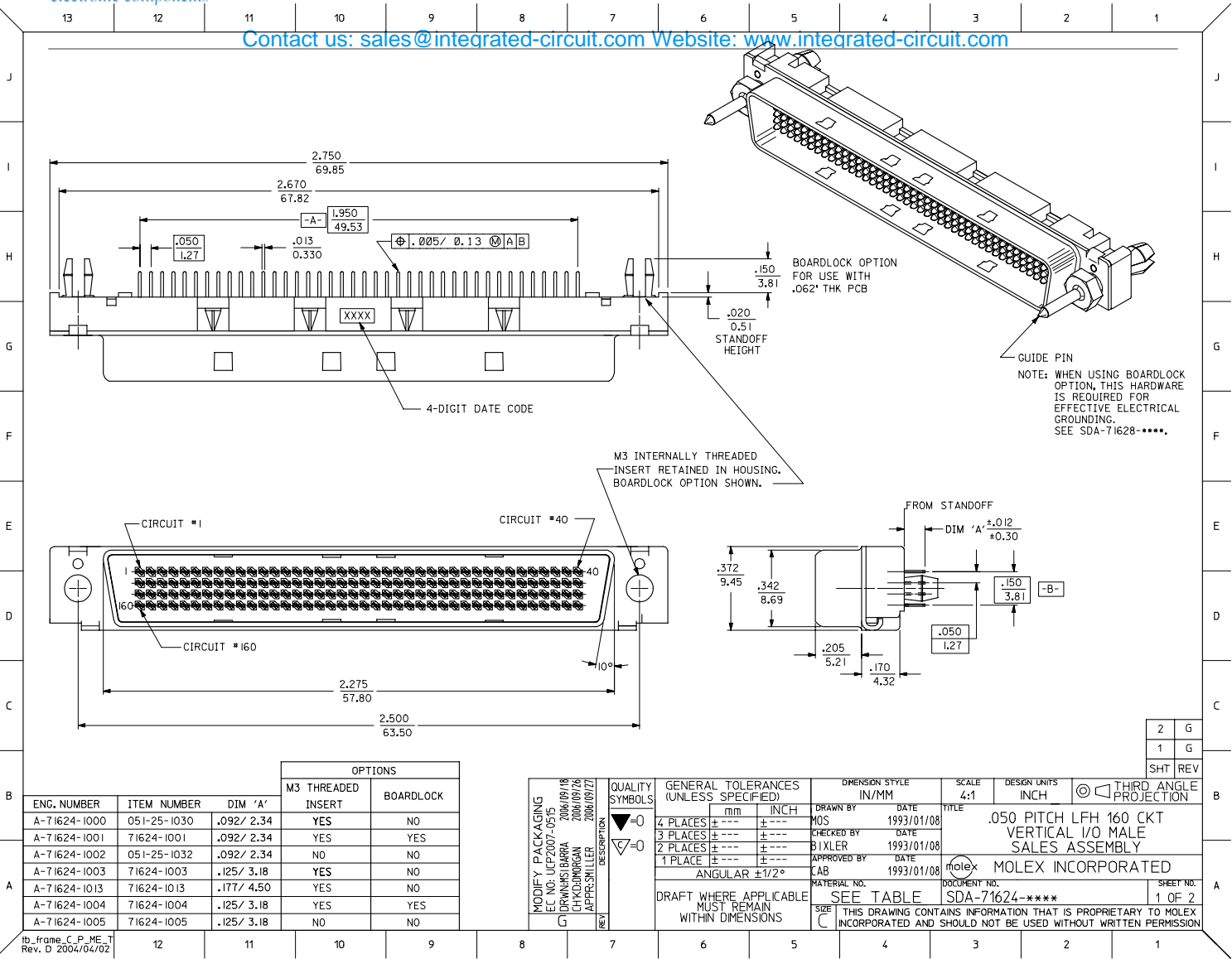
Stocking Distributor

Click to view price, real time Inventory, Delivery & Lifecycle Information:

[Molex Connector Corporation](#)  
[0716241005](#)

For any questions, you can email us directly:  
[sales@integrated-circuit.com](mailto:sales@integrated-circuit.com)

Contact us: [sales@integrated-circuit.com](mailto:sales@integrated-circuit.com) Website: [www.integrated-circuit.com](http://www.integrated-circuit.com)



ENG. NUMBER	ITEM NUMBER	DIM 'A'	OPTIONS	
			M3 THREADED INSERT	BOARDLOCK
A-71624-1000	051-25-1030	.092/ 2.34	YES	NO
A-71624-1001	71624-1001	.092/ 2.34	YES	YES
A-71624-1002	051-25-1032	.092/ 2.34	NO	NO
A-71624-1003	71624-1003	.125/ 3.18	YES	NO
A-71624-1013	71624-1013	.177/ 4.50	YES	NO
A-71624-1004	71624-1004	.125/ 3.18	YES	YES
A-71624-1005	71624-1005	.125/ 3.18	NO	NO

ib\_frame\_C\_P\_ME\_T  
Rev. D 2004/04/02

MODIFY PACKAGING  
EC NO: UCF2007-0515  
DRWING BARRA 2006/09/18  
LH KUDIRANGAN 2006/09/26  
APPROX MILLER 2006/09/27

QUALITY SYMBOLS  
▽=0  
▽=0

GENERAL TOLERANCES (UNLESS SPECIFIED)		DIMENSION STYLE	SCALE	DESIGN UNITS	THIRD ANGLE PROJECTION
PLACES	TOLERANCE	IN/MM	4:1	INCH	
4 PLACES	± .005	INCH			
3 PLACES	± .004	INCH			
2 PLACES	± .003	INCH			
1 PLACE	± .002	INCH			
ANGULAR ±1/2°					

DRAWN BY: MOS DATE: 1993/01/08  
CHECKED BY: BIXLER DATE: 1993/01/08  
APPROVED BY: CAB DATE: 1993/01/08

TITLE: .050 PITCH LFH 160 CKT VERTICAL I/O MALE SALES ASSEMBLY

MATERIAL NO. MOLEX INCORPORATED  
DOCUMENT NO. SDA-71624-\*\*\*\*  
SHEET NO. 1 OF 2

DRAFT WHERE APPLICABLE MUST REMAIN WITHIN DIMENSIONS

THIS DRAWING CONTAINS INFORMATION THAT IS PROPRIETARY TO MOLEX INCORPORATED AND SHOULD NOT BE USED WITHOUT WRITTEN PERMISSION

2	G
1	G
SHT	REV

Contact us: [sales@integrated-circuit.com](mailto:sales@integrated-circuit.com) Website: [www.integrated-circuit.com](http://www.integrated-circuit.com)

**NOTES:**

**1) MATERIALS:**

HOUSING: GLASS FILLED LCP (LIQUID CRYSTAL POLYMER), UL 94V-0, BLACK.  
 MOLDED STICK: GLASS FILLED LCP (LIQUID CRYSTAL POLYMER), UL94V-0, BLACK.  
 MALE CONTACT: PHOS. BRONZE .012±.0005 THICK.  
 OUTER SHELL: LOW CARBON STEEL.  
 THREADED BOARD LOCK: BRASS

**2) PLATING :**

TERMINAL: .000030/ 0.00076 MINIMUM GOLD IN SELECTIVE AREA;  
 .000100/ 0.00254 MINIMUM TIN IN SELECTIVE AREA;  
 OVER NICKEL UNDERPLATE OVERALL.

OUTER SHELL: .000100/ 0.00254 MINIMUM BRIGHT NICKEL  
 OVER COPPER FLASH OPTIONAL.

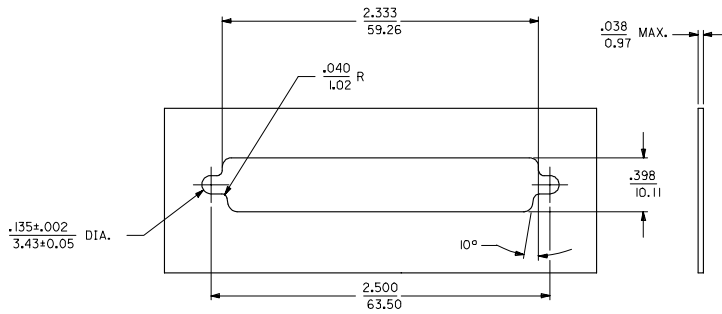
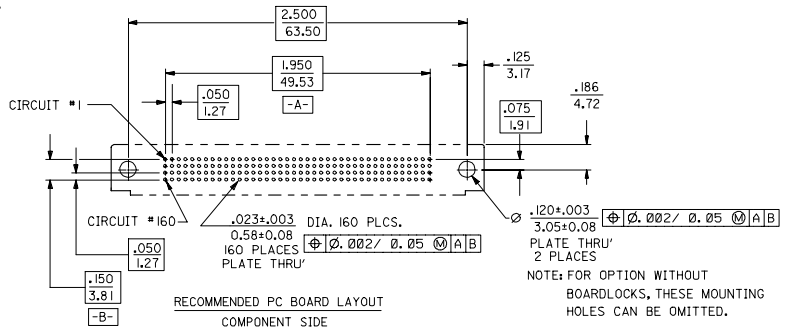
BOARDLOCK: .000150-.000200/ 0.00381-0.00508 TIN  
 OVER .000050/ 0.00127 MINIMUM NICKEL.

**3) THIS PART CONFORMS TO MOLEX PRODUCT SPECIFICATION PS-71626.**

**4) PACKAGING SPECIFICATION PK-70873-297 APPLIES.**

**NOTE FOR LEAD FREE CONVERSION:**

THE PRIMARY SHIPPING CARTON WILL BE  
 LABELED \*COMPLIANT TO ROHS DIRECTIVE  
 2002/95/EC AND ELV ANNEX II OF  
 DIRECTIVE 2000/53/EC\*. CARTONS  
 WITHOUT THIS LABEL MAY CONTAIN  
 PRODUCT WITH LEAD.



PANEL CUT-OUT DIMENSIONS  
 ALL TOLERANCES ±.003/ 0.08  
 UNLESS OTHERWISE STATED.

MODIFY PACKAGING EC NO: UCF2007-0515 DRWING BARBA 2006/09/18 LHKUBIRJAN 2006/09/26 APPR: MILLER 2006/09/27	QUALITY SYMBOLS ▽=0 ▽=0	GENERAL TOLERANCES (UNLESS SPECIFIED)		DIMENSION STYLE IN/MM		SCALE 2:1	DESIGN UNITS INCH	THIRD ANGLE PROJECTION
		4 PLACES ± --- ± ---	SCHMIDGALL	DATE 1993/01/08	.050 PITCH LFH 160 CKT VERTICAL I/O MALE SALES ASSEMBLY			
		3 PLACES ± --- ± ---	CHECKED BY BIXLER	DATE 1993/01/08				
		2 PLACES ± --- ± ---	APPROVED BY CAB	DATE 1993/01/08	MOLEX INCORPORATED			
1 PLACE ± --- ± ---	ANGULAR ±1/2°	MATERIAL NO. SEE TABLE	DOCUMENT NO. SDA-71624-****	SHEET NO. 2 OF 2		THIS DRAWING CONTAINS INFORMATION THAT IS PROPRIETARY TO MOLEX INCORPORATED AND SHOULD NOT BE USED WITHOUT WRITTEN PERMISSION		