



Distributor of Molex Connector Corporation: Excellent Integrated System Limited
Datasheet of 0716268000 - D-Sub Connector Receptacle, Female Sockets 160 Position Panel
Mount, Through Hole, Right Angle Solder

Contact us: sales@integrated-circuit.com Website: www.integrated-circuit.com

Excellent Integrated System Limited

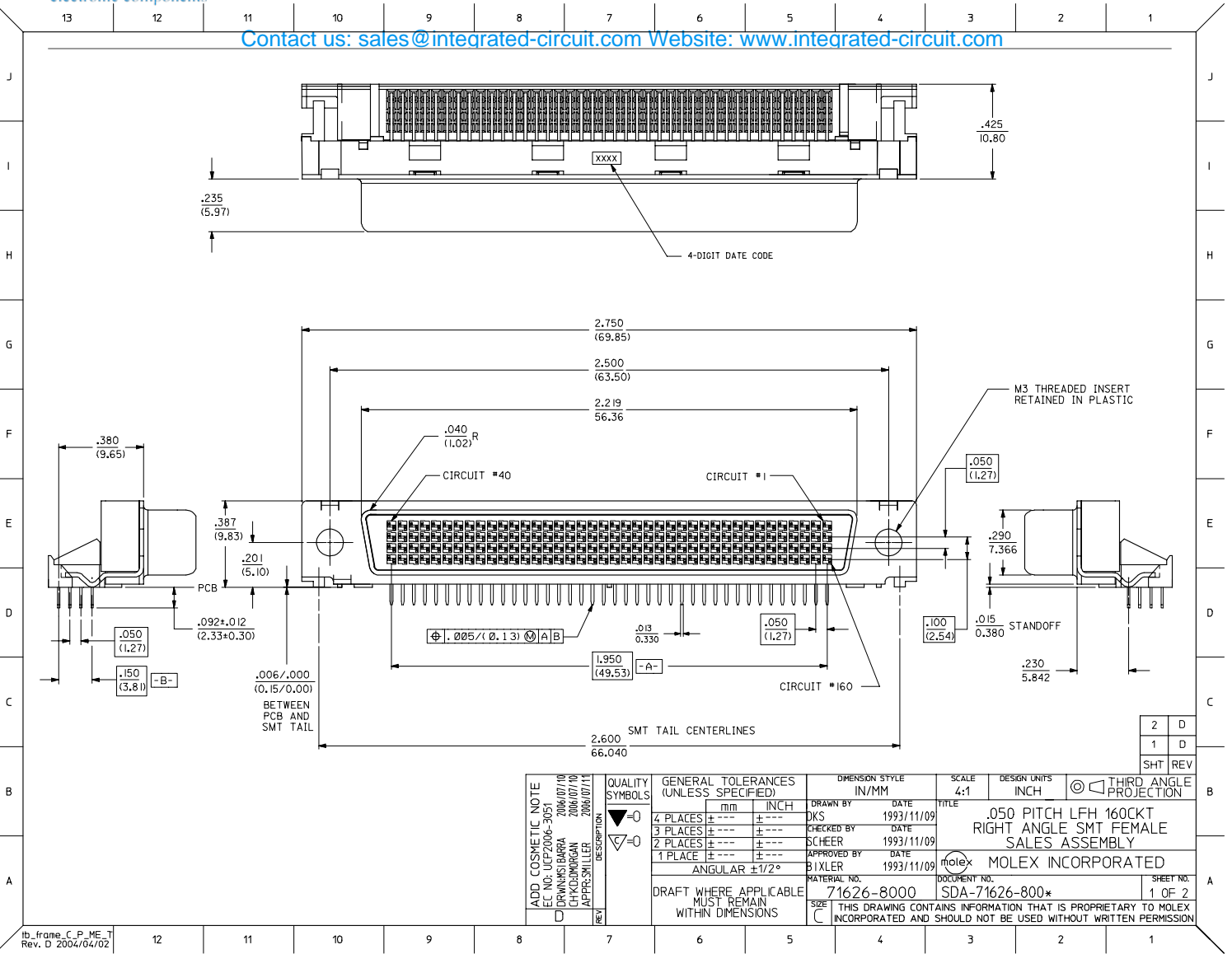
Stocking Distributor

Click to view price, real time Inventory, Delivery & Lifecycle Information:

[Molex Connector Corporation](#)
[0716268000](#)

For any questions, you can email us directly:
sales@integrated-circuit.com

Contact us: sales@integrated-circuit.com Website: www.integrated-circuit.com



2	D
1	D
SHT	REV

ADD COSMETIC NOTE EC NO: UCP2006-3051 DRWING BARUA 2006/07/10 CHK:DJONGAN 2006/07/10 APPR:SMILLER 2006/07/11	QUALITY SYMBOLS ▽=0 ∇=0	GENERAL TOLERANCES (UNLESS SPECIFIED)		DIMENSION STYLE IN/MM	SCALE 4:1	DESIGN UNITS INCH	THIRD ANGLE PROJECTION		
		4 PLACES ± --- ± --- 3 PLACES ± --- ± --- 2 PLACES ± --- ± --- 1 PLACE ± --- ± ---	DRAWN BY DKS 1993/11/09	DATE 1993/11/09	TITLE .050 PITCH LFH 160CKT RIGHT ANGLE SMT FEMALE SALES ASSEMBLY				
		ANGULAR ±1/2°	CHECKED BY SCHEER 1993/11/09	DATE 1993/11/09	MOLEX INCORPORATED				
		DRAFT WHERE APPLICABLE MUST REMAIN WITHIN DIMENSIONS	APPROVED BY BIXLER 1993/11/09	DATE 1993/11/09	MATERIAL NO. 71626-8000	DOCUMENT NO. SDA-71626-800*	SHEET NO. 1 OF 2		

Contact us: sales@integrated-circuit.com Website: www.integrated-circuit.com

NOTES:

1) MATERIALS:

HOUSING: LCP, 30% GLASS FILLED, 94V-0, BLACK.
MOLDED STICK: LCP 30% GLASS FILLED, 94V-0, BLACK.
FEMALE CONTACT: BERYLLIUM COPPER .0100±.0005 THICK.
OUTER SHELL: LOW CARBON STEEL.
THREADED BOARD LOCK: BRASS.

2) PLATING :

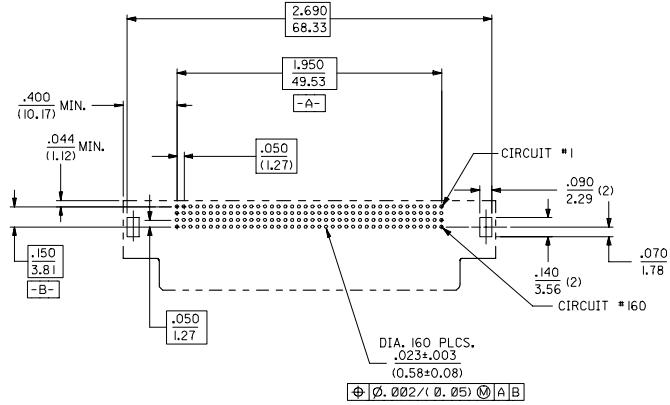
CONTACT: .000030 INCHES OF GOLD IN SELECTIVE AREA OVER
.000050/.000100 INCHES OF NICKEL IN CONTACT AREA;
.000100/.000200 INCHES OF TIN ON TAIL SECTION.

OUTER SHELL: .000150/.000200 INCHES OF TIN (PER MIL-P-81728A)
OVER .000050/.000100 INCHES OF NICKEL
(PER QQ-N-290A) OVER .000050/.000100 INCHES
OF COPPER OVERALL (OPTIONAL).

3) THIS PART CONFORMS TO MOLEX PRODUCT SPECIFICATION PS-71626.

4) PACKAGING SPECIFICATION PK-70873-0225 APPLIES.

5) PART COMPLIES WITH CLASS B OF COSMETIC SPECIFICATION PS-45499-002



RECOMMENDED PC BOARD LAYOUT
COMPONENT SIDE

ADD NOTE 5 EC NO: UCF2006-3051 DRAWING BARRA 2006/07/10 CHK: KUMAR 2006/07/10 APPR: SMILLER 2006/07/11	QUALITY SYMBOLS ▽=0 ▽=0	GENERAL TOLERANCES (UNLESS SPECIFIED)		DIMENSION STYLE IN/MM	SCALE 2:1	DESIGN UNITS INCH	THIRD ANGLE PROJECTION		
		4 PLACES ±--- ±---	3 PLACES ±--- ±---	2 PLACES ±--- ±---	1 PLACE ±--- ±---	DRAWN BY SCHEER	DATE 1994/01/05	TITLE .050 PITCH LFH 160CKT RIGHT ANGLE SMT FEMALE SALES ASSEMBLY	
		ANGULAR ±1/2°				APPROVED BY BIXLER	DATE 1994/01/05	MOLEX INCORPORATED	
		DRAFT WHERE APPLICABLE MUST REMAIN WITHIN DIMENSIONS		MATERIAL NO. 71626-8000	DOCUMENT NO. SDA-71626-800*	SHEET NO. 2 OF 2		THIS DRAWING CONTAINS INFORMATION THAT IS PROPRIETARY TO MOLEX INCORPORATED AND SHOULD NOT BE USED WITHOUT WRITTEN PERMISSION	