

## Excellent Integrated System Limited

Stocking Distributor

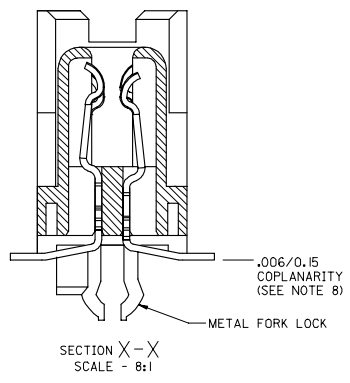
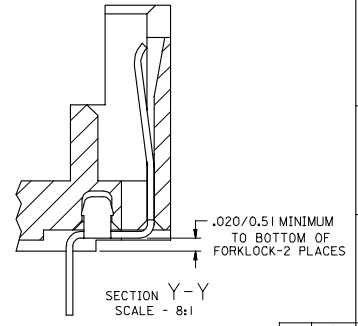
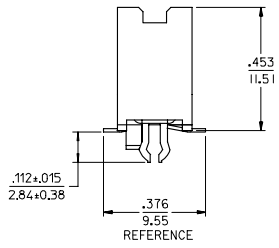
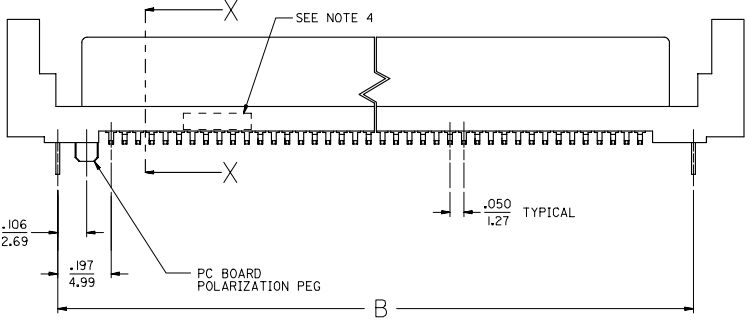
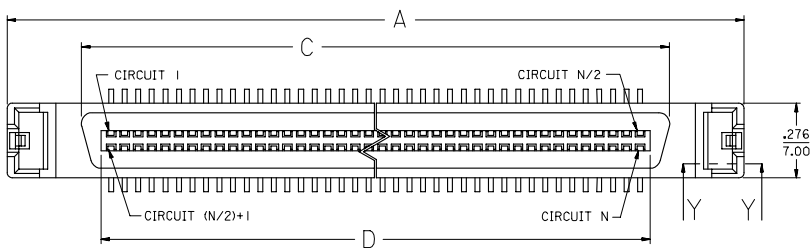
Click to view price, real time Inventory, Delivery & Lifecycle Information:

[Molex Connector Corporation](#)  
[0717434180](#)

For any questions, you can email us directly:

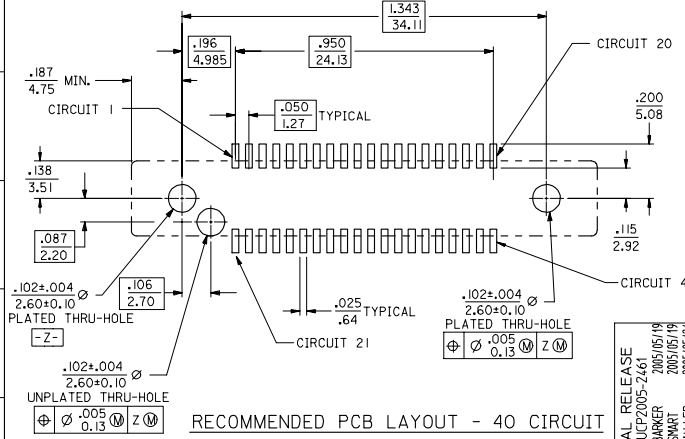
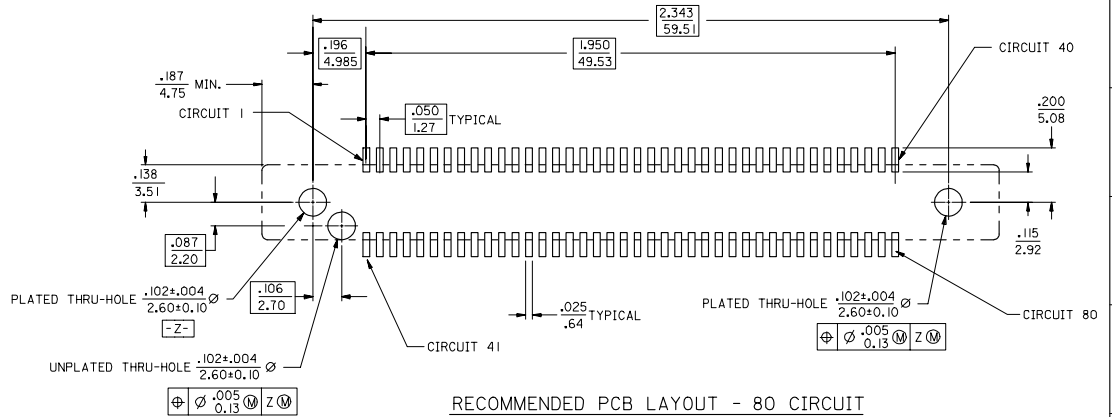
[sales@integrated-circuit.com](mailto:sales@integrated-circuit.com)

- NOTES: 1. MATERIAL:  
HOUSING: I.R. COMPATIBLE POLYMER, GLASS FILLED, UL 94 V 0, BLACK  
TERMINALS: COPPER ALLOY  
BOARDLOCK: COPPER ALLOY
2. FINISH:  
TERMINALS: 30 MICROINCHES / 0.76 MICROMETERS GOLD IN CONTACT AREA  
100 MICROINCHES / 2.54 MICROMETERS TIN IN TAIL AREA  
NICKEL UNDERPLATE OVERALL,  
ESD BOARDLOCK TIN OVER NICKEL OVERALL.
3. PRODUCT SPECIFICATION: PS-73826-0000
4. FOUR DIGIT DATE CODE IN THIS LOCATION (WK YR).
5. CONTACT GAP WILL ACCOMMODATE MATING CONNECTOR OF:  
.063+/-0.003 / 1.60+/-0.08
6. PACKAGE PER SPECIFICATION PK-70873-5025.
7. CIRCUIT NUMBERS 1,36 THRU 43, 45, 46, AND 75 THRU 80,  
ARE ADVANCED (LONG) TERMINALS FOR SEQUENTIAL MATING.
8. COPLANARITY TO BE MEASURED USING FIXTURE # 71743-9001 OR EQUIVALENT.  
MEASUREMENT TO BE TAKEN AT 50X MAGNIFICATION.  
COPLANARITY IS THE DISTANCE BETWEEN THE SEATING PLANE AND THE LOWEST  
POINT ON THE SMT TAIL THAT IS FARTHEST AWAY FROM THE SEATING PLANE.  
FIXTURING TO BE SUCH THAT ALL TAILS ARE OVER THE SEATING PLANE.



INITIAL RELEASE EC NO: UC2005-2461 DRAWN BY: BARKER CHKD BY: BSMART APPR: SMILLER 2005/05/19 2005/06/19 2005/06/24	QUALITY SYMBOLS ▽=0 ▽=0	GENERAL TOLERANCES (UNLESS SPECIFIED)		DIMENSION STYLE IN/MM		SCALE 1:1	DESIGN UNITS INCH	THIRD ANGLE PROJECTION	
		4 PLACES ±.--- ±.---	3 PLACES ±.--- ±.005	2 PLACES ±.13 ±.010	1 PLACE ±.025 ±.---	ANGULAR ±1/2°	DRAWN BY: BARKER DATE: 05/04/25	CHECKED BY: BSMART DATE: 05/04/25	APPROVED BY: SMILLER DATE: 05/04/25
DRAFT WHERE APPLICABLE MUST REMAIN WITHIN DIMENSIONS		MATERIAL NO. SEE CHART		DOCUMENT NO. SD-71743-005		MOLEX INCORPORATED		SHEET NO. 1 OF 2	
SIZE C		THIS DRAWING CONTAINS INFORMATION THAT IS PROPRIETARY TO MOLEX INCORPORATED AND SHOULD NOT BE USED WITHOUT WRITTEN PERMISSION							

MATERIAL NUMBER	CIRCUIT SIZE	DIMENSION A	DIMENSION B	DIMENSION C	DIMENSION D	ADVANCED TERMINALS / CIRCUITS (SECTION Z-Z, SHEET 1)
71743-4180	80	2.717/69.01	2.343/59.51	2.168/55.07	2.025/51.44	1, 36, 37, 38, 39, 40, 41, 42, 43, 45, 46, 75, 76, 77, 78, 79, 80
71743-4140	40	1.717/43.61	1.343/34.11	1.168/29.67	1.025/26.04	21, 22, 23, 26, 29, 32, 35, 36, 37, 38, 39, 40



INITIAL RELEASE	EC NO.	DRAWN BY	CHECKED BY	APPROVED BY	DATE	DESCRIPTION	GENERAL TOLERANCES (UNLESS SPECIFIED)		DIMENSION STYLE	SCALE	DESIGN UNITS	THIRD ANGLE PROJECTION
							mm	INCH				
2005/05/19	UCP2005-2461	BARKER	BSMART	SMILLER	2005/05/19	2005/05/24	4 PLACES	±.005	IN/MM	4:1	INCH	THIRD ANGLE PROJECTION
							3 PLACES	±.010				
							2 PLACES	±.025				
							1 PLACE	±.050				
							ANGULAR ±1/2°					
							DRAFT WHERE APPLICABLE MUST REMAIN WITHIN DIMENSIONS					
									SEE CHART			
										SD-71743-005		
												SHEET NO. 2 OF 2