

Excellent Integrated System Limited

Stocking Distributor

Click to view price, real time Inventory, Delivery & Lifecycle Information:

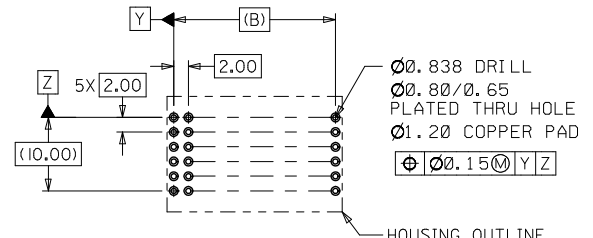
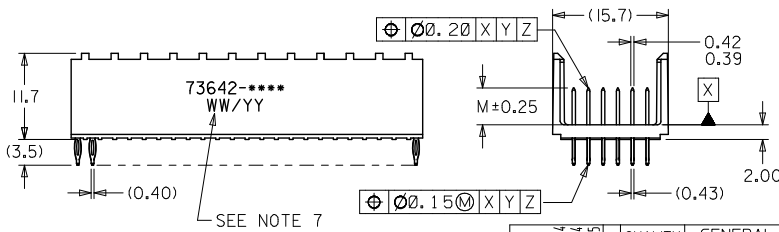
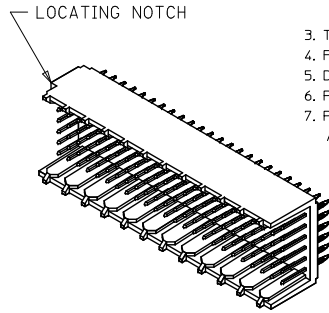
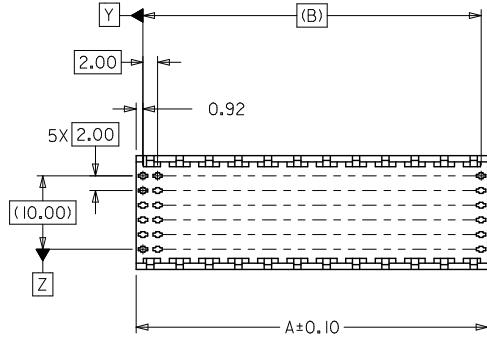
[Molex Connector Corporation](#)
[0736423000](#)

For any questions, you can email us directly:

sales@integrated-circuit.com

NOTES:

1. MATERIALS: HOUSING - LIQUID CRYSTAL POLYMER (LCP)
GLASS-FILLED, UL 94V-0, COLOR: BLACK.
TERMINAL - PHOSPHOR BRONZE.
2. FINISH: SELECTIVE GOLD (Au) IN CONTACT AREA, 0.76 MICROMETERS MINIMUM THICKNESS,
NICKEL (Ni) AND GOLD FLASH OVERALL.
SELECTIVE GOLD (Au) IN CONTACT AREA, 0.76 MICROMETERS MINIMUM THICKNESS,
SELECTIVE MATTE TIN (Sn) ON IN TAIL AREA,
NICKEL (Ni) OVERALL.
3. THIS PART CONFORMS TO MOLEX PRODUCT SPECIFICATION PS-73670-9999.
4. FOR MIXED CONTACT MATING LENGTHS, CONSULT FACTORY FOR AVAILABILITY.
5. DIMENSIONS ARE IN MILLIMETERS.
6. PACKAGE PER 70873-0818.
7. PARTS MARKED WITH PART NUMBER AND DATE CODE ON EITHER SIDE,
APPROXIMATELY WHERE SHOWN.



PCB LAYOUT: COMPONENT SIDE
RECOMMENDED PCB THICKNESS: 2.50 MIN.

LEAD FREE CONVERSION EC NO: JUCP2013-3253 DRAWN BY: RWHIPPLE CHKD BY: CHKOMOLEE APPR: SMILLER	DESCRIPTION 2013/02/04 2013/02/04 2013/06/05	QUALITY SYMBOLS ▽=0 ▽=0 ▽=0	GENERAL TOLERANCES (UNLESS SPECIFIED)		DIMENSION STYLE MM ONLY		SCALE 2:1	DESIGN UNITS METRIC	THIRD ANGLE PROJECTION
			mm	INCH	DRAWN BY RWHIPPLE	DATE 2013/02/04	TITLE SALES ASSEMBLY HDM BACKPLANE MODULE OPEN END OPTION		
REV J	MATERIAL NO. SEE SHEET 2	ANGULAR ±1/2° DRAFT WHERE APPLICABLE MUST REMAIN WITHIN DIMENSIONS	4 PLACES ±---	±---	CHECKED BY SMR/CAB	DATE 96/12/18	DOCUMENT NO. SDA-73642-****		
			3 PLACES ±---	±---	APPROVED BY SMILLER	DATE 2013/08/05			
			2 PLACES ±0.05	±---	THIS DRAWING CONTAINS INFORMATION THAT IS PROPRIETARY TO MOLEX INCORPORATED AND SHOULD NOT BE USED WITHOUT WRITTEN PERMISSION				
			1 PLACE ±0.10	±---					
			0 PLACE ±---	±---					

10 9 8 7 6 5 4 3 2 1

MATERIAL NUMBER	NUMBER OF SIGNAL CONTACTS	PLATING	DIM "A"	DIM "B"	DIM "M"
73642-0000	72	SELECTIVE GOLD/GOLD FLASH	23.84	22.00	5.00
73642-0100	72	SELECTIVE GOLD/GOLD FLASH	23.84	22.00	5.50
73642-0200	72	SELECTIVE GOLD/GOLD FLASH	23.84	22.00	6.00
73642-1000	144	SELECTIVE GOLD/GOLD FLASH	47.84	46.00	5.00
73642-1100	144	SELECTIVE GOLD/GOLD FLASH	47.84	46.00	5.50
73642-1200	144	SELECTIVE GOLD/GOLD FLASH	47.84	46.00	6.00
73642-2000	72	*SELECTIVE GOLD/MATTE TIN	23.84	22.00	5.00
73642-2100	72	*SELECTIVE GOLD/MATTE TIN	23.84	22.00	5.50
73642-2200	72	*SELECTIVE GOLD/MATTE TIN	23.84	22.00	6.00
73642-3000	144	*SELECTIVE GOLD/MATTE TIN	47.84	46.00	5.00
73642-3100	144	*SELECTIVE GOLD/MATTE TIN	47.84	46.00	5.50
73642-3200	144	*SELECTIVE GOLD/MATTE TIN	47.84	46.00	6.00

*FORMERLY TIN/LEAD

SEE SHEET 1 EC NO: IJCP2013-3253 DRAWN BY: RWHIPPLE 2013/02/04 CHECKED BY: CHKSMOLLE 2013/02/04 APPR: SMILLER 2013/08/05 REV	QUALITY SYMBOLS	GENERAL TOLERANCES (UNLESS SPECIFIED)	DIMENSION STYLE	SCALE	DESIGN UNITS	THIRD ANGLE PROJECTION
	$\sqrt{\text{A}}=0$ $\sqrt{\text{B}}=0$ $\sqrt{\text{C}}=0$	mm INCH 4 PLACES ± --- ± --- 3 PLACES ± --- ± --- 2 PLACES ± 0.05 ± --- 1 PLACE ± 0.10 ± --- 0 PLACE ± --- ± ---	MM ONLY	1:1	METRIC	SALES ASSEMBLY HDM BACKPLANE MODULE OPEN END OPTION molex
	DESCRIPTION	ANGULAR ±1/2° DRAFT WHERE APPLICABLE MUST REMAIN WITHIN DIMENSIONS	DRAWN BY: RWHIPPLE 2013/02/04 CHECKED BY: SMR/CAB 96/12/18 APPROVED BY: SMILLER 2013/08/05	TITLE	DOCUMENT NO.	SHEET NO.
			SEE CHART		SDA-73642-****	2 OF 2

10 9 8 7 6 5 4 3 2 1