

Excellent Integrated System Limited

Stocking Distributor

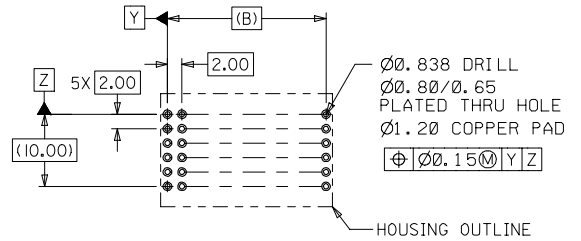
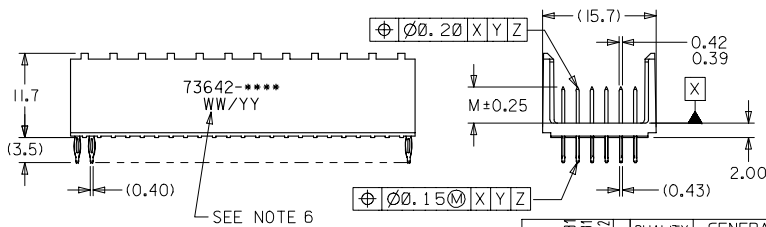
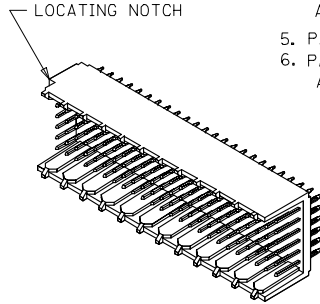
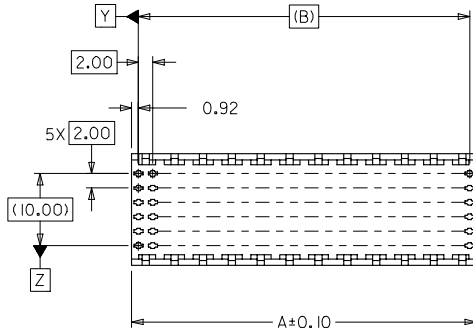
Click to view price, real time Inventory, Delivery & Lifecycle Information:

[Molex Connector Corporation](#)
[0736423209](#)

For any questions, you can email us directly:
sales@integrated-circuit.com

NOTES:

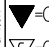
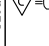
1. MATERIALS: HOUSING - LIQUID CRYSTAL POLYMER (LCP), GLASS-FILLED, UL94V-0, COLOR: BLACK,
TERMINAL - PHOSPHOR BRONZE.
2. FINISHES: SELECTIVE GOLD (Au) IN CONTACT AREA,
SELECTIVE TIN (Sn) IN TAIL AREA;
NICKEL (Ni) OVERALL.
3. THIS PART CONFORMS TO MOLEX PRODUCT SPECIFICATION PS-73670-9999.
4. FOR MIXED CONTACT MATING LENGTHS, CONSULT FACTORY FOR AVAILABILITY.
5. PACKAGE PER PK-70873-0818.
6. PARTS MARKED WITH PART NUMBER AND DATE CODE, ON EITHER SIDE, APPROXIMATELY WHERE SHOWN.



PCB LAYOUT: COMPONENT SIDE
RECOMMENDED PCB THICKNESS: 2.50 MIN.

INITIAL RELEASE EC NO: UCP2006-1564 DRAWN: JJONIAK 2006/01/01 CHECKED: JBINGHAM 2006/01/01 APPROVED: LIXLER 2006/02/02	QUALITY SYMBOLS ▽=0 ▽=0	GENERAL TOLERANCES (UNLESS SPECIFIED)		DIMENSION STYLE	SCALE	DESIGN UNITS	THIRD ANGLE PROJECTION
		mm	INCH	MM ONLY	2:1	METRIC	
4 PLACES ±--- ±--- 3 PLACES ±--- ±--- 2 PLACES ±--- ±--- 1 PLACE ±--- ±--- ANGULAR ±1/2°	DRAFT WHERE APPLICABLE MUST REMAIN WITHIN DIMENSIONS	DRAWN BY JJONIAK 2005/11/01		DATE	TITLE		
		CHECKED BY JBINGHAM 2005/11/01		DATE	SALES ASSEMBLY LEADFREE HDM BACKPLANE MODULE OPEN END OPTION		
		APPROVED BY JBINGHAM 2005/11/01		DATE	MOLEX INCORPORATED		
		MATERIAL NO.		DOCUMENT NO.	SHEET NO.		
		SEE PAGE 2		SD-73642-003	1 OF 2		
THIS DRAWING CONTAINS INFORMATION THAT IS PROPRIETARY TO MOLEX INCORPORATED AND SHOULD NOT BE USED WITHOUT WRITTEN PERMISSION							

MATERIAL NUMBER	NUMBER OF SIGNAL CONTACTS	PLATING	DIM "A"	DIM "B"	DIM "M"
73642-2009	72	SELECTIVE GOLD/SELECTIVE TIN	23.84	22.00	5.00
73642-2109	72	SELECTIVE GOLD/SELECTIVE TIN	23.84	22.00	5.50
73642-2209	72	SELECTIVE GOLD/SELECTIVE TIN	23.84	22.00	6.00
73642-3009	144	SELECTIVE GOLD/SELECTIVE TIN	47.84	46.00	5.00
73642-3109	144	SELECTIVE GOLD/SELECTIVE TIN	47.84	46.00	5.50
73642-3209	144	SELECTIVE GOLD/SELECTIVE TIN	47.84	46.00	6.00

INITIAL RELEASE EC NO: UCP2006-1564 DRAWN: JJONIAK 2006/01/31 CHECKED: JBINGHAM 2006/01/31 APPROVED: JBLIXLER 2006/02/02 REV: A	QUALITY SYMBOLS  = 0  = 0	GENERAL TOLERANCES (UNLESS SPECIFIED)		DIMENSION STYLE MM ONLY		SCALE ---	DESIGN UNITS METRIC	THIRD ANGLE PROJECTION	
			mm	INCH	DRAWN BY JJONIAK	DATE 2005/11/01	TITLE SALES ASSEMBLY LEADFREE HDM BACKPLANE MODULE OPEN END OPTION		
		4 PLACES	±---	±---	CHECKED BY JBINGHAM	DATE 2005/11/01	MOLEX INCORPORATED		
		3 PLACES	±---	±---	APPROVED BY JBINGHAM	DATE 2005/11/01	MATERIAL NO. SEE CHART	DOCUMENT NO. SD-73642-003	SHEET NO. 2 OF 2
DRAFT WHERE APPLICABLE MUST REMAIN WITHIN DIMENSIONS		ANGULAR ±1/2°		1 PLACE		THIS DRAWING CONTAINS INFORMATION THAT IS PROPRIETARY TO MOLEX INCORPORATED AND SHOULD NOT BE USED WITHOUT WRITTEN PERMISSION			