

## Excellent Integrated System Limited

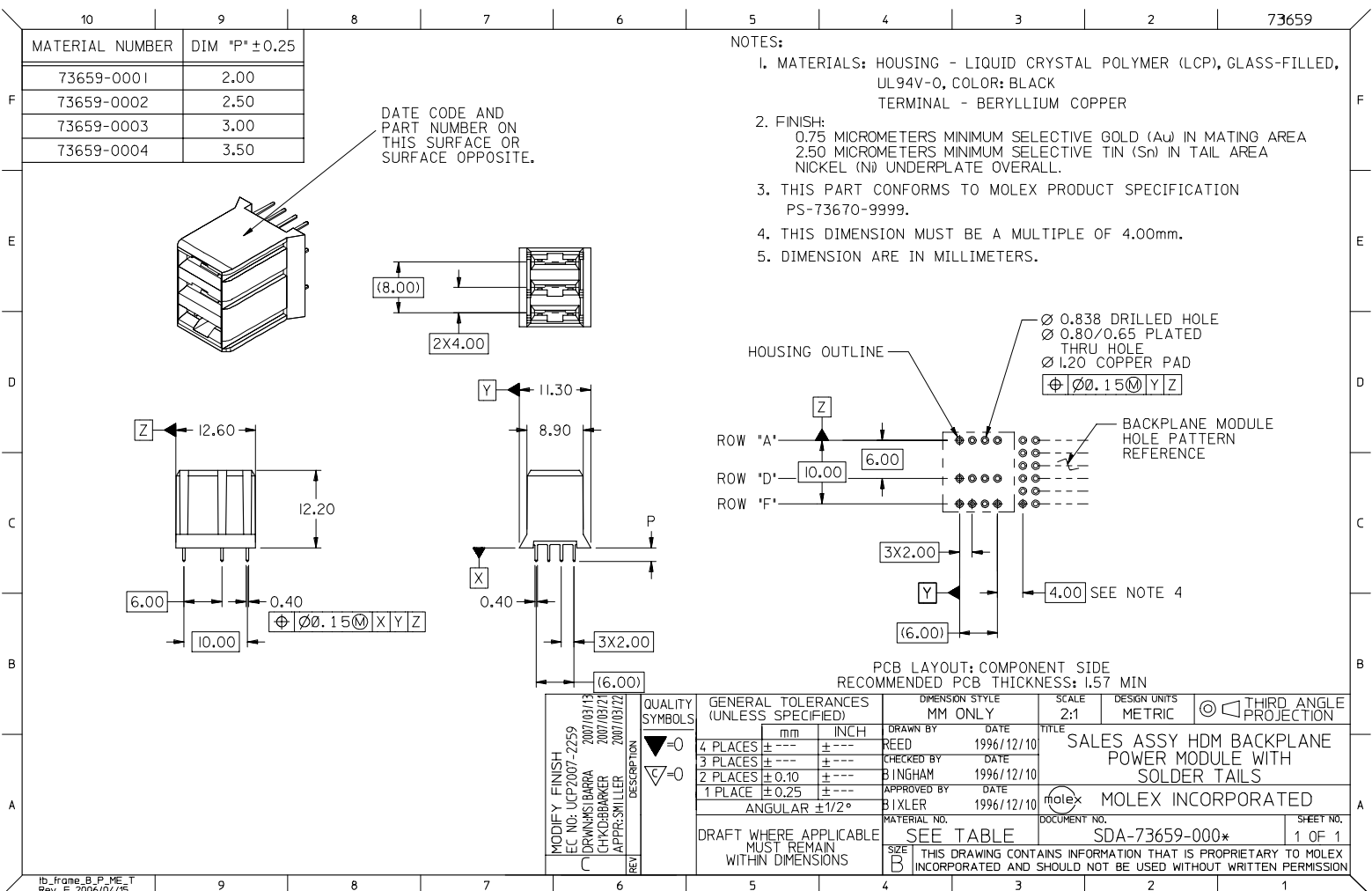
Stocking Distributor

Click to view price, real time Inventory, Delivery & Lifecycle Information:

[Molex Connector Corporation](#)  
[0736590001](#)

For any questions, you can email us directly:

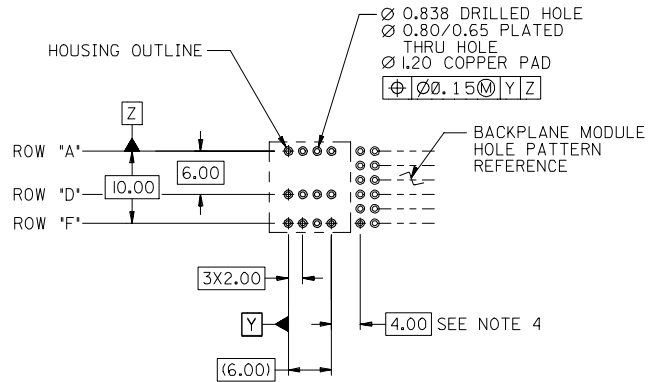
[sales@integrated-circuit.com](mailto:sales@integrated-circuit.com)



DATE CODE AND PART NUMBER ON THIS SURFACE OR SURFACE OPPOSITE.

NOTES:

1. MATERIALS: HOUSING - LIQUID CRYSTAL POLYMER (LCP), GLASS-FILLED, UL94V-0, COLOR: BLACK  
TERMINAL - BERYLLIUM COPPER
2. FINISH:  
0.75 MICROMETERS MINIMUM SELECTIVE GOLD (Au) IN MATING AREA  
2.50 MICROMETERS MINIMUM SELECTIVE TIN (Sn) IN TAIL AREA  
NICKEL (Ni) UNDERPLATE OVERALL.
3. THIS PART CONFORMS TO MOLEX PRODUCT SPECIFICATION PS-73670-9999.
4. THIS DIMENSION MUST BE A MULTIPLE OF 4.00mm.
5. DIMENSION ARE IN MILLIMETERS.



PCB LAYOUT: COMPONENT SIDE  
RECOMMENDED PCB THICKNESS: 1.57 MIN

MODIFY FINISH EC NO. UCP2007-2259 DRAWN BY: BARBA 2007/03/13 CHECKED BY: BARKER 2007/03/14 APPR: SHILLER 2007/03/12	QUALITY SYMBOLS ▽=0 ▽=0	GENERAL TOLERANCES (UNLESS SPECIFIED)		DIMENSION STYLE		SCALE	DESIGN UNITS	THIRD ANGLE PROJECTION	
				MM ONLY		2:1	METRIC		
				mm	INCH	DRAWN BY	DATE	TITLE	
				4 PLACES ±---	±---	REED	1996/12/10	SALES ASSY HDM BACKPLANE POWER MODULE WITH SOLDER TAILS	
		3 PLACES ±---	±---	CHECKED BY	DATE	MOLEX INCORPORATED			
		2 PLACES ±0.10	±---	BINGHAM	1996/12/10	MATERIAL NO. SDA-73659-000*			
		1 PLACE ±0.25	±---	APPROVED BY	DATE	DOCUMENT NO.			
		ANGULAR ±1/2°		BIXLER	1996/12/10	SHEET NO.			
				DRAFT WHERE APPLICABLE MUST REMAIN WITHIN DIMENSIONS		SEE TABLE		1 OF 1	
				MATERIAL NO. SDA-73659-000*		THIS DRAWING CONTAINS INFORMATION THAT IS PROPRIETARY TO MOLEX INCORPORATED AND SHOULD NOT BE USED WITHOUT WRITTEN PERMISSION			