



Distributor of Molex Connector Corporation: Excellent Integrated System Limited

Datasheet of 0738090100 - 72CKT HDM MDPLN HSG W/END

Contact us: sales@integrated-circuit.com Website: www.integrated-circuit.com

Excellent Integrated System Limited

Stocking Distributor

Click to view price, real time Inventory, Delivery & Lifecycle Information:

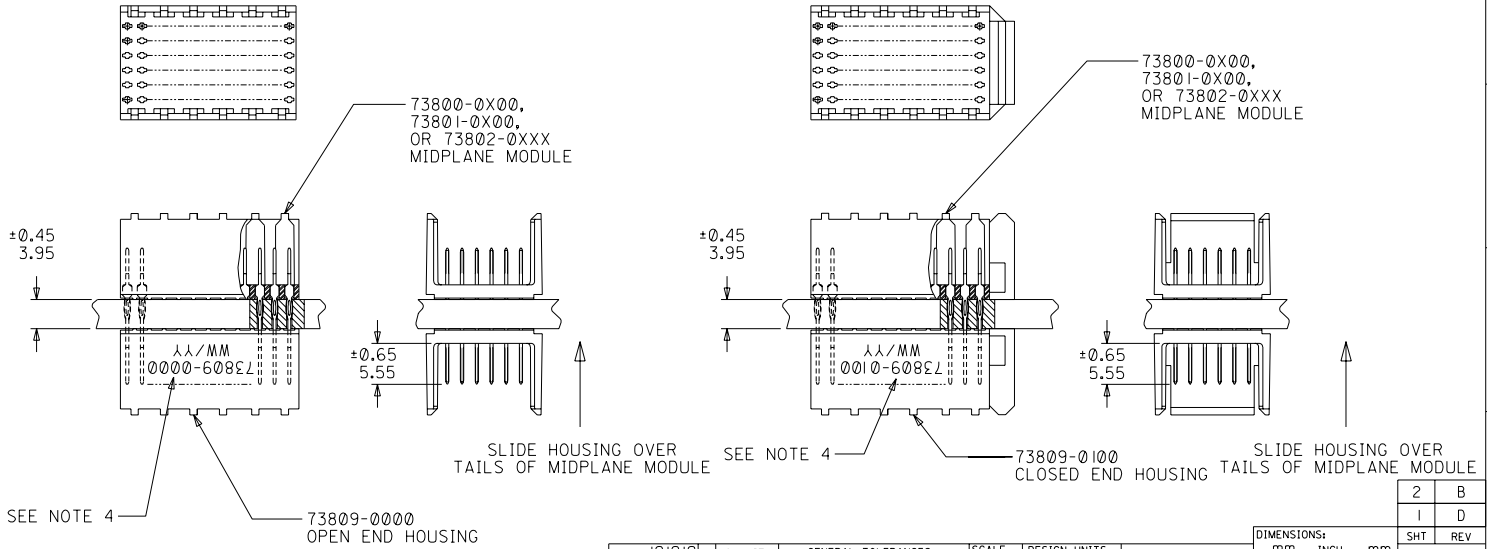
[Molex Connector Corporation](#)
[0738090100](#)

For any questions, you can email us directly:

sales@integrated-circuit.com

NOTES:

- HOUSING MATERIALS: LIQUID CRYSTAL POLYMER (LCP), GLASS-FILLED, UL94V-0, COLOR: BLACK.
- THIS PART CONFORMS TO MOLEX PRODUCT SPECIFICATION PS-73670-9999.
- SEE DRAWINGS SD-73800-001, SD-73801-001, AND SD-73802-001 FOR DIMENSIONAL INFORMATION.
- PARTS MARKED WITH PART NUMBER AND DATE CODE, ON EITHER SIDE, APPROXIMATELY WHERE SHOWN.
- PARTS PACKAGED PER PK-70873-0818.



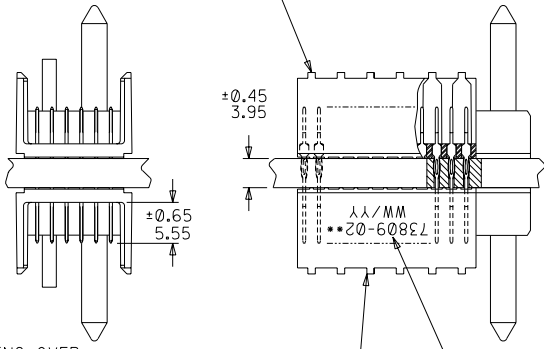
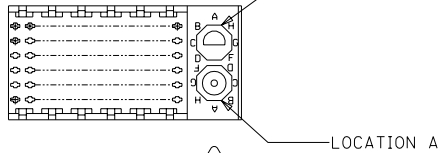
REVISED EC NO: LUCP2003-2260 DRAWN: THOMAS 03/04/25 CHK: BINGHAM 03/04/25 APPR: SREED 03/04/25 D	QUALITY SYMBOLS MAJOR ∇ = 0 CRITICAL ∇ / C = 0 REV	DESCRIPTION 73809-0100 CLOSED END HOUSING	GENERAL TOLERANCES: (UNLESS SPECIFIED) mm INCH		SCALE 2 : 1	DESIGN UNITS <input checked="" type="checkbox"/> mm <input type="checkbox"/> INCH	THIRD ANGLE PROJECTION	DIMENSIONS: <input type="checkbox"/> mm <input type="checkbox"/> INCH <input checked="" type="checkbox"/> mm ONLY <input type="checkbox"/> INCH ONLY		SHEET NO. 2 OF 2 REV I D
			4 PLACES ±0. ±.	DRAWN BY & DATE JBINGHAM 97/06/19	TITLE: SALES ASSEMBLY, HDM DOUBLE-END MIDPLANE, 72 POS. SLIDE-ON HOUSING					
			3 PLACES ±0. ±.	CHECKED BY & DATE SREED 97/06/19	MOLEX INCORPORATED					
			2 PLACES ±0.05 ±.	APPROVED BY & DATE CBIXLER 97/06/19	CAD FILENAME S73809X1.DGN	MATERIAL NO. SEE CHART	DRAWING NO. SD-73809-001	SHEET NO. 1 OF 2		
1 PLACE ±0.15 ±.			ANGULAR: ± 1/2°		THIS DRAWING CONTAINS INFORMATION THAT IS PROPRIETARY TO MOLEX INCORPORATED AND SHOULD NOT BE USED WITHOUT WRITTEN PERMISSION.					
DRAFT WHERE APPLICABLE MUST REMAIN WITHIN DIMENSIONS										

73809- * * * *

0 = 72-CIRCUIT

0 = OPEN END VERSION
1 = CLOSED END VERSION
2 = POLAR/GUIDE VERSION

73800-0X00,
73801-0X00,
OR 73802-0XXX
MIDPLANE MODULE



NUMBER	GUIDE POST LOCATION	POLAR KEY POSITION
00	N/A	N/A
01	B	A
02	A	A
03	B	B
04	A	B
05	B	C
06	A	C
07	B	D
08	A	D
09	B	E
10	A	E
11	B	F
12	A	F
13	B	G
14	A	G
15	B	H
16	A	H
17	B	N/A
18	A	N/A

SLIDE HOUSING OVER TAILS OF MIDPLANE MODULE

73809-02XX POLAR/GUIDE HOUSING

SEE NOTE 5

SEE SHEET 1 EC NO. UDT2000-0443 DRW: JBINGHAM 99/11/04 CHK: SREED 99/11/04 APPR: CBIXLER 99/11/04	QUALITY SYMBOLS MAJOR = 0 CRITICAL = 0 C = 0	GENERAL TOLERANCES: (UNLESS SPECIFIED)	SCALE 2 : 1	DESIGN UNITS <input checked="" type="checkbox"/> mm <input type="checkbox"/> INCH	DIMENSIONS: <input type="checkbox"/> mm <input type="checkbox"/> INCH <input checked="" type="checkbox"/> mm ONLY	SHT 2	REV 1	
		4 PLACES ±0.1 ±. 3 PLACES ±0.1 ±. 2 PLACES ±0.05 ±. 1 PLACE ±0.10 ±.	DRAWN BY & DATE JBINGHAM 97/06/19 CHECKED BY & DATE SREED 97/06/19 APPROVED BY & DATE CBIXLER 97/06/19	TITLE: SALES ASSEMBLY, HDM DOUBLE-END MIDPLANE, 72 POS. SLIDE-ON HOUSING	MOLEX INCORPORATED	CAD FILENAME S73809X2.DGN	MATERIAL NO. SEE CHART	DRAWING NO. SD-73809-001
DRAFT WHERE APPLICABLE MUST REMAIN WITHIN DIMENSIONS		THIS DRAWING CONTAINS INFORMATION THAT IS PROPRIETARY TO MOLEX INCORPORATED AND SHOULD NOT BE USED WITHOUT WRITTEN PERMISSION.						SIZE B