

## **Excellent Integrated System Limited**

Stocking Distributor

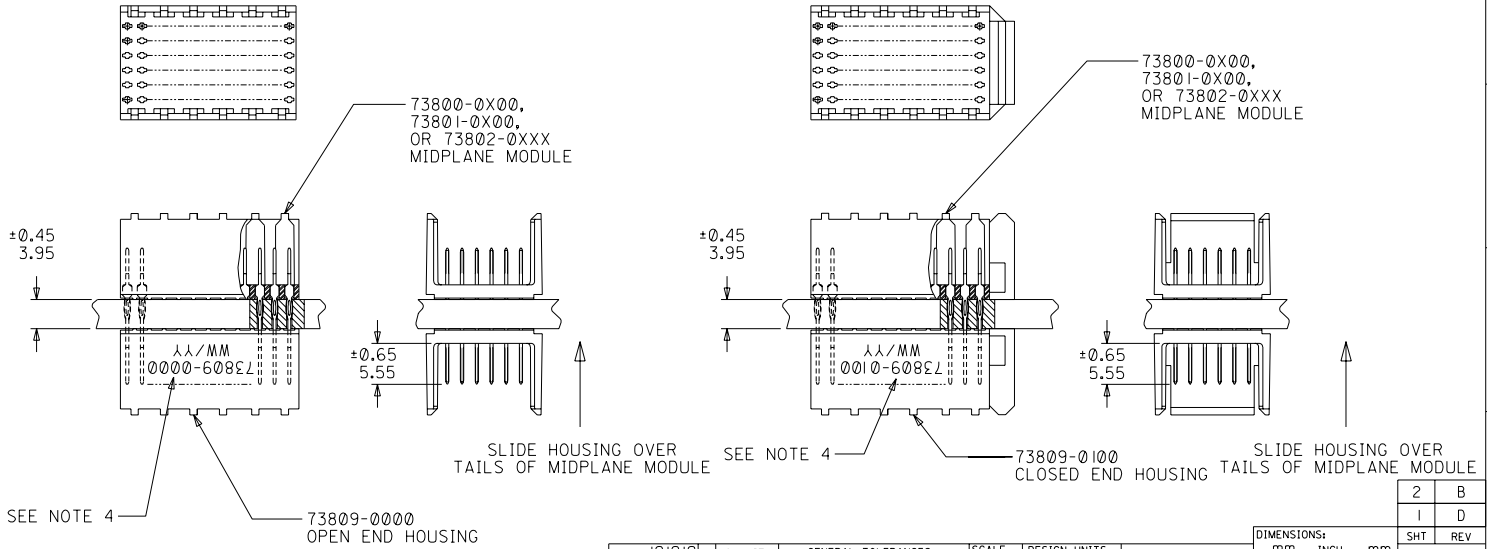
Click to view price, real time Inventory, Delivery & Lifecycle Information:

[Molex Connector Corporation](#)  
[0738090200](#)

For any questions, you can email us directly:  
[sales@integrated-circuit.com](mailto:sales@integrated-circuit.com)

**NOTES:**

- HOUSING MATERIALS: LIQUID CRYSTAL POLYMER (LCP), GLASS-FILLED, UL94V-0, COLOR: BLACK.
- THIS PART CONFORMS TO MOLEX PRODUCT SPECIFICATION PS-73670-9999.
- SEE DRAWINGS SD-73800-001, SD-73801-001, AND SD-73802-001 FOR DIMENSIONAL INFORMATION.
- PARTS MARKED WITH PART NUMBER AND DATE CODE, ON EITHER SIDE, APPROXIMATELY WHERE SHOWN.
- PARTS PACKAGED PER PK-70873-0818.



REVISED EC NO: LUCP2003-2260 DRAWN: THOMAS 03/04/25 CHK: BINGHAM 03/04/25 APPR: REED 03/04/25 D	QUALITY SYMBOLS MAJOR $\nabla$ = 0 CRITICAL $\nabla$ / C = 0 REV	DESCRIPTION 72CKT HDM MIDPLANE HOUSING	GENERAL TOLERANCES: (UNLESS SPECIFIED)		SCALE 2 : 1	DESIGN UNITS <input checked="" type="checkbox"/> mm <input type="checkbox"/> INCH	THIRD ANGLE PROJECTION <input checked="" type="checkbox"/>	DIMENSIONS: <input type="checkbox"/> mm <input type="checkbox"/> INCH <input type="checkbox"/> mm ONLY <input checked="" type="checkbox"/> mm ONLY		SHT 2	B
					DRAWN BY & DATE	TITLE: SALES ASSEMBLY, HDM		I 1	D		
					CHECKED BY & DATE	DOUBLE-END MIDPLANE, 72 POS.		REVISE ON CAD ONLY	REV		
					APPROVED BY & DATE	SLIDE-ON HOUSING					
			ANGULAR: $\pm 1/2^\circ$		CAD FILENAME	MOLEX INCORPORATED		MATERIAL NO.		DRAWING NO.	SHEET NO.
			DRAFT WHERE APPLICABLE MUST REMAIN WITHIN DIMENSIONS		S73809X1.DGN	SEE CHART		SD-73809-001		1 OF 2	SIZE B
THIS DRAWING CONTAINS INFORMATION THAT IS PROPRIETARY TO MOLEX INCORPORATED AND SHOULD NOT BE USED WITHOUT WRITTEN PERMISSION.											

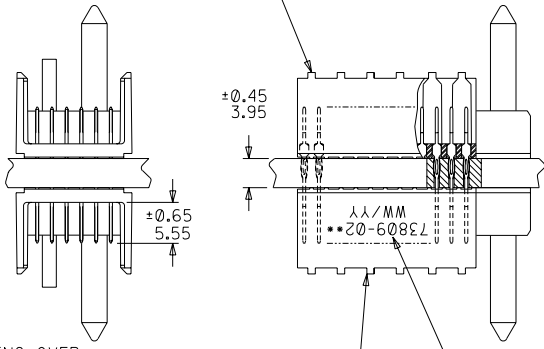
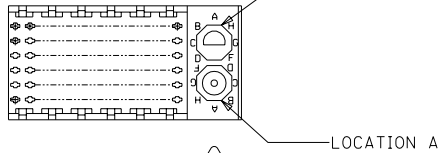
**MATERIAL NUMBER ASSIGNMENT**

73809- \* \* \* \*

0 = 72-CIRCUIT

0 = OPEN END VERSION  
1 = CLOSED END VERSION  
2 = POLAR/GUIDE VERSION

73800-0X00,  
73801-0X00,  
OR 73802-0XXX  
MIDPLANE MODULE



NUMBER	GUIDE POST LOCATION	POLAR KEY POSITION
00	N/A	N/A
01	B	A
02	A	A
03	B	B
04	A	B
05	B	C
06	A	C
07	B	D
08	A	D
09	B	E
10	A	E
11	B	F
12	A	F
13	B	G
14	A	G
15	B	H
16	A	H
17	B	N/A
18	A	N/A

SLIDE HOUSING OVER TAILS OF MIDPLANE MODULE

73809-02XX POLAR/GUIDE HOUSING

SEE NOTE 5

SEE SHEET 1 EC NO. UDT2000-0443 DRW: JBINGHAM 99/11/04 CHK: SREED 99/11/04 APPR: CBIXLER 99/11/04	QUALITY SYMBOLS MAJOR = 0 CRITICAL = 0 C = 0	GENERAL TOLERANCES: (UNLESS SPECIFIED) mm INCH 4 PLACES ±0. ±. 3 PLACES ±0. ±. 2 PLACES ±0.05 ±. 1 PLACE ±0.10 ±. ANGULAR: ± 1/2°	SCALE 2 : 1 DESIGN UNITS <input checked="" type="checkbox"/> mm <input type="checkbox"/> INCH DRAWN BY & DATE JBINGHAM 97/06/19 CHECKED BY & DATE SREED 97/06/19 APPROVED BY & DATE CBIXLER 97/06/19	DIMENSIONS: <input type="checkbox"/> mm <input type="checkbox"/> INCH <input type="checkbox"/> mm ONLY <input checked="" type="checkbox"/> mm ONLY THIRD ANGLE PROJECTION	SHT	REV
					2	1
TITLE: SALES ASSEMBLY, HDM DOUBLE-END MIDPLANE, 72 POS. SLIDE-ON HOUSING				MOLEX INCORPORATED		
CAD FILENAME: S73809X2.DGN		MATERIAL NO. SD-73809-001		SHEET NO. 2		
DRAFT WHERE APPLICABLE MUST REMAIN WITHIN DIMENSIONS				THIS DRAWING CONTAINS INFORMATION THAT IS PROPRIETARY TO MOLEX INCORPORATED AND SHOULD NOT BE USED WITHOUT WRITTEN PERMISSION.		