

## Excellent Integrated System Limited

Stocking Distributor

Click to view price, real time Inventory, Delivery & Lifecycle Information:

[Molex Connector Corporation](#)  
[0739431000](#)

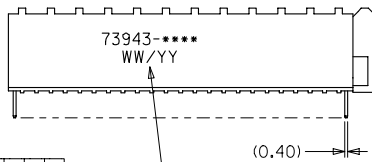
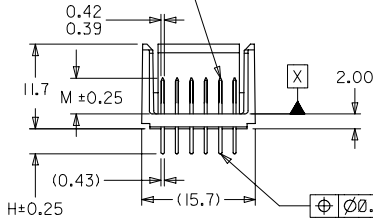
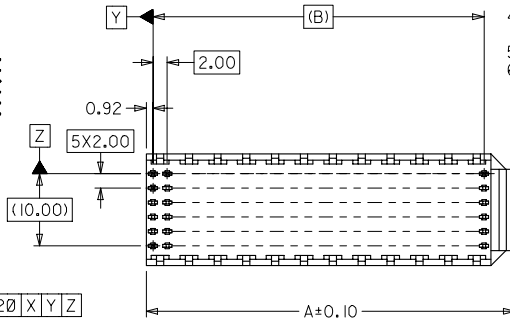
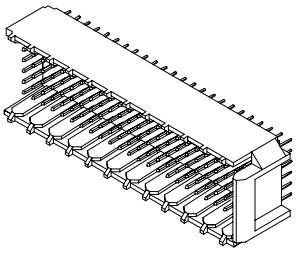
For any questions, you can email us directly:

[sales@integrated-circuit.com](mailto:sales@integrated-circuit.com)

10 9 8 7 6 5 4 3 2 73943

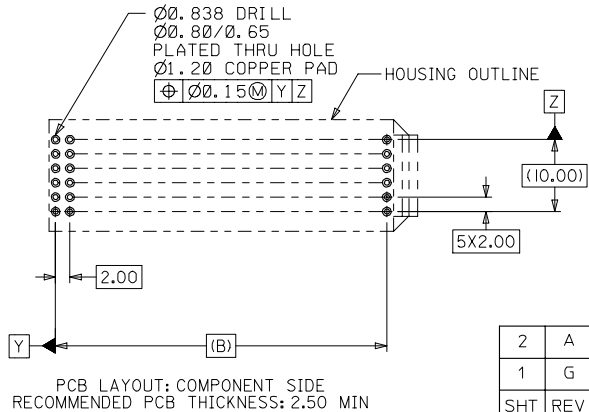
**NOTES:**

1. MATERIALS: HOUSING--LIQUID CRYSTAL POLYMER (LCP), GLASS FILLED, UL94V-0, COLOR: BLACK, TERMINAL: PHOSPHOR BRONZE.
2. FINISH: 0.75 MICROMETERS MINIMUM SELECTIVE GOLD (Au) IN MATING AREA 2.50 MICROMETERS MINIMUM SELECTIVE TIN (Sn) IN TAIL AREA NICKEL (Ni) UNDERPLATE OVERALL.
3. THIS PART CONFORMS TO MOLEX PRODUCT SPECIFICATION PS-73670-9999.
4. FOR MIXED CONTACT MATING LENGTHS, CONSULT FACTORY FOR AVAILABILITY.
5. PACKAGE PER PK-70873-0818.
6. PARTS MARKED WITH PART NUMBER AND DATE CODE, ON EITHER SIDE, APPROXIMATELY WHERE SHOWN.



73943-\*\*\*\*  
WW/YY

SEE NOTE 6



PCB LAYOUT: COMPONENT SIDE  
RECOMMENDED PCB THICKNESS: 2.50 MIN

|     |     |
|-----|-----|
| 2   | A   |
| 1   | G   |
| SHT | REV |

|                                                                                                                                       |                                      |                                              |           |                                                                                                                                  |                    |                                                                             |                        |                           |  |
|---------------------------------------------------------------------------------------------------------------------------------------|--------------------------------------|----------------------------------------------|-----------|----------------------------------------------------------------------------------------------------------------------------------|--------------------|-----------------------------------------------------------------------------|------------------------|---------------------------|--|
| <b>MODIFY FINISH NOTE</b><br>EC NO. UCP2007-2259<br>GIDRINKAS:BARBA 2007/03/13<br>CHYKID:BARBER 2007/03/12<br>APPR:SHILLER 2007/03/12 | <b>QUALITY SYMBOLS</b><br>▽=0<br>▽=0 | <b>GENERAL TOLERANCES (UNLESS SPECIFIED)</b> |           | <b>DIMENSION STYLE</b><br>MM ONLY                                                                                                |                    | SCALE<br>2:1                                                                | DESIGN UNITS<br>METRIC | THIRD ANGLE<br>PROJECTION |  |
|                                                                                                                                       |                                      | 4 PLACES ±--- ±---                           | mm INCH   | DRAWN BY<br>JB INGHAM                                                                                                            | DATE<br>1998/01/13 | TITLE<br>SALES ASSY HDM BACKPLANE<br>END WALL OPTION<br>SOLDER TAIL VERSION |                        |                           |  |
|                                                                                                                                       |                                      | 3 PLACES ±--- ±---                           |           | CHECKED BY<br>SREED                                                                                                              | DATE<br>1998/01/13 | MOLEX INCORPORATED                                                          |                        |                           |  |
|                                                                                                                                       |                                      | 2 PLACES ±0.05 ±---<br>1 PLACE ±0.10 ±---    |           | APPROVED BY<br>EBIXLER                                                                                                           | DATE<br>1998/01/13 | MATERIAL NO. SD-73943-001<br>DOCUMENT NO.                                   |                        |                           |  |
| DRAFT WHERE APPLICABLE<br>MUST REMAIN<br>WITHIN DIMENSIONS                                                                            |                                      | SEE CHART                                    | SIZE<br>B | THIS DRAWING CONTAINS INFORMATION THAT IS PROPRIETARY TO MOLEX<br>INCORPORATED AND SHOULD NOT BE USED WITHOUT WRITTEN PERMISSION |                    |                                                                             |                        | SHEET NO.<br>1 OF 2       |  |

9 8 7 6 5 4 3 2 1

**MATERIAL NUMBER ASSIGNMENT**

73943-\* \* 0 0

| NUMBER | CIRCUIT SIZE | DIM "A" | DIM "B" | DIM "H" |
|--------|--------------|---------|---------|---------|
| 0      | 72           | 27.6    | 22.00   | 2.0     |
| 1      | 144          | 51.6    | 46.00   | 2.0     |
| 2      | 72           | 27.6    | 22.00   | 2.5     |
| 3      | 144          | 51.6    | 46.00   | 2.5     |
| 4      | 72           | 27.6    | 22.00   | 3.0     |
| 5      | 144          | 51.6    | 46.00   | 3.0     |
| 6      | 72           | 27.6    | 22.00   | 3.5     |
| 7      | 144          | 51.6    | 46.00   | 3.5     |

| NUMBER | DIM "M" |
|--------|---------|
| 0      | 5.0     |
| 1      | 5.5     |
| 2      | 6.0     |

|                                                                                        |                                         |                                                      |                                                                                                                                                       |                                                                                                                                                                                                                                                            |                                                                                                                                                                                                                  |                                                                                                   |                           |                             |                |           |
|----------------------------------------------------------------------------------------|-----------------------------------------|------------------------------------------------------|-------------------------------------------------------------------------------------------------------------------------------------------------------|------------------------------------------------------------------------------------------------------------------------------------------------------------------------------------------------------------------------------------------------------------|------------------------------------------------------------------------------------------------------------------------------------------------------------------------------------------------------------------|---------------------------------------------------------------------------------------------------|---------------------------|-----------------------------|----------------|-----------|
| SEE SHEET 1<br>EC NO. 081577<br>DRAWN BY BINGHAM<br>CHK: REED<br>APPR: BIXLER<br>REV A | DESCRIPTION<br>MAJOR<br>CRITICAL<br>✓/0 | QUALITY SYMBOLS<br>=0<br>✓/0                         | GENERAL TOLERANCES:<br>(UNLESS SPECIFIED)<br>mm INCH<br>4 PLACES ±0. ±.<br>3 PLACES ±0. ±.<br>2 PLACES ±0.N/A ±.<br>1 PLACE ±0.NA/ ±.<br>ANGULAR: ± ° | SCALE NO: NE<br>DESIGN UNITS: <input checked="" type="checkbox"/> mm <input type="checkbox"/> INCH<br>DRAWN BY & DATE<br>BINGHAM 98/01/13<br>CHECKED BY & DATE<br>SREED 98/01/13<br>APPROVED BY & DATE<br>CBIXLER 98/01/13<br>CAD FILENAME<br>S73943X2.DGN | THIRD ANGLE PROJECTION<br>DIMENSIONS:<br><input type="checkbox"/> mm <input type="checkbox"/> INCH<br><input type="checkbox"/> mm <input checked="" type="checkbox"/> INCH ONLY<br>SHT REV<br>REVISE ON CAD ONLY | TITLE: SALES ASS'Y, HDM BACKPLANE<br>END WALL OPTION<br>SOLDER TAIL VERSION<br>MOLEX INCORPORATED | MATERIAL NO.<br>SEE CHART | DRAWING NO.<br>SD-73943-001 | SHEET NO.<br>2 | SIZE<br>B |
|                                                                                        |                                         | DRAFT WHERE APPLICABLE MUST REMAIN WITHIN DIMENSIONS |                                                                                                                                                       | THIS DRAWING CONTAINS INFORMATION THAT IS PROPRIETARY TO MOLEX INCORPORATED AND SHOULD NOT BE USED WITHOUT WRITTEN PERMISSION.                                                                                                                             |                                                                                                                                                                                                                  |                                                                                                   |                           |                             |                |           |