

Excellent Integrated System Limited

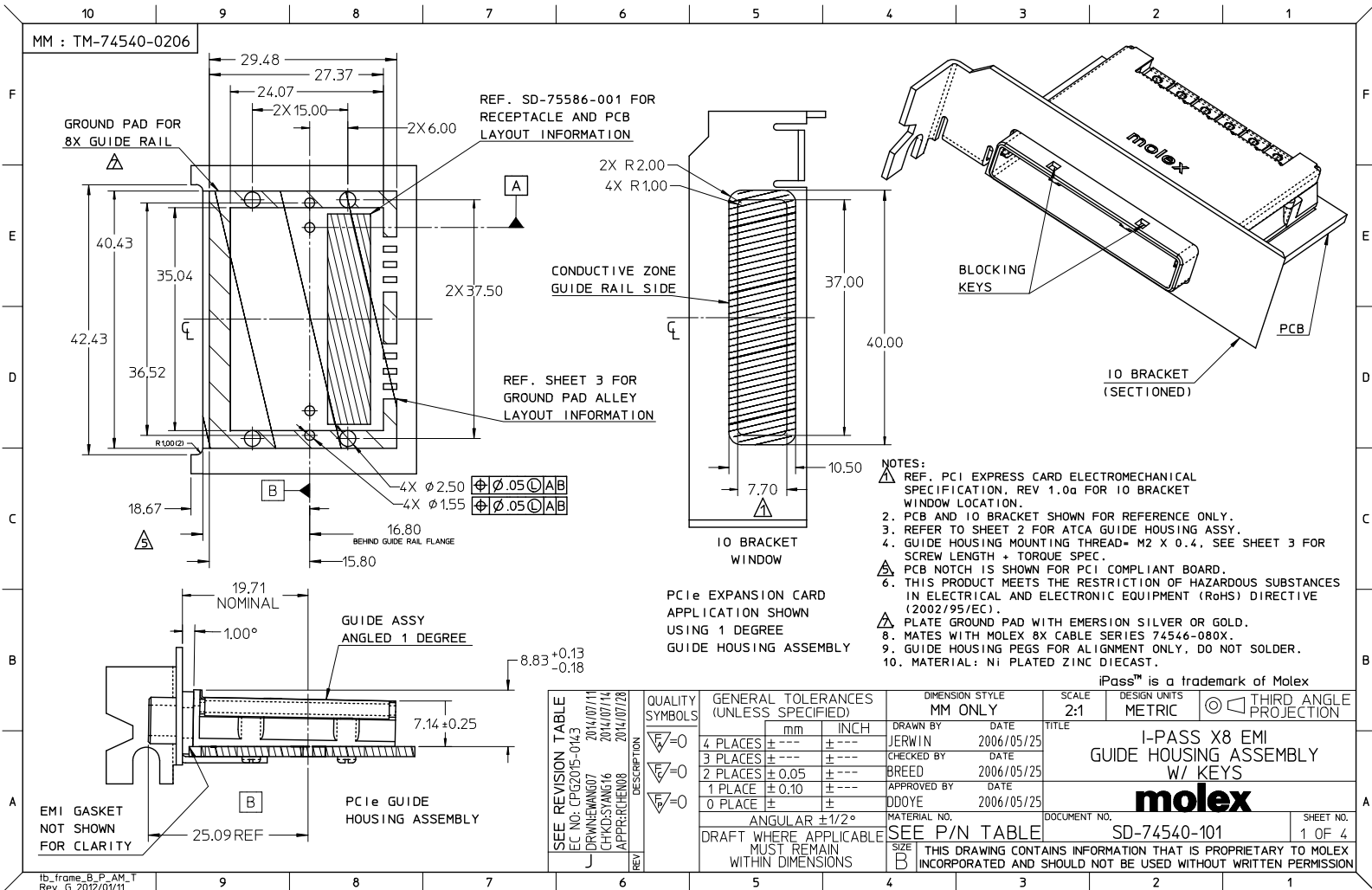
Stocking Distributor

Click to view price, real time Inventory, Delivery & Lifecycle Information:

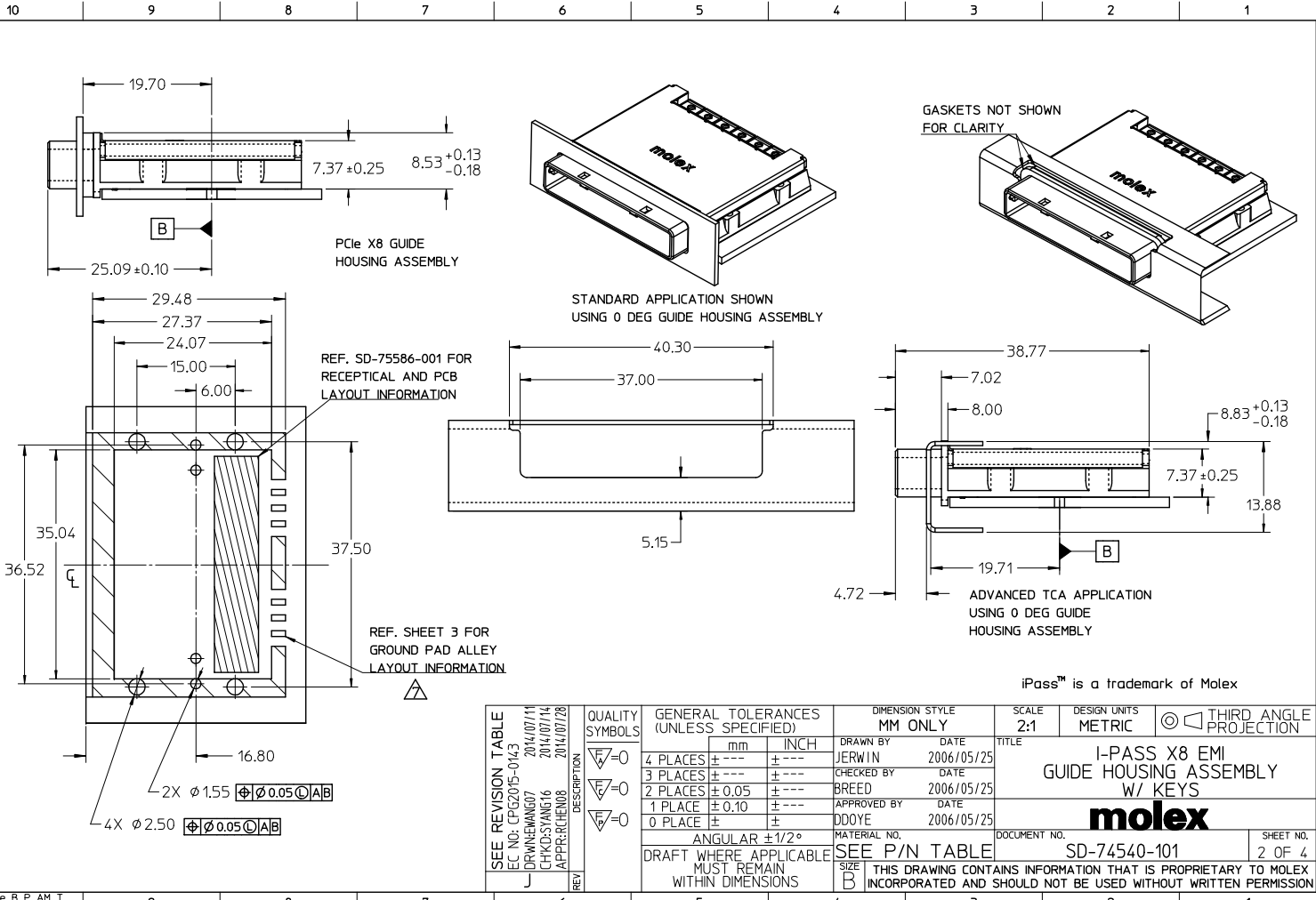
[Molex Connector Corporation](#)
[0745400201](#)

For any questions, you can email us directly:

sales@integrated-circuit.com



QUALITY SYMBOLS	GENERAL TOLERANCES (UNLESS SPECIFIED)		DIMENSION STYLE		SCALE	DESIGN UNITS	THIRD ANGLE PROJECTION
	mm	INCH	MM ONLY	DATE			
√=0	4 PLACES ±	±	DRAWN BY	DATE	2:1	METRIC	I-PASS X8 EM I GUIDE HOUSING ASSEMBLY W/ KEYS
√=0	3 PLACES ±	±	JERWIN	2006/05/25			
√=0	2 PLACES ±	±	CHECKED BY	DATE			molex
√=0	1 PLACE ±	±	BREED	2006/05/25			
√=0	0 PLACE ±	±	APPROVED BY	DATE			SD-74540-101
			DDOYE	2006/05/25			
ANGULAR ±1/2°			MATERIAL NO.	DOCUMENT NO.			SHEET NO.
DRAFT WHERE APPLICABLE MUST REMAIN WITHIN DIMENSIONS			SEE P/N TABLE				1 OF 4
<small>THIS DRAWING CONTAINS INFORMATION THAT IS PROPRIETARY TO MOLEX INCORPORATED AND SHOULD NOT BE USED WITHOUT WRITTEN PERMISSION</small>							

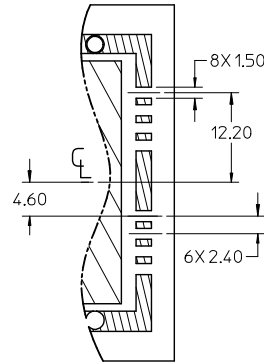


SEE REVISION TABLE EC NO: CP62015-0143 DRAWN BY: JERWIN CHECKED BY: BREED APPROVED BY: DDOYE DATE: 2014/07/11 DATE: 2014/07/14 DATE: 2014/07/28	QUALITY SYMBOLS $\nabla=0$ $\nabla=0$ $\nabla=0$	GENERAL TOLERANCES (UNLESS SPECIFIED) <table border="1"> <tr> <th></th> <th>mm</th> <th>INCH</th> </tr> <tr> <td>4 PLACES</td> <td>± 0.10</td> <td>± 0.004</td> </tr> <tr> <td>3 PLACES</td> <td>± 0.15</td> <td>± 0.006</td> </tr> <tr> <td>2 PLACES</td> <td>± 0.20</td> <td>± 0.008</td> </tr> <tr> <td>1 PLACE</td> <td>± 0.30</td> <td>± 0.012</td> </tr> <tr> <td>0 PLACE</td> <td>± 0.40</td> <td>± 0.016</td> </tr> </table>		mm	INCH	4 PLACES	± 0.10	± 0.004	3 PLACES	± 0.15	± 0.006	2 PLACES	± 0.20	± 0.008	1 PLACE	± 0.30	± 0.012	0 PLACE	± 0.40	± 0.016	DIMENSION STYLE MM ONLY	SCALE: 2:1 DESIGN UNITS: METRIC THIRD ANGLE PROJECTION	DRAWN BY: JERWIN CHECKED BY: BREED APPROVED BY: DDOYE DATE: 2006/05/25 DATE: 2006/05/25 DATE: 2006/05/25	TITLE: I-PASS X8 EMI GUIDE HOUSING ASSEMBLY W/ KEYS molex DOCUMENT NO. SD-74540-101 SHEET NO. 2 OF 4
		mm	INCH																					
	4 PLACES	± 0.10	± 0.004																					
	3 PLACES	± 0.15	± 0.006																					
2 PLACES	± 0.20	± 0.008																						
1 PLACE	± 0.30	± 0.012																						
0 PLACE	± 0.40	± 0.016																						
MATERIAL NO. SEE P/N TABLE DRAFT WHERE APPLICABLE MUST REMAIN WITHIN DIMENSIONS	THIS DRAWING CONTAINS INFORMATION THAT IS PROPRIETARY TO MOLEX INCORPORATED AND SHOULD NOT BE USED WITHOUT WRITTEN PERMISSION																							
		SIZE B																						
		THIS DRAWING CONTAINS INFORMATION THAT IS PROPRIETARY TO MOLEX INCORPORATED AND SHOULD NOT BE USED WITHOUT WRITTEN PERMISSION																						

10 9 8 7 6 5 4 3 2 1

MOLEX P/N	DESCRIPTION	GEN
745400101	8x EMI Guide Housing Assembly - PCIe / 1 Deg	Gen 1
745400201	8x EMI Guide Housing Assembly - ATCA / 0 Deg	Gen 1

PCB THICKNESS	SCREW LENGTH	TORQUE (IN LBS)
1.6 (.063")	5MM	2.3
2.38 (.093")	6MM	2.3
3.2 (.125")	6MM	2.3
X	+4MM MAX	2.3



GROUND PAD ALLEY LAYOUT INFORMATION




SEE REVISION TABLE EC NO: CP62015-0143 J DRW:WANG07 2014/07/11 CHK:DSYANG16 2014/07/14 APPR:RCHEN08 2014/07/26 REV	QUALITY SYMBOLS	GENERAL TOLERANCES (UNLESS SPECIFIED)	DIMENSION STYLE	SCALE	DESIGN UNITS	THIRD ANGLE PROJECTION
	$\nabla=0$ $\nabla=0$ $\nabla=0$	mm INCH 4 PLACES ± --- ± --- 3 PLACES ± --- ± --- 2 PLACES ± 0.05 ± --- 1 PLACE ± 0.10 ± --- 0 PLACE ± ±	MM ONLY	2:1	METRIC	DRAWN BY: JERWIN DATE: 2006/05/25 CHECKED BY: BREED DATE: 2006/05/25 APPROVED BY: DDOYE DATE: 2006/05/25 MATERIAL NO. SEE P/N TABLE DRAFT WHERE APPLICABLE MUST REMAIN WITHIN DIMENSIONS
		ANGULAR ±1/2°				TITLE: I-PASS X8 EMI GUIDE HOUSING ASSEMBLY W/ KEYS
						DOCUMENT NO. SD-74540-101 SHEET NO. 3 OF 4 THIS DRAWING CONTAINS INFORMATION THAT IS PROPRIETARY TO MOLEX INCORPORATED AND SHOULD NOT BE USED WITHOUT WRITTEN PERMISSION

9 8 7 6 5 4 3 2 1

REVISION HISTORY

DATE (YEAR/MONTH/DAY)	REV	DESCRIPTION
2013/12/18	H	1. ADDED NOTES 10. MATERIAL: Ni PLATED ZINC DIECAST. [SHT 1] 2. CHANGED W/ NEW MOLEX FORMAT
2014/07/11	J	1. CHANGED 25.16 TO 25.09REF TO MEET PCI EXPRESS EXTERNAL CABLING SPECIFICATION @A9 [SHEET 1] 2. ADDED MM 3D NO. @F10 [SHEET 1] 3. THE MOLEX CHARACTER FIGURE UPDATE @F2 [SHEET 1], @F2 F5 [SHEET 2] 4. CHANGED 25.09 TO 25.09+/-0.1 @E9 [SHEET 2]

SEE REVISION TABLE EC NO: CP62015-0143 DRAWN BY: JERWIN CHKD BY: CHKOSIANG16 APPR BY: CHEN08	QUALITY SYMBOLS	GENERAL TOLERANCES (UNLESS SPECIFIED)	DIMENSION STYLE	SCALE	DESIGN UNITS	THIRD ANGLE PROJECTION
	DESCRIPTION	mm INCH	MM ONLY	1:1	METRIC	
	▽=0	4 PLACES ± --- ± ---	DRAWN BY DATE	TITLE		
	▽=0	3 PLACES ± --- ± ---	JERWIN 2006/05/25	I-PASS X8 EMI GUIDE HOUSING ASSEMBLY W/ KEYS		
	▽=0	2 PLACES ± 0.05 ± ---	CHECKED BY DATE			
	1 PLACE ± 0.10 ± ---	BREED 2006/05/25				
	0 PLACE ± ±	APPROVED BY DATE	DOCUMENT NO.			
	ANGULAR ± 1/2°	DDOYE 2006/05/25	SD-74540-101			
	DRAFT WHERE APPLICABLE MUST REMAIN WITHIN DIMENSIONS	MATERIAL NO.	SHEET NO.			
		SEE P/N TABLE	4 OF 4			
		SIZE B	THIS DRAWING CONTAINS INFORMATION THAT IS PROPRIETARY TO MOLEX INCORPORATED AND SHOULD NOT BE USED WITHOUT WRITTEN PERMISSION			