

Excellent Integrated System Limited

Stocking Distributor

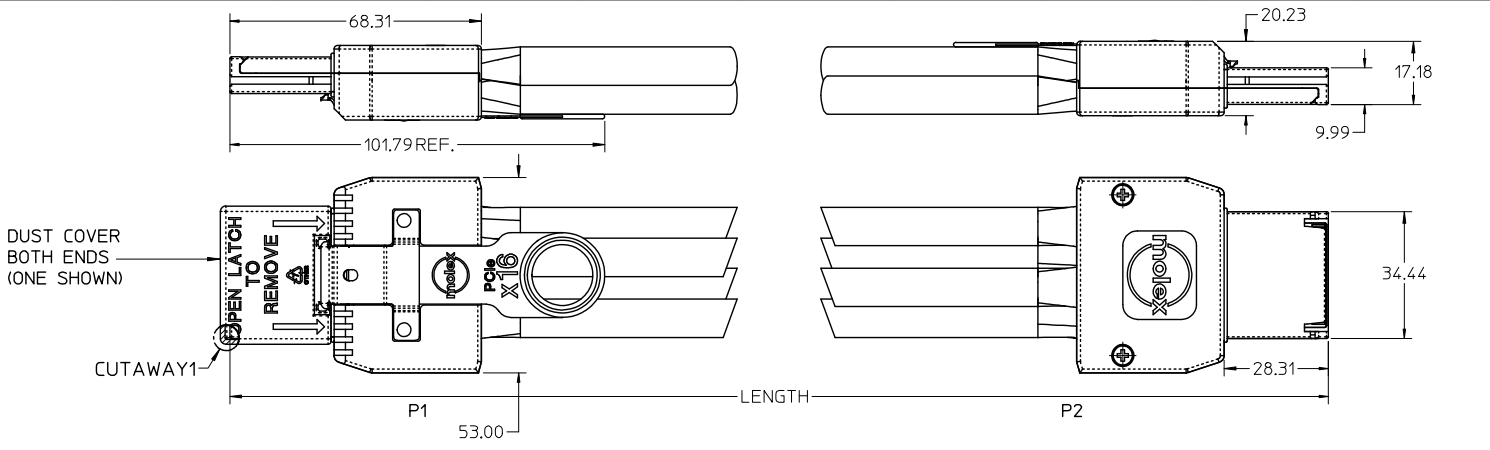
Click to view price, real time Inventory, Delivery & Lifecycle Information:

[Molex Connector Corporation](#)
[0745461604](#)

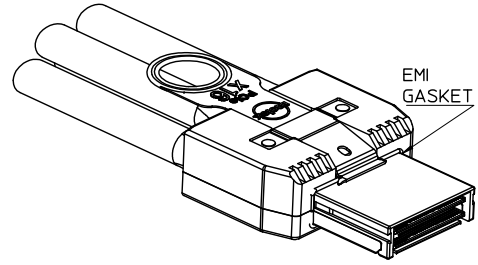
For any questions, you can email us directly:

sales@integrated-circuit.com

10 9 8 7 6 5 4 3 2 74546



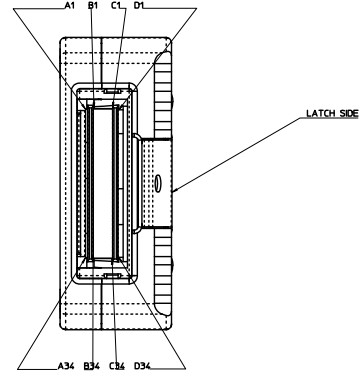
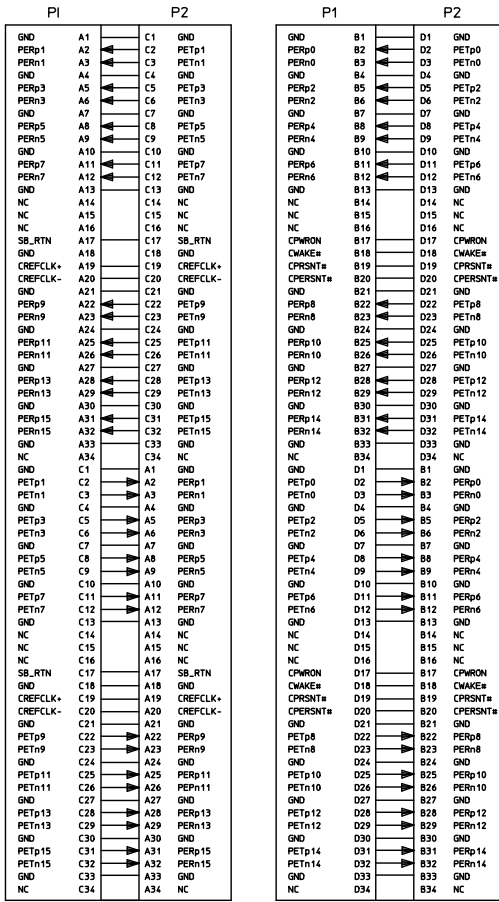
| MOLEX P/N | LENGTH | TOLERANCE | JACKET RATING |
|-----------|--------|-----------|---------------|
| 745461601 | 1M | 0.05M | VW1 |
| 745461602 | 2M | 0.05M | VW1 |
| 745461603 | 3M | 0.05M | VW1 |
| 745461604 | 4M | 0.10M | VW1 |
| 745461605 | 5M | 0.10M | CL2 |
| 745461606 | 6M | 0.13M | CL2 |
| 745461607 | 7M | 0.13M | CL2 |
| 745461608 | 8M | 0.13M | CL2 |
| 745461609 | 9M | 0.15M | CL2 |
| 745461610 | 10M | 0.15M | CL2 |
| 745461611 | 0.5M | 0.05M | VW1 |



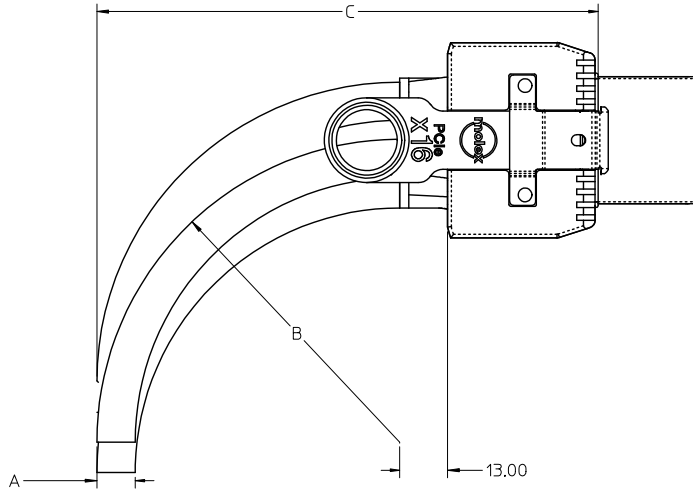
- NOTES:
- MATERIAL - BACKSHELLS - ZINC DIECAST
PULL - NYLON
CABLE JACKET - SEE TABLE
 - LENGTH AND TOLERANCE - SEE TABLE
 - ELECTRICAL PERFORMANCE PER PCI EXPRESS EXTERNAL CABLING SPEC. REV 0.4
 - PLUG MATES TO RECEPTACLE - EMI GUIDE HOUSING ASSY. 75581-0001
 - NOT COMPLIANT WITH INSERTION LOSS SPEC. PER THE PCIE CABLING SPEC.
 - ROHS COMPLIANT

| | | | | | | | | | |
|--|-------------------------------|---------------------------------------|----------------------|---|--------------------|--|------------------------------|------------------------|--|
| ADD DUST COVER EC NO: CP52013-2029 DRWNSPRAIT 2012/12/14 CHKDKWEBER 2012/12/14 APPRKKJANOJA 2013/01/09 | QUALITY SYMBOLS ▽=0 ▽=0 | GENERAL TOLERANCES (UNLESS SPECIFIED) | | DIMENSION STYLE MM ONLY | | SCALE 1:1 | DESIGN UNITS METRIC | THIRD ANGLE PROJECTION | |
| | | 4 PLACES ± --- ± --- | 3 PLACES ± --- ± --- | DRAWN BY BREED | DATE 2005/01/26 | TITLE I-PASS X16 CABLE ASSEMBLY GEN 1 | | | |
| | | 2 PLACES ± 0.13 ± --- | 1 PLACE ± 0.25 ± --- | CHECKED BY DDOYE | DATE 2005/01/26 | MOLEX INCORPORATED | | | |
| | | ANGULAR ±1/2° | | APPROVED BY DDOYE | DATE 2005/01/26 | MATERIAL NO. SEE TABLE | DOCUMENT NO. SD-74546-160 | SHEET NO. 1 OF 3 | |
| DRAFT WHERE APPLICABLE MUST REMAIN WITHIN DIMENSIONS | | | | THIS DRAWING CONTAINS INFORMATION THAT IS PROPRIETARY TO MOLEX INCORPORATED AND SHOULD NOT BE USED WITHOUT WRITTEN PERMISSION | | | | | |

9 8 7 6 5 4 3 2 1



| | | | | | | | |
|---|--|---|--------------------------|---|--|------------------------------|---------------------|
| ADD DUST COVER EC NO. CREF2013-2029 DRAWN/TRAIT 2012/07/14 CHECK/NUMBER 2012/07/14 APPROVE/DATE 2012/07/09 (REV) | QUALITY SYMBOLS | GENERAL TOLERANCES (UNLESS SPECIFIED) | DIMENSION STYLE | SCALE | DESIGN UNITS | THIRD ANGLE PROJECTION | |
| | 4 PLACES ±0.10 3 PLACES ±0.13 2 PLACES ±0.25 1 PLACE ±0.25 ANGULAR ±1/2° | mm INCH BREED DOOYE DOOYE DATE DATE DATE | MM ONLY 1:1 METRIC | DRAWN BY CHECKED BY APPROVED BY DATE DATE DATE | TITLE I-PASS X16 CABLE ASSEMBLY GEN 1 | DOCUMENT NO. SD-74546-160 | SHEET NO. 2 OF 3 |
| | DRAFT WHERE APPLICABLE MUST REMAIN WITHIN DIMENSIONS | | | MATERIAL NO. SEE TABLE | | MOLEX INCORPORATED | |
| | SIZE THIS DRAWING CONTAINS INFORMATION THAT IS PROPRIETARY TO MOLEX INCORPORATED AND SHOULD NOT BE USED WITHOUT WRITTEN PERMISSION | | | MATERIAL NO. SEE TABLE | | MOLEX INCORPORATED | |



| CABLE GAUGE | 24 | 26 | 28 |
|------------------------------|-------|------|------|
| A. CABLE DIAMETER | 10.4 | 9.3 | 8.4 |
| B. MINIMUM OUTER RADIUS | 46.9 | 41.7 | 37.7 |
| C. FACEPLATE TO OUTER RADIUS | 102.2 | 97.0 | 93.0 |

| ADD DUST COVER EC NO: CP62013-2029 DRW: TRAIT 2017/12/14 CHK: KMEBER 2017/12/14 APPR: JANOTA 2019/10/09 | QUALITY SYMBOLS ▽=0 ▽=0 | GENERAL TOLERANCES (UNLESS SPECIFIED) <table border="1"> <thead> <tr> <th></th> <th>mm</th> <th>INCH</th> </tr> </thead> <tbody> <tr> <td>4 PLACES</td> <td>±.005</td> <td>±.0004</td> </tr> <tr> <td>3 PLACES</td> <td>±.008</td> <td>±.0003</td> </tr> <tr> <td>2 PLACES</td> <td>±0.13</td> <td>±.005</td> </tr> <tr> <td>1 PLACE</td> <td>±0.25</td> <td>±.010</td> </tr> </tbody> </table> | | mm | INCH | 4 PLACES | ±.005 | ±.0004 | 3 PLACES | ±.008 | ±.0003 | 2 PLACES | ±0.13 | ±.005 | 1 PLACE | ±0.25 | ±.010 | DIMENSION STYLE MM ONLY | SCALE 1:1 | DESIGN UNITS METRIC | THIRD ANGLE PROJECTION |
|---|-------------------------------|--|--------|---------------------|------|----------|-------|--------|----------|-------|--------|----------|-------|-------|---------|-------|-------|----------------------------|--------------|------------------------|------------------------|
| | | mm | INCH | | | | | | | | | | | | | | | | | | |
| | 4 PLACES | ±.005 | ±.0004 | | | | | | | | | | | | | | | | | | |
| | 3 PLACES | ±.008 | ±.0003 | | | | | | | | | | | | | | | | | | |
| 2 PLACES | ±0.13 | ±.005 | | | | | | | | | | | | | | | | | | | |
| 1 PLACE | ±0.25 | ±.010 | | | | | | | | | | | | | | | | | | | |
| DRAWN BY BREED | DATE 2005/01/26 | TITLE I-PASS X16 CABLE ASSEMBLY GEN 1 | | | | | | | | | | | | | | | | | | | |
| CHECKED BY DDOYE | DATE 2005/01/26 | APPROVED BY DDOYE | | | | | | | | | | | | | | | | | | | |
| DATE 2005/01/26 | DATE 2005/01/26 | MATERIAL NO. SEE CHART | | | | | | | | | | | | | | | | | | | |
| DRAFT WHERE APPLICABLE MUST REMAIN WITHIN DIMENSIONS | | DOCUMENT NO. SD-74546-160 | | SHEET NO. 3 OF 3 | | | | | | | | | | | | | | | | | |
| THIS DRAWING CONTAINS INFORMATION THAT IS PROPRIETARY TO MOLEX INCORPORATED AND SHOULD NOT BE USED WITHOUT WRITTEN PERMISSION | | | | | | | | | | | | | | | | | | | | | |