

## Excellent Integrated System Limited

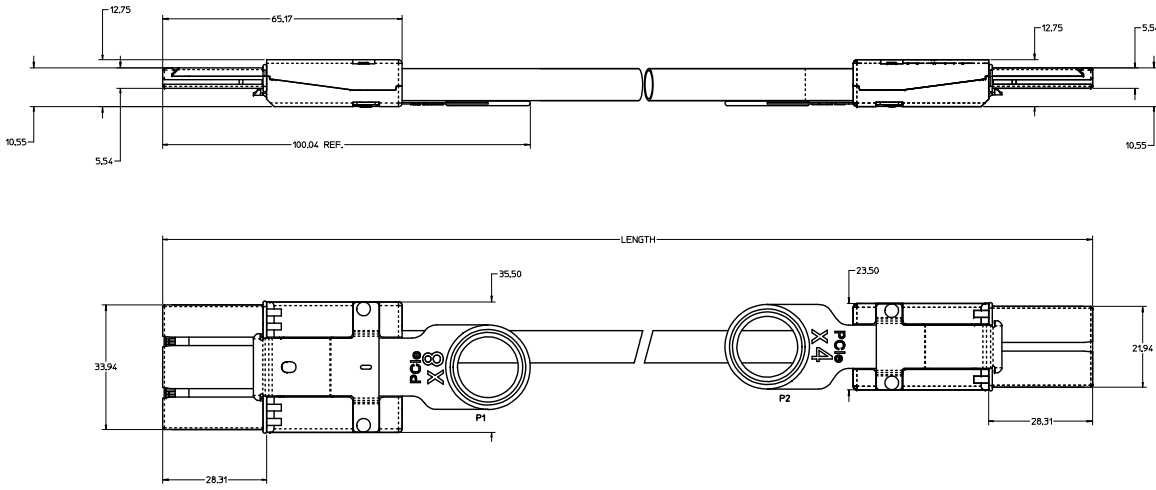
Stocking Distributor

Click to view price, real time Inventory, Delivery & Lifecycle Information:

[Molex Connector Corporation](#)  
[0745464081](#)

For any questions, you can email us directly:

[sales@integrated-circuit.com](mailto:sales@integrated-circuit.com)



P/N	LENGTH	AWG
74546-4080	0.5M	28
74546-4081	1M	28
74546-4082	2M	28
74546-4083	3M	28
74546-4084	4M	28
74546-4085	5M	26
74546-4086	6M	26
74546-4087	7M	24

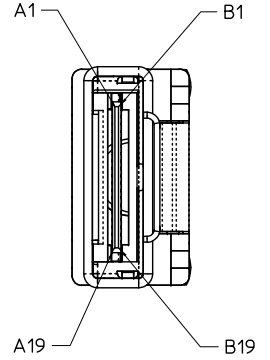
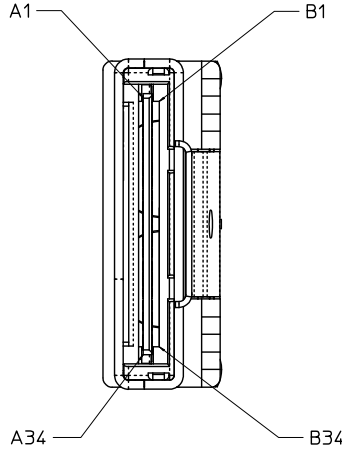
NOTES:

- MATERIAL -  
BACKSHELL - ZINC DIECAST  
PULL - NYLON
- LENGTH - SEE TABLE
- ELECTRICAL PERFORMANCE PER PCI EXPRESS  
EXTERNAL CABLING SPEC, REV 1.0
- X8 PLUG MATES TO RECEPTACLE 75586-0002.  
AND EMI GUIDE HOUSING ASSY. 74540-0101
- X4 PLUG MATES TO RECEPTACLE 75586-0010  
AND EMI GUIDE HOUSING ASSY. 74540-0401.
- THIS PRODUCT MEETS THE RESTRICTIONS OF HAZARDOUS SUBSTANCES  
IN ELECTRICAL AND ELECTRONIC EQUIPMENT (RoHS) DIRECTIVE  
(2002/95/EC).

IPASS™ IS A TRADEMARK OF MOLEX

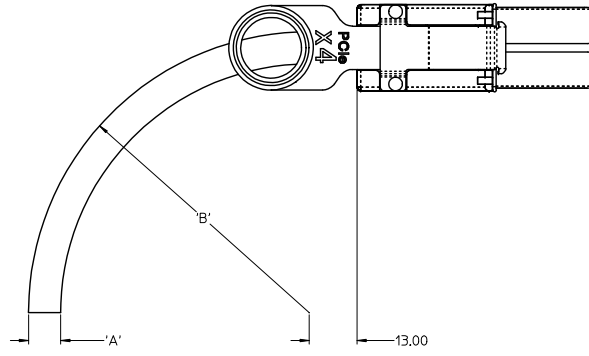
ADD AWG COLUMN EC NO. PRE2006-3710 DRAWN/ISSUED: 28/06/07/10 CHECKED/REV: 28/06/07/10 APPROVED/REV: 28/06/07/10 DATE: 28/06/07/10	QUALITY SYMBOLS	GENERAL TOLERANCES (UNLESS SPECIFIED)	DIMENSION STYLE MM ONLY	SCALE 1:1	DESIGN UNITS METRIC	THIRD ANGLE PROJECTION
	▽=0	4 PLACES ±0.05	mm	DRAWN BY	DATE	TITLE
	▽=0	3 PLACES ±0.10	INCH	CHECKED BY	DATE	
	▽=0	2 PLACES ±0.13		DDOYE	2006/03/22	IPASS PCIe TRANSITION CABLE X4 - X8
	1 PLACE ±0.25		APPROVED BY	DATE		
	0 PLACE ±		DDOYE	2006/03/22		
	ANGULAR ±1/2°		MATERIAL NO.	74546408	DOCUMENT NO.	SD-74546-408
	DRAFT WHERE APPLICABLE MUST REMAIN WITHIN DIMENSIONS		SIZE	D	THIS DRAWING CONTAINS INFORMATION THAT IS PROPRIETARY TO MOLEX INCORPORATED AND SHOULD NOT BE USED WITHOUT WRITTEN PERMISSION	

	GND	A1		B1	GND	
	PETp0	A2	→	B2	PERp0	
	PETn0	A3	→	B3	PERn0	
	GND	A4	→	B4	GND	
	PETp1	A5	→	B5	PERp1	
	PETn1	A6	→	B6	PERn1	
	GND	A7	→	B7	GND	
	PETp2	A8	→	B8	PERp2	
	PETn2	A9	→	B9	PERn2	
	GND	A10	→	B10	GND	
	PETp3	A11	→	B11	PERp3	
	PETn3	A12	→	B12	PERn3	
	GND	A13	→	B13	GND	
	CREFCLK+	A14	→	A14	CREFCLK+	
	CREFCLK-	A15	→	A15	CREFCLK-	
	GND	A16	→	A16	GND	
	NC	A17				
	NC	A18				
	SB_RTN	A19	→	A17	SB_RTN	
	CPRSNT#	A20	→	A18	CPRSNT#	
	CPWRON	A21	→	A19	CPWRON	
P1	GND	B1	←	A1	GND	P2
	PERp0	B2	←	A2	PETp0	
	PERn0	B3	←	A3	PETn0	
	GND	B4	←	A4	GND	
	PERp1	B5	←	A5	PETp1	
	PERn1	B6	←	A6	PETn1	
	GND	B7	←	A7	GND	
	PERp2	B8	←	A8	PETp2	
	PERn2	B9	←	A9	PETn2	
	GND	B10	←	A10	GND	
	PERp3	B11	←	A11	PETp3	
	PERn3	B12	←	A12	PETn3	
	GND	B13	←	A13	GND	
	NC	B14		B14	NC	
	NC	B15		B15	NC	
	NC	B16		B16	NC	
	NC	B17		B17	NC	
	NC	B18				
	NC	B19				
	CWAKE#	B20	←	B18	CWAKE#	
	CPERST#	B21	←	B19	CPERST#	



IPASS IS A TRADEMARK OF MOLEX

ADD AVG COLUMN EC NO. 0745464081 DRAWN: MALACED 2006/03/22 CHECKED: TIRE 2006/03/22 APPROVED: 2006/03/22 APPR: 2006/03/22	QUALITY SYMBOLS	GENERAL TOLERANCES (UNLESS SPECIFIED)	DIMENSION STYLE	SCALE	DESIGN UNITS	THIRD ANGLE PROJECTION
	▽=0	mm INCH	MM ONLY	1:1	METRIC	☐
	▽=0	4 PLACES ± --- ± ---	DRAWN BY	DATE	TITLE	
	▽=0	3 PLACES ± --- ± ---	CHECKED BY	DATE		
	2 PLACES ± 0.13 ± ---	DDOYE	2006/03/22			
	1 PLACE ± 0.25 ± ---	APPROVED BY	DATE			
	0 PLACE ± ±	DDOYE	2006/03/22			
	ANGULAR ±1/2°	MATERIAL NO.	74546408	DOCUMENT NO.	SD-74546-408	SHEET NO.
	DRAFT WHERE APPLICABLE MUST REMAIN WITHIN DIMENSIONS	SIZE	D	THIS DRAWING CONTAINS INFORMATION THAT IS PROPRIETARY TO MOLEX INCORPORATED AND SHOULD NOT BE USED WITHOUT WRITTEN PERMISSION		2 OF 3



CABLE GAUGE	24	26	28
A. CABLE DIAMETER	10.4	9.3	8.4
B. MINIMUM OUTER RADIUS	46.9	41.7	37.7
C. FACEPLATE TO OUTER RADIUS	102.2	97.0	93.0

IPASS™ IS A TRADEMARK OF MOLEX

QUALITY SYMBOLS	GENERAL TOLERANCES (UNLESS SPECIFIED)		DIMENSION STYLE		SCALE	DESIGN UNITS	THIRD ANGLE
	mm	INCH	MM ONLY	DATE	1:1	METRIC	PROJECTION
∇=0	4 PLACES ±----	±----	DRAWN BY	2006/03/22	<b>IPASS PCIe TRANSITION CABLE X4 - X8</b>  <b>molex</b>		
∇=0	3 PLACES ±----	±----	CHECKED BY	DATE			
∇=0	2 PLACES ±0.13	±----	DDOYE	2006/03/22			
∇=0	1 PLACE ±0.25	±----	APPROVED BY	DATE			
∇=0	0 PLACE ±	±	DDOYE	2006/03/22	MATERIAL NO. <b>74546408</b> DOCUMENT NO. <b>SD-74546-408</b> SHEET NO. <b>3 OF 3</b>		
DRAFT WHERE APPLICABLE MUST REMAIN WITHIN DIMENSIONS		ANGULAR ±1/2°		SIZE <b>D</b> THIS DRAWING CONTAINS INFORMATION THAT IS PROPRIETARY TO MOLEX INCORPORATED AND SHOULD NOT BE USED WITHOUT WRITTEN PERMISSION			