

Excellent Integrated System Limited

Stocking Distributor

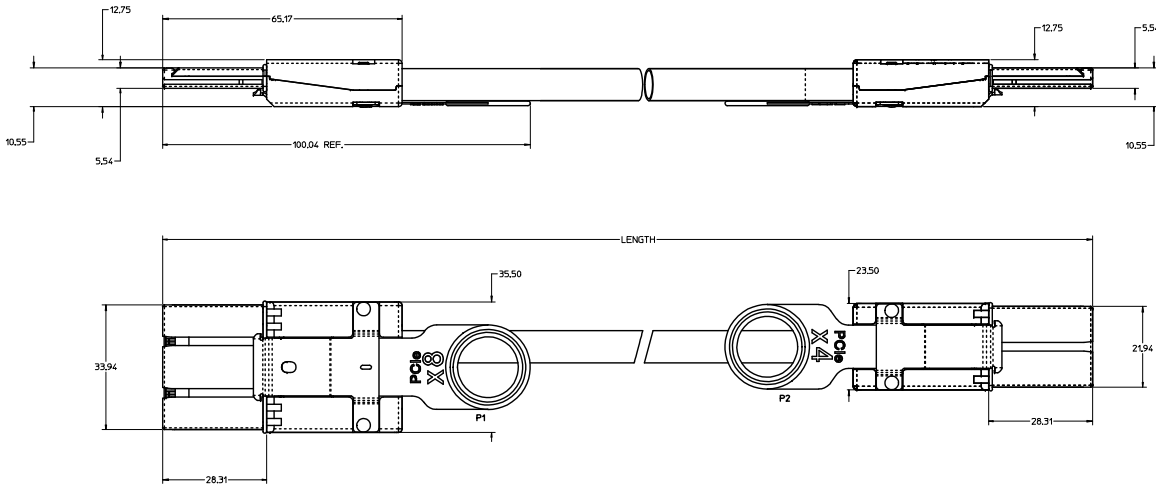
Click to view price, real time Inventory, Delivery & Lifecycle Information:

[Molex Connector Corporation](#)

[0745464083](#)

For any questions, you can email us directly:

sales@integrated-circuit.com



P/N	LENGTH	AWG
74546-4080	0.5M	28
74546-4081	1M	28
74546-4082	2M	28
74546-4083	3M	28
74546-4084	4M	28
74546-4085	5M	26
74546-4086	6M	26
74546-4087	7M	24

NOTES:

- MATERIAL -
BACKSHELL - ZINC DIECAST
PULL - NYLON
- LENGTH - SEE TABLE
- ELECTRICAL PERFORMANCE PER PCI EXPRESS
EXTERNAL CABLING SPEC, REV 1.0
- X8 PLUG MATES TO RECEPTACLE 75586-0002.
AND EMI GUIDE HOUSING ASSY. 74540-0101
- X4 PLUG MATES TO RECEPTACLE 75586-0010
AND EMI GUIDE HOUSING ASSY. 74540-0401.
- THIS PRODUCT MEETS THE RESTRICTIONS OF HAZARDOUS SUBSTANCES
IN ELECTRICAL AND ELECTRONIC EQUIPMENT (RoHS) DIRECTIVE
(2002/95/EC).

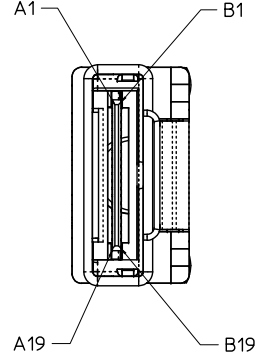
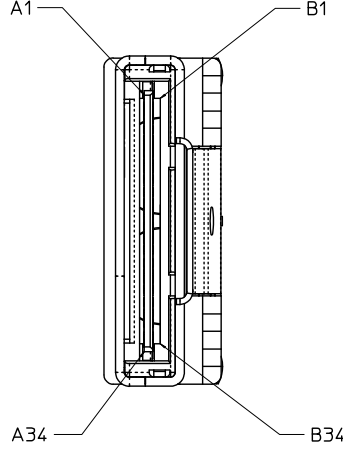
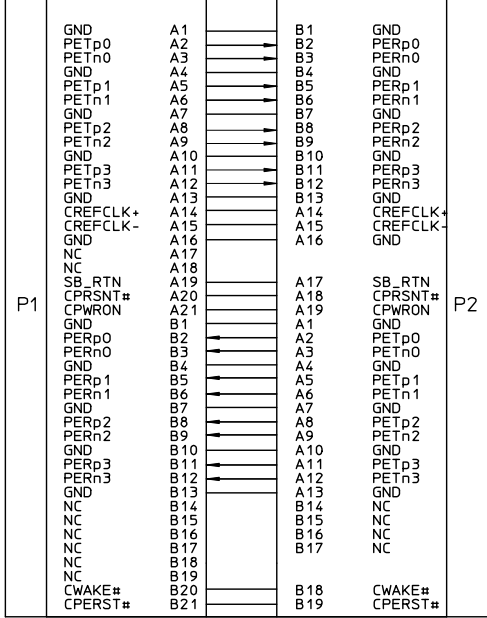
IPASS™ IS A TRADEMARK OF MOLEX

ADD AWG COLUMN EC NO. PRE2006-3710 DRAWN/ISSUED: 28/06/07/10 CHECKED/REV: 28/06/07/10 APPROVED/REV: 28/06/07/10	QUALITY SYMBOLS	GENERAL TOLERANCES (UNLESS SPECIFIED)	DIMENSION STYLE	SCALE	DESIGN UNITS	THIRD ANGLE PROJECTION	
	$\nabla=0$ $\nabla=0$ $\nabla=0$	4 PLACES ± --- + --- 3 PLACES ± --- + --- 2 PLACES ± 0.13 + --- 1 PLACE ± 0.25 + --- 0 PLACE ± --- + ---	MM ONLY	1:1	METRIC		
	DRAWN BY: [blank] CHECKED BY: [blank] APPROVED BY: [blank]	DRAWN BY: [blank] CHECKED BY: [blank] APPROVED BY: [blank]	DRAWN BY: [blank] CHECKED BY: [blank] APPROVED BY: [blank]	DRAWN BY: [blank] CHECKED BY: [blank] APPROVED BY: [blank]	DRAWN BY: [blank] CHECKED BY: [blank] APPROVED BY: [blank]	DRAWN BY: [blank] CHECKED BY: [blank] APPROVED BY: [blank]	DRAWN BY: [blank] CHECKED BY: [blank] APPROVED BY: [blank]
	MATERIAL NO. 74546408 DRAFT WHERE APPLICABLE MUST REMAIN WITHIN DIMENSIONS	MATERIAL NO. 74546408 SIZE D	MATERIAL NO. 74546408 SIZE D	MATERIAL NO. 74546408 SIZE D	MATERIAL NO. 74546408 SIZE D	MATERIAL NO. 74546408 SIZE D	MATERIAL NO. 74546408 SIZE D

IPASS PCIe TRANSITION CABLE X4 - X8

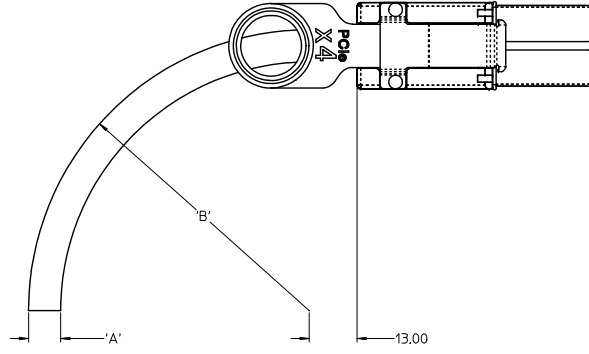
molex

DOCUMENT NO. SD-74546-408 SHEET NO. 1 OF 3



IPASS IS A TRADEMARK OF MOLEX

ADD AVG COLUMN EC NO. 0745464083 DRAWN: MALACED 2006/03/22 CHECKED: TIE 2006/03/22 APPROVED: 2006/03/22 DATE: 2006/03/22	QUALITY SYMBOLS	GENERAL TOLERANCES (UNLESS SPECIFIED)	DIMENSION STYLE	SCALE	DESIGN UNITS	THIRD ANGLE PROJECTION	
	▽=0	mm INCH	MM ONLY	1:1	METRIC	☉	
	▽=0	4 PLACES ± --- ± ---	BARCODED	2006/03/22	TITLE	IPASS PCIE TRANSITION CABLE X4 - X8	
	▽=0	3 PLACES ± --- ± ---	CHECKED BY	DATE			
▽=0	2 PLACES ± 0.13 ± ---	DDOYE	2006/03/22				
	1 PLACE ± 0.25 ± ---	APPROVED BY	DATE	MATERIAL NO. 74546408 DOCUMENT NO. SD-74546-408			
	0 PLACE ± ±	DDOYE	2006/03/22	SHEET NO. 2 OF 3			
	ANGULAR ±1/2°	DRAFT WHERE APPLICABLE MUST REMAIN WITHIN DIMENSIONS					
	SIZE D	THIS DRAWING CONTAINS INFORMATION THAT IS PROPRIETARY TO MOLEX INCORPORATED AND SHOULD NOT BE USED WITHOUT WRITTEN PERMISSION					



CABLE GAUGE	24	26	28
A. CABLE DIAMETER	10.4	9.3	8.4
B. MINIMUM OUTER RADIUS	46.9	41.7	37.7
C. FACEPLATE TO OUTER RADIUS	102.2	97.0	93.0

IPASS™ IS A TRADEMARK OF MOLEX

ADD AVG COLUMN ECN NO. 074546-3710 DRAWN/MAILED 20/07/08 CHECKED/REV 20/03/08 APPROVED/ISSUED 20/07/08 ENG	QUALITY SYMBOLS	GENERAL TOLERANCES (UNLESS SPECIFIED)	DIMENSION STYLE	SCALE	DESIGN UNITS	THIRD ANGLE PROJECTION
		mm INCH	MM ONLY	1:1	METRIC	
	∇=0	4 PLACES ±--- ±---	DRAWN BY	DATE	TITLE	
	∇=0	3 PLACES ±--- ±---	CHECKED BY	DATE		
	2 PLACES ±--- ±---	DDOYE	2006/03/22	IPASS PCIE TRANSITION CABLE X4 - X8		
	1 PLACE ±0.25 ±---	APPROVED BY	DATE			
	0 PLACE ± ±---	DDOYE	2006/03/22	molex		
	ANGULAR ±1/2°	MATERIAL NO.	74546408	DOCUMENT NO.	SD-74546-408	SHEET NO. 3 OF 3
	DRAFT WHERE APPLICABLE MUST REMAIN WITHIN DIMENSIONS	SIZE	D	THIS DRAWING CONTAINS INFORMATION THAT IS PROPRIETARY TO MOLEX INCORPORATED AND SHOULD NOT BE USED WITHOUT WRITTEN PERMISSION		