

Excellent Integrated System Limited

Stocking Distributor

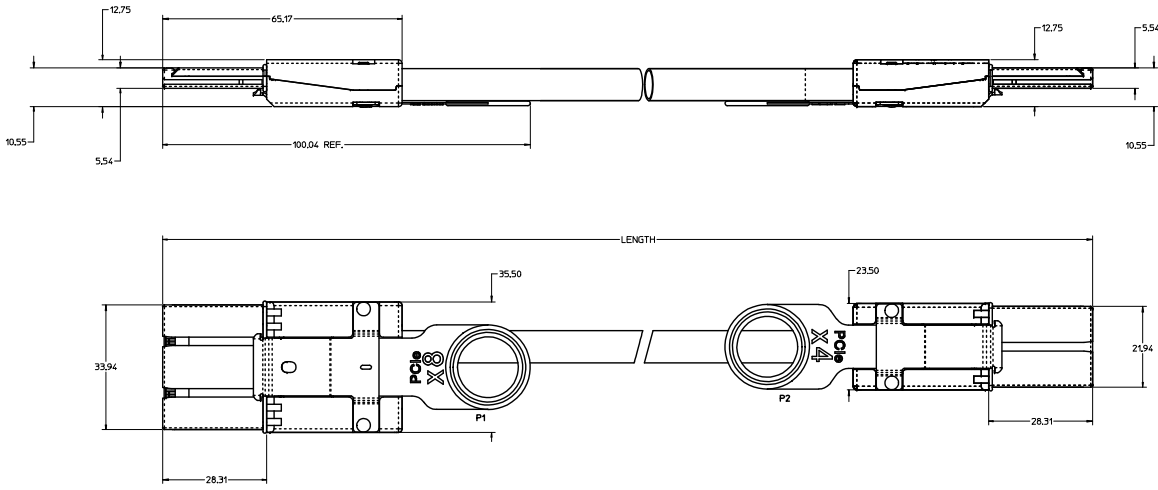
Click to view price, real time Inventory, Delivery & Lifecycle Information:

[Molex Connector Corporation](#)

[0745464084](#)

For any questions, you can email us directly:

sales@integrated-circuit.com



P/N	LENGTH	AWG
74546-4080	0.5M	28
74546-4081	1M	28
74546-4082	2M	28
74546-4083	3M	28
74546-4084	4M	28
74546-4085	5M	26
74546-4086	6M	26
74546-4087	7M	24

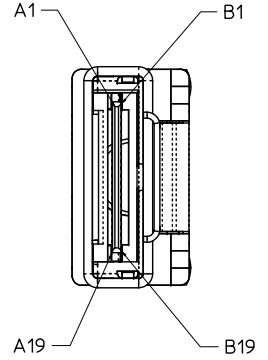
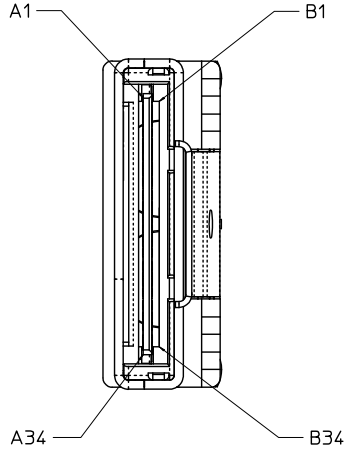
NOTES:

1. MATERIAL -
BACKSHELL - ZINC DIECAST
PULL - NYLON
2. LENGTH - SEE TABLE
3. ELECTRICAL PERFORMANCE PER PCI EXPRESS
EXTERNAL CABLING SPEC, REV 1.0
4. X8 PLUG MATES TO RECEPTACLE 75586-0002,
AND EMI GUIDE HOUSING ASSY. 74540-0101
5. X4 PLUG MATES TO RECEPTACLE 75586-0010
AND EMI GUIDE HOUSING ASSY. 74540-0401.
6. THIS PRODUCT MEETS THE RESTRICTIONS OF HAZARDOUS SUBSTANCES
IN ELECTRICAL AND ELECTRONIC EQUIPMENT (RoHS) DIRECTIVE
(2002/95/EC).

IPASS™ IS A TRADEMARK OF MOLEX

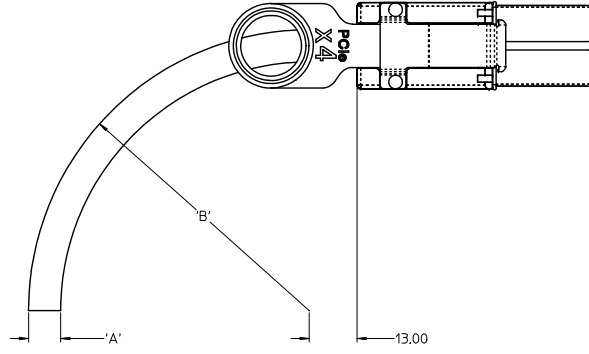
ADD AWG COLUMN EC NO. PRE2006-3710 DRAWN/ISSUED: 28/06/07/10 CHECKED/REV: 28/06/07/10 APPROVED/REV: 28/06/07/10 DATE:	QUALITY SYMBOLS	GENERAL TOLERANCES (UNLESS SPECIFIED)	DIMENSION STYLE	SCALE	DESIGN UNITS	THIRD ANGLE PROJECTION	
	∇=0 ∇=0 ∇=0	mm INCH 4 PLACES ± --- + --- 3 PLACES ± --- + --- 2 PLACES ± 0.13 + --- 1 PLACE ± 0.25 + --- 0 PLACE ± --- + ---	MM ONLY	1:1	METRIC	DRAWN BY DATE BARBED 2006/03/22 CHECKED BY DATE DDVOYE 2006/03/22 APPROVED BY DATE DDVOYE 2006/03/22	TITLE IPASS PCIe TRANSITION CABLE X4 - X8
	ANGULAR ±1/2° DRAFT WHERE APPLICABLE MUST REMAIN WITHIN DIMENSIONS	MATERIAL NO. 74546408	DOCUMENT NO. SD-74546-408	SHEET NO. 1 OF 3			
	THIS DRAWING CONTAINS INFORMATION THAT IS PROPRIETARY TO MOLEX INCORPORATED AND SHOULD NOT BE USED WITHOUT WRITTEN PERMISSION						

GND	A1	B1	GND
PETp0	A2	B2	PERp0
PETn0	A3	B3	PERn0
GND	A4	B4	GND
PETp1	A5	B5	PERp1
PETn1	A6	B6	PERn1
GND	A7	B7	GND
PETp2	A8	B8	PERp2
PETn2	A9	B9	PERn2
GND	A10	B10	GND
PETp3	A11	B11	PERp3
PETn3	A12	B12	PERn3
GND	A13	B13	GND
CREFLCK+	A14	A14	CREFLCK+
CREFLCK-	A15	A15	CREFLCK-
GND	A16	A16	GND
NC	A17		
NC	A18		
SB_RTN	A19	A17	SB_RTN
CPRSNT#	A20	A18	CPRSNT#
CPWRON	A21	A19	CPWRON
GND	B1	A1	GND
PERp0	B2	A2	PETp0
PERn0	B3	A3	PETn0
GND	B4	A4	GND
PERp1	B5	A5	PETp1
PERn1	B6	A6	PETn1
GND	B7	A7	GND
PERp2	B8	A8	PETp2
PERn2	B9	A9	PETn2
GND	B10	A10	GND
PERp3	B11	A11	PETp3
PERn3	B12	A12	PETn3
GND	B13	A13	GND
NC	B14	B14	NC
NC	B15	B15	NC
NC	B16	B16	NC
NC	B17	B17	NC
NC	B18		
NC	B19		
CWAKE#	B20	B18	CWAKE#
CPERST#	B21	B19	CPERST#



IPASS IS A TRADEMARK OF MOLEX

ADD ANGLE COLUMN EC NO. 0745464084 DRAWN: MALACED 2006/03/22 CHECKED: RE 2006/03/22 APPROVED: 2006/03/22	QUALITY SYMBOLS	GENERAL TOLERANCES (UNLESS SPECIFIED)	DIMENSION STYLE MM ONLY	SCALE 1:1	DESIGN UNITS METRIC	THIRD ANGLE PROJECTION
	$\nabla=0$	4 PLACES ± 0.15	mm	DRAWN BY BARCED	DATE 2006/03/22	TITLE IPASS PCIE TRANSITION CABLE X4 - X8
	$\nabla=0$	3 PLACES ± 0.25	INCH	CHECKED BY DDOYE	DATE 2006/03/22	molex
	$\nabla=0$	2 PLACES ± 0.25		APPROVED BY DDOYE	DATE 2006/03/22	MATERIAL NO. 74546408
		ANGULAR ± 1/2°				DOCUMENT NO. SD-74546-408
		DRAFT WHERE APPLICABLE MUST REMAIN WITHIN DIMENSIONS				SHEET NO. 2 OF 3
			SIZE D	THIS DRAWING CONTAINS INFORMATION THAT IS PROPRIETARY TO MOLEX INCORPORATED AND SHOULD NOT BE USED WITHOUT WRITTEN PERMISSION		



CABLE GAUGE	24	26	28
A. CABLE DIAMETER	10.4	9.3	8.4
B. MINIMUM OUTER RADIUS	46.9	41.7	37.7
C. FACEPLATE TO OUTER RADIUS	102.2	97.0	93.0

IPASS™ IS A TRADEMARK OF MOLEX

ADD AVG COLUMN ECN NO. 074546-3710 DRAWN/ISSUED 20/07/08 CHECKED/REV 20/03/08 APPROVED/REV 20/03/08 DATE	QUALITY SYMBOLS	GENERAL TOLERANCES (UNLESS SPECIFIED)	DIMENSION STYLE	SCALE	DESIGN UNITS	THIRD ANGLE PROJECTION																		
	$\nabla=0$ $\nabla=0$ $\nabla=0$	<table border="1"> <thead> <tr> <th></th> <th>mm</th> <th>INCH</th> </tr> </thead> <tbody> <tr> <td>4 PLACES</td> <td>±.005</td> <td>±.0002</td> </tr> <tr> <td>3 PLACES</td> <td>±.010</td> <td>±.0004</td> </tr> <tr> <td>2 PLACES</td> <td>±.020</td> <td>±.0008</td> </tr> <tr> <td>1 PLACE</td> <td>±.050</td> <td>±.0020</td> </tr> <tr> <td>0 PLACE</td> <td>±.100</td> <td>±.0040</td> </tr> </tbody> </table>		mm	INCH	4 PLACES	±.005	±.0002	3 PLACES	±.010	±.0004	2 PLACES	±.020	±.0008	1 PLACE	±.050	±.0020	0 PLACE	±.100	±.0040	MM ONLY	1:1	METRIC	
		mm	INCH																					
	4 PLACES	±.005	±.0002																					
3 PLACES	±.010	±.0004																						
2 PLACES	±.020	±.0008																						
1 PLACE	±.050	±.0020																						
0 PLACE	±.100	±.0040																						
DRAWN BY: BARBED CHECKED BY: DDOYE APPROVED BY: DDOYE DATE: 2006/03/22 DATE: 2006/03/22 DATE: 2006/03/22	ANGLULAR ±1/2° DRAFT WHERE APPLICABLE MUST REMAIN WITHIN DIMENSIONS	MATERIAL NO. 74546408 SIZE D THIS DRAWING CONTAINS INFORMATION THAT IS PROPRIETARY TO MOLEX INCORPORATED AND SHOULD NOT BE USED WITHOUT WRITTEN PERMISSION	TITLE: IPASS PCIE TRANSITION CABLE X4 - X8 	DOCUMENT NO. SD-74546-408 SHEET NO. 3 OF 3																				