

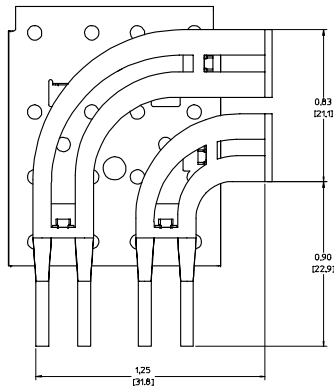
Excellent Integrated System Limited

Stocking Distributor

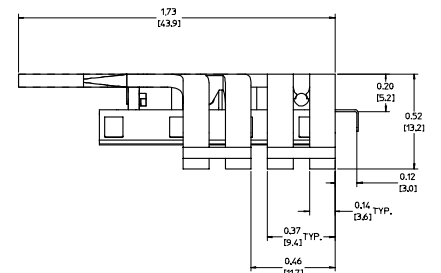
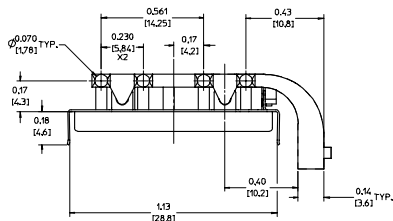
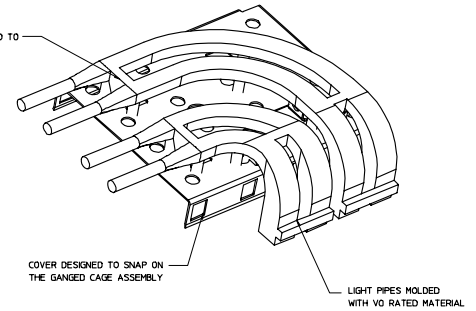
Click to view price, real time Inventory, Delivery & Lifecycle Information:

[Molex Connector Corporation](#)
[0747270002](#)

For any questions, you can email us directly:
sales@integrated-circuit.com



LIGHT PIPES SECURED TO METAL COVER



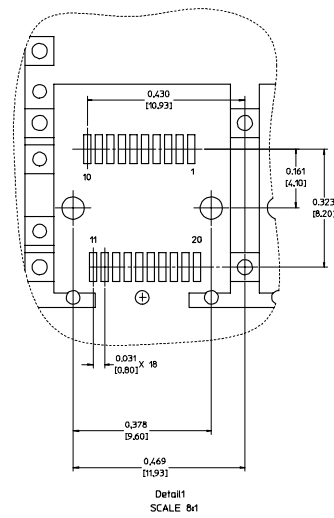
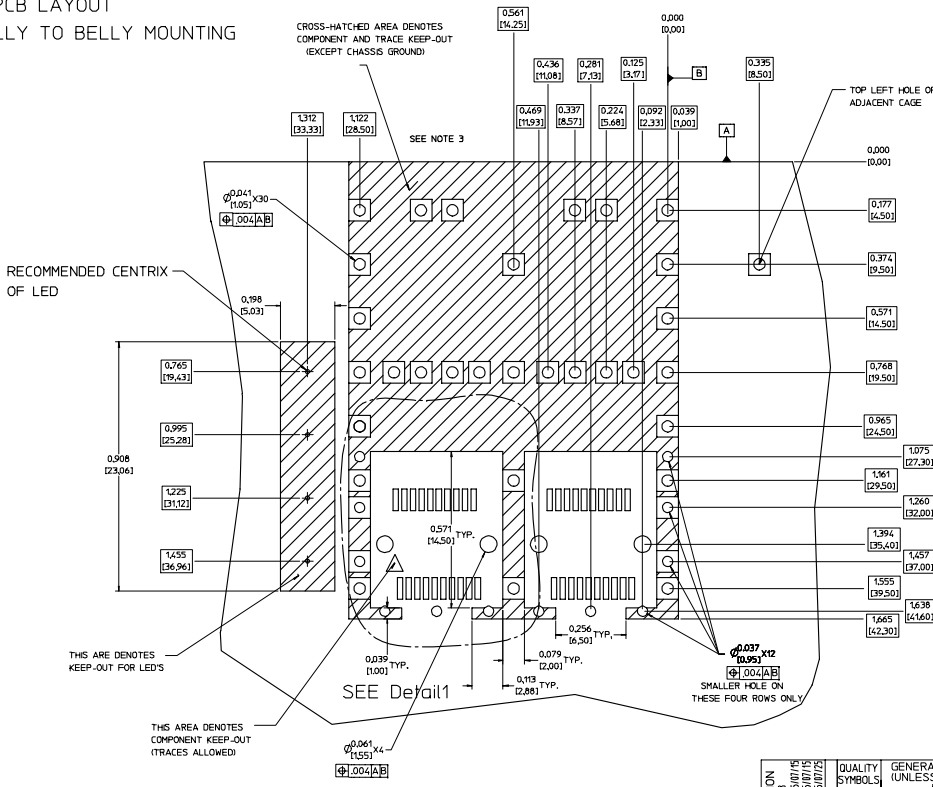
NOTES:

1. THIS LIGHT PIPE ASSEMBLY TO BE USED WITH THE FOLLOWING 1X2 GANGED CAGE ASSEMBLIES:
747220001 - 1X2 GANGED CAGE ASSEMBLY W/ PRESS FIT LEGS (REFER TO DOCUMENT SD-74722-001 FOR CAGE DETAILS)
2. IT IS RECOMMENDED THAT THE CAGE ASSEMBLY BE PRESSED INTO THE PCB PRIOR TO ASSEMBLING THE LIGHT PIPE ASSEMBLY.
3. LED'S TO HAVE A MAXIMUM HEIGHT OF 1.4mm AND A MINIMUM HEIGHT OF 0.7mm.
4. RECOMMENDED LED'S INCLUDE THE FOLLOWING MANUFACTURES:
DIALIGHT: 597-77x1-5xx SERIES
CHICAGO MINIATURE: 7016 SERIES
KINGBRIGHT: APBL3025 SERIES (BICOLOR)
APL3015 SERIES (SINGLE COLOR)
5. THIS PART MEETS THE RESTRICTION OF HAZARDOUS SUBSTANCES IN ELECTRICAL AND ELECTRONIC EQUIPMENT (ROHS) DIRECTIVE (2002/95/EC).

ENTER DESCRIPTION EIC NO. USY2006-0008 DRAWN BY: MIMON 2006/07/08 CHECKED BY: BRUSSELL 2006/07/08 APPROVED BY: BRUSSELL 2006/07/08	QUALITY SYMBOLS ▽=0 ▽=0	GENERAL TOLERANCES (UNLESS SPECIFIED)		DIMENSION STYLE IN/MM		SCALE 4:1	DESIGN UNITS METRIC	THIRD ANGLE PROJECTION
		4 PLACES ± .010 3 PLACES ± .005 2 PLACES ± 0.13 1 PLACE ± 0.25 ANGULAR ± 1°	4 PLACES ± .0004 3 PLACES ± .0005 2 PLACES ± .0013 1 PLACE ± 0.025 ANGULAR ± 1°	DRAWN BY: KS IMONSO 2004/07/08 CHECKED BY: DAVID 2004/07/08 APPROVED BY: BRUSSELL 2004/07/08	DATE DATE DATE	TITLE 1X2 SFP LIGHT PIPE ASSEMBLY, SIDE-TOP		MATERIAL NO. 747270002
DRAFT WHERE APPLICABLE MUST REMAIN WITHIN DIMENSIONS		MOLEX INCORPORATED						
SET THIS DRAWING CONTAINS INFORMATION THAT IS PROPRIETARY TO MOLEX INCORPORATED AND SHOULD NOT BE USED WITHOUT WRITTEN PERMISSION								

PCB LAYOUT
FOR BELLY TO BELLY MOUNTING

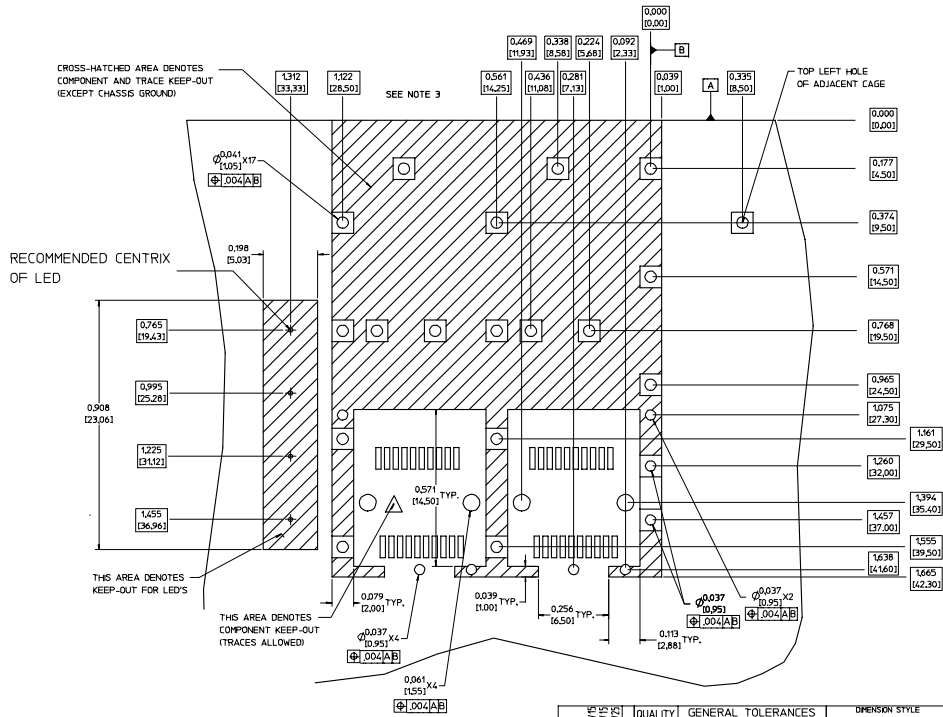
HOST CONNECTOR DETAIL



- NOTES:
1. PADS AND WAS GO TO CHASSIS GROUND.
 2. CAGE MOUNTING THRU HOLES (34 PLACES) TO BE PLATED.
 3. HOLE PATTERN REPEATS FOR EACH PORT, SPACING BETWEEN PORTS IS 561 [14.25].

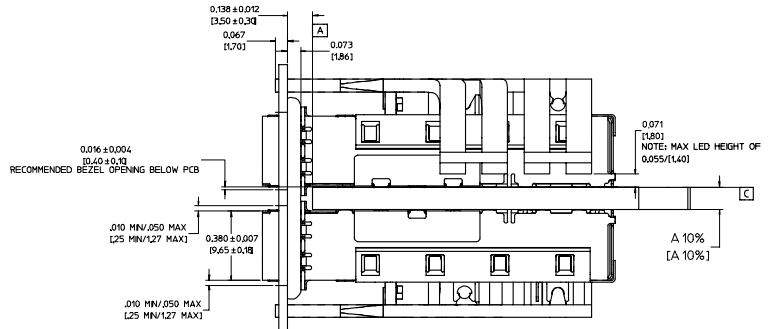
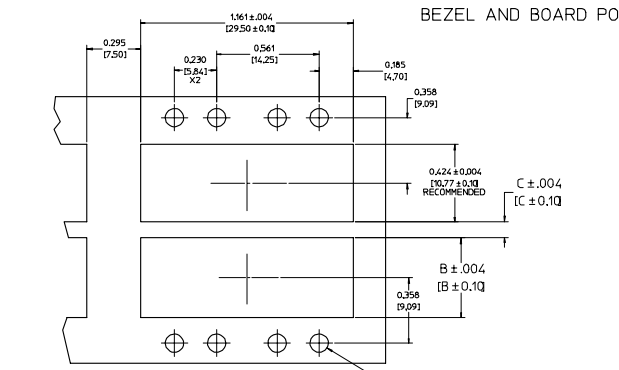
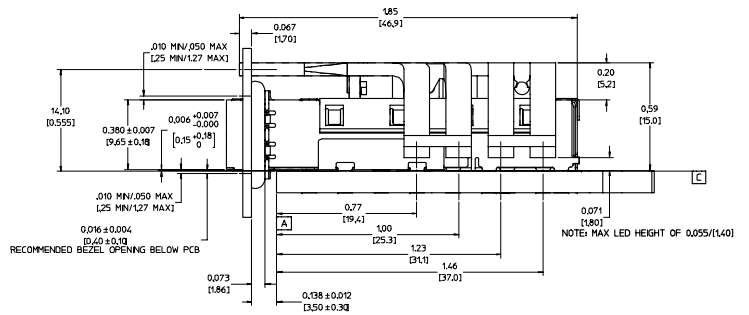
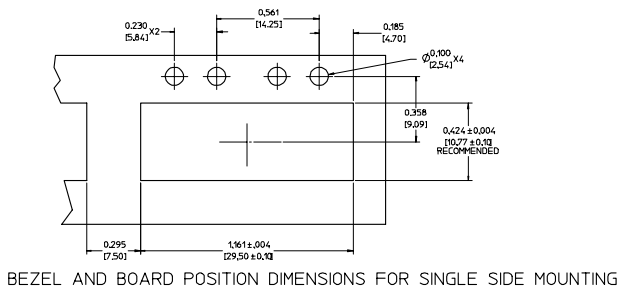
ENTER DESCRIPTION E.C. NO. UST2006-0008 DRAWN BY APPROVED BY DATE 2006/07/08 2006/07/08 BRUSSELL	QUALITY SYMBOLS ▽=0 ▽=0	GENERAL TOLERANCES (UNLESS SPECIFIED)		DIMENSION STYLE IN/MM	SCALE 6:1	DESIGN UNITS METRIC	THIRD ANGLE PROJECTION
		4 PLACES ± 0.13 3 PLACES ± 0.13 2 PLACES ± 0.13 1 PLACE ± 0.25 ANGULAR ± 1°	± 0.13 ± 0.05 ± 0.01 ± 0.25 ± 1°	± 0.13 ± 0.05 ± 0.01 ± 0.25 ± 1°	± 0.13 ± 0.05 ± 0.01 ± 0.25 ± 1°	DRAWN BY XS MONSO DATE 2004/07/08	CHECKED BY BRUSSELL DATE 2004/07/08
DRAFT WHERE APPLICABLE (L.S.) REMAIN WITHIN DIMENSIONS		MOLEX INCORPORATED		SHEET NO. 2 OF 5		SET THIS DRAWING CONTAINS INFORMATION THAT IS PROPRIETARY TO MOLEX INCORPORATED AND SHOULD NOT BE USED WITHOUT WRITTEN PERMISSION	

PCB LAYOUT
FOR SINGLE SIDE MOUNTING



- NOTES:
1. PADS AND VIAS GO TO CHASSIS GROUND.
 2. CAGE MOUNTING THRU HOLES (19 PLACES) TO BE PLATED.
 3. HOLE PATTERN REPEATS FOR EACH PORT.
SPACING BETWEEN PORTS IS .561(14.25).

ENTER DESCRIPTION E.C. NO. U572006-0008 DRAWN BY MONSON 2004/07/08 CHECKED BY BRUSSELL 2004/07/08 APPROVED BY BRUSSELL 2004/07/08 DATE	QUALITY SYMBOLS ▽=0 ▽=0	GENERAL TOLERANCES (UNLESS SPECIFIED)		DRAWN BY IN/MM XS MONSON	SCALE 6:1	DESIGN UNITS METRIC	THIRD ANGLE PROJECTION
		4 PLACES ± .010 3 PLACES ± .005 2 PLACES ± 0.13 1 PLACE ± 0.25 ANGULAR ± 1°	± .010 ± .005 ± .01 ± .01 ± 1°	CHECKED BY DATE BRUSSELL 2004/07/08	DATE 2004/07/08	TITLE 1X2 SFP LIGHT PIPE ASSEMBLY, SIDE-TOP	MOLEX INCORPORATED
DRAFT WHERE APPLICABLE MUST REMAIN WITHIN DIMENSIONS		MATERIAL NO. 747270002	DOCUMENT NO. SD-74727-002	SET THIS DRAWING CONTAINS INFORMATION THAT IS PROPRIETARY TO MOLEX INCORPORATED AND SHOULD NOT BE USED WITHOUT WRITTEN PERMISSION			



NOTE: FOR A GIVEN BOARD THICKNESS (A), DIMENSIONS (B) AND (C) ARE DIRECTLY AFFECTED.

USE RECOMMENDED DIMENSIONS AND TOLERANCES TO AID IN DEVELOPING BEZEL OPENING.

FOR EXAMPLE USING A BOARD THICKNESS OF .125" THE RECOMMENDED VALUES WOULD BE:

A = .125/3.16 ± 10%
B = .434/11.03 ± .004
C = .088/2.23 ± .004

ENTER DESCRIPTION E.C. NO. UST2006-0008 DRAWN BY MONSON 2006/07/08 CHECKED BY BRUSSELL 2006/07/08 APPROVED BY BRUSSELL 2006/07/08 DESCRIPTION	QUALITY SYMBOLS	GENERAL TOLERANCES (UNLESS SPECIFIED)	DIMENSION STYLE	SCALE	DESIGN UNITS	THIRD ANGLE PROJECTION																		
	$\nabla=0$ $\nabla=0$	<table border="1"> <thead> <tr> <th></th> <th>MIL</th> <th>INCH</th> </tr> </thead> <tbody> <tr> <td>4 PLACES ±</td> <td>---</td> <td>---</td> </tr> <tr> <td>3 PLACES ±</td> <td>---</td> <td>±.005</td> </tr> <tr> <td>2 PLACES ±</td> <td>0.13</td> <td>±.01</td> </tr> <tr> <td>1 PLACE ±</td> <td>0.25</td> <td>---</td> </tr> <tr> <td></td> <td>ANGULAR ±</td> <td>1°</td> </tr> </tbody> </table>		MIL	INCH	4 PLACES ±	---	---	3 PLACES ±	---	±.005	2 PLACES ±	0.13	±.01	1 PLACE ±	0.25	---		ANGULAR ±	1°	IN/MM	4:1	METRIC	
		MIL	INCH																					
	4 PLACES ±	---	---																					
3 PLACES ±	---	±.005																						
2 PLACES ±	0.13	±.01																						
1 PLACE ±	0.25	---																						
	ANGULAR ±	1°																						
DRAWN BY MONSON 2006/07/08 CHECKED BY BRUSSELL 2006/07/08 APPROVED BY BRUSSELL 2006/07/08	MATERIAL NO. 747270002 DOCUMENT NO. SD-74727-002	DATE 2004/07/08 DATE 2004/07/08 DATE 2004/07/08	FILE 1X2 SFP LIGHT PIPE ASSEMBLY, SIDE-TOP	MOLEX INCORPORATED	SHEET NO. 4 OF 5																			
DRAFT WHERE APPLICABLE MUST REMAIN WITHIN DIMENSIONS SET THIS DRAWING CONTAINS INFORMATION THAT IS PROPRIETARY TO MOLEX INCORPORATED AND SHOULD NOT BE USED WITHOUT WRITTEN PERMISSION																								

DATE	REV	CHANGES	COMMENTS
2003/11/04	1	PRELIMINARY DOCUMENT	N/A
2004/07/08	A	INITIAL RELEASE	N/A
2005/06/03	B	CORRECTED P/N FOR DIALIGHT LED	DOCUMENT CHANGE ONLY
2005/06/10	C	UPDATED VIEWS TO SHOW CLEARANCE HOLES ADDED TO THE COVER.	N/A

ENTER DESCRIPTION EC NO: 0747270002 DRAWN BY: XSIMONSON CHECKED BY: BRUSSELL APPROVED BY: BRUSSELL DATE: 2004/07/08 DATE: 2004/07/08 DATE: 2004/07/08	QUALITY SYMBOLS ▽=0 ▽=0	GENERAL TOLERANCES (UNLESS SPECIFIED)		DIMENSION STYLE IN/MM		SCALE 1:1	DESIGN UNITS METRIC	THIRD ANGLE PROJECTION
		4 PLACES ± .005 3 PLACES ± .005 2 PLACES ± 0.13 1 PLACE ± 0.25 ANGULAR ± 1°	INCH INCH INCH INCH	DRAWN BY XSIMONSON DATE 2004/07/08	CHECKED BY BRUSSELL DATE 2004/07/08	TITLE 1X2 SFP LIGHT PIPE ASSEMBLY, SIDE-TOP		MOLEX INCORPORATED
DRAFT WHERE APPLICABLE MUST REMAIN WITHIN DIMENSIONS		MATERIAL NO. 747270002		DOCUMENT NO. SD-74727-002		SHEET NO. 5 OF 5		
SET THIS DRAWING CONTAINS INFORMATION THAT IS PROPRIETARY TO MOLEX INCORPORATED AND SHOULD NOT BE USED WITHOUT WRITTEN PERMISSION								