

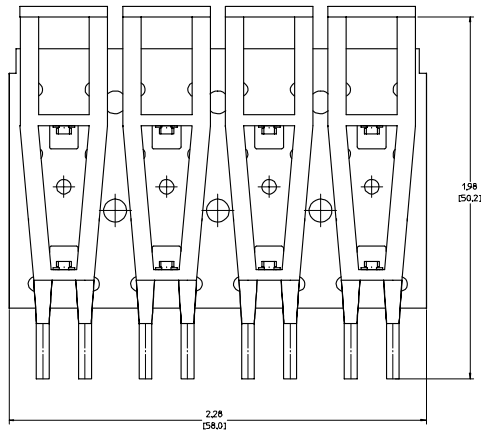
Excellent Integrated System Limited

Stocking Distributor

Click to view price, real time Inventory, Delivery & Lifecycle Information:

[Molex Connector Corporation](#)
[0747280003](#)

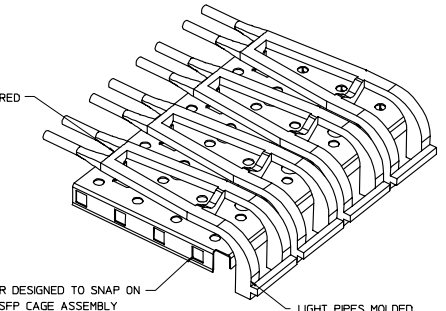
For any questions, you can email us directly:
sales@integrated-circuit.com



LIGHT PIPES SECURED TO METAL COVER

COVER DESIGNED TO SNAP ON THE SFP CAGE ASSEMBLY

LIGHT PIPES MOLDED WITH V0 RATED MATERIAL



NOTES:

1. THIS LIGHT PIPE ASSEMBLY TO BE USED WITH THE FOLLOWING 1X4 SFP CAGE ASSEMBLIES:

747280411 - 1X4 SFP CAGE ASSEMBLY W/ PRESS FIT PINS, W/ 0.090 GASKET, F/ LIGHT PIPES (REFER TO DOCUMENT SD-74728-411)

747280412 - 1X4 SFP CAGE ASSEMBLY W/ SOLDER POSTS, W/ 0.103 GASKET, F/ LIGHT PIPES (REFER TO DOCUMENT SD-74728-412)

747280415 - 1X4 SFP CAGE ASSEMBLY W/ PRESS FIT PINS, W/ 0.0103 GASKET, F/ LIGHT PIPES (REFER TO DOCUMENT SD-74728-415)

2. IT IS RECOMMENDED THAT THE CAGE ASSEMBLY BE PRESSED INTO OR SOLDERED TO THE PCB PRIOR TO ASSEMBLING THE LIGHT PIPE ASSEMBLY.

3. LED'S TO HAVE A MAXIMUM HEIGHT OF 1.4mm AND A MINIMUM HEIGHT OF 0.7mm

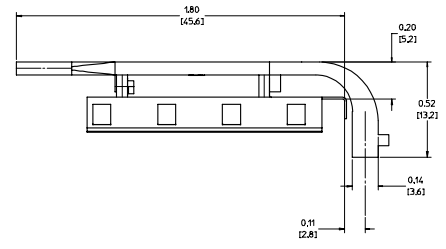
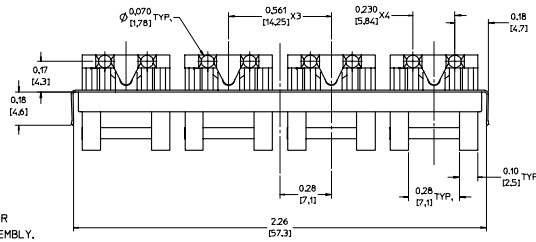
4. RECOMMENDED LED'S INCLUDE THE FOLLOWING MANUFACTURERS:

DIALIGHT; 597-77x1-5xx SERIES

CHICAGO MINIATURE; 7016 SERIES

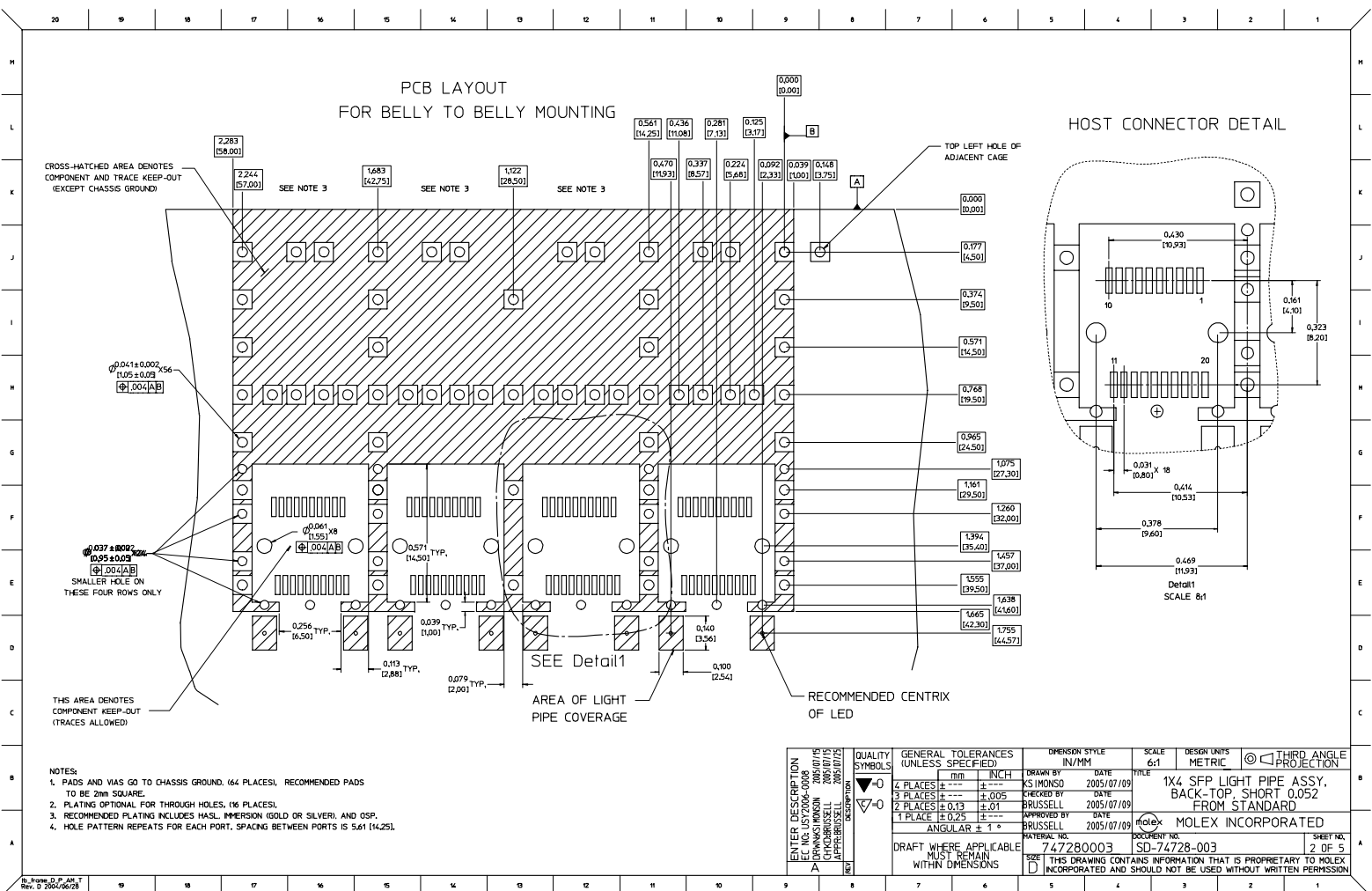
KINGBRIGHT; APBL3025 SERIES (BICOLOR)
APL3015 SERIES (SINGLE COLOR)

5. THIS PART MEETS THE RESTRICTION OF HAZARDOUS SUBSTANCES IN ELECTRICAL AND ELECTRONIC EQUIPMENT (ROHS) DIRECTIVE (2002/95/EC).



- DIALIGHT; 597-77x1-5xx SERIES
- CHICAGO MINIATURE; 7016 SERIES
- KINGBRIGHT; APBL3025 SERIES (BICOLOR)
APL3015 SERIES (SINGLE COLOR)

ENTER DESCRIPTION EIC NO. USY2006-0008 DRAWN BY MONDIN 2005/07/09 CHECKED BY BRUSSELL 2005/07/09 APPROVED BY BRUSSELL 2005/07/09 DESCRIPTION 1X4 SFP LIGHT PIPE ASSEMBLY	QUALITY SYMBOLS ▽=0 ▽/0	GENERAL TOLERANCES (UNLESS SPECIFIED)		DIMENSION STYLE IN/MM	SCALE 4:1	DESIGN UNITS METRIC	THIRD ANGLE PROJECTION
		4 PLACES ± .005 3 PLACES ± .005 2 PLACES ± 0.13 1 PLACE ± 0.25 ANGULAR ± 1°	4 PLACES ± .005 3 PLACES ± .005 2 PLACES ± 0.01 1 PLACE ± .01 ANGULAR ± 1°	DRAWN BY XS MONSO 2005/07/09 CHECKED BY DAWE 2005/07/09 APPROVED BY BRUSSELL 2005/07/09	DATE DATE DATE	FILE 1X4 SFP LIGHT PIPE ASSY, BACK-TOP, SHORT 0.052 FROM STANDARD	MOLEX MOLEX INCORPORATED



- NOTES:
1. PADS AND VIAS GO TO CHASSIS GROUND. (64 PLACES), RECOMMENDED PADS TO BE 2mm SQUARE.
 2. PLATING OPTIONAL FOR THROUGH HOLES. (16 PLACES).
 3. RECOMMENDED PLATING INCLUDES HASL, IMMERSION GOLD OR SILVER, AND OSP.
 4. HOLE PATTERN REPEATS FOR EACH PORT. SPACING BETWEEN PORTS IS 5.61 [14.25].

ENTER DESCRIPTION E.C. NO. U572006-0008 DRAWN BY APPROVED BY DATE	QUALITY SYMBOLS ▽=0 ▽/0	GENERAL TOLERANCES (UNLESS SPECIFIED)		DIMENSION STYLE IN/MM	SCALE 6:1	DESIGN UNITS METRIC	THIRD ANGLE PROJECTION
		4 PLACES ± .010 3 PLACES ± .005 2 PLACES ± 0.13 1 PLACE ± 0.25 ANGULAR ± 1°	4 PLACES ± .0004 3 PLACES ± .0002 2 PLACES ± .001 1 PLACE ± 0.005 ANGULAR ± 1°	DRAWN BY XS IMONSO CHECKED BY DAWE APPROVED BY BRUSSELL DATE 2005/07/09	FILE 1X4 SFP LIGHT PIPE ASSY, BACK-TOP, SHORT 0.052 FROM STANDARD	MATERIAL NO. 747280003	DOCUMENT NO. SD-74728-003

SEE THIS DRAWING CONTAINS INFORMATION THAT IS PROPRIETARY TO MOLEX INCORPORATED AND SHOULD NOT BE USED WITHOUT WRITTEN PERMISSION

PCB LAYOUT
FOR SINGLE SIDE MOUNTING

CROSS-HATCHED AREA DENOTES
COMPONENT AND TRACE KEEP-OUT
(EXCEPT CHASSIS GROUND)

$\phi 0.041 \pm 0.002$
 (1.05 ± 0.05)
 $\phi 0.004$ [A]

$\phi 0.037 \pm 0.002$
 (0.95 ± 0.05)
 $\phi 0.004$ [A]

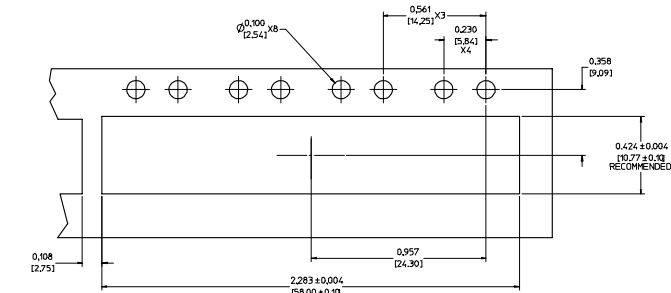
SMALLER HOLE ON
THESE FOUR ROWS ONLY

THIS AREA DENOTES
COMPONENT KEEP-OUT
(TRACES ALLOWED)

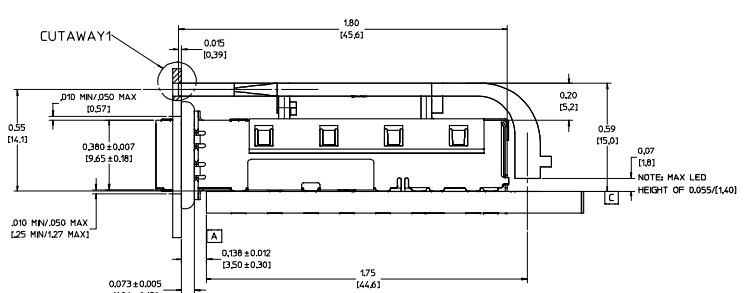
NOTES:

1. PADS AND VIAS GO TO CHASSIS GROUND. (34 PLACES). RECOMMENDED PADS TO BE 2mm SQUARE.
2. PLATING OPTIONAL FOR THROUGH HOLES. (12 PLACES).
3. RECOMMENDED PLATING INCLUDES HASL, IMMERSION (GOLD OR SILVER), AND OSP.
4. HOLE PATTERN REPEATS FOR EACH PORT. SPACING BETWEEN PORTS IS 5.61 (14.25).

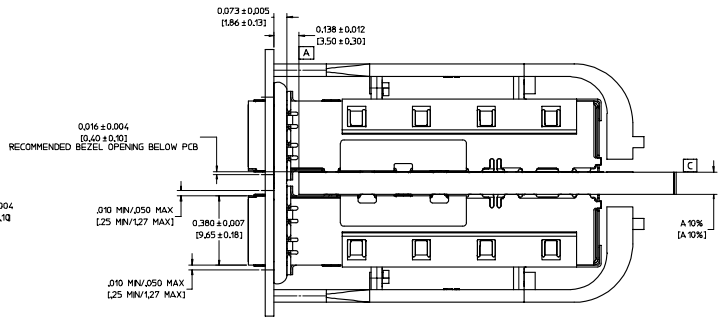
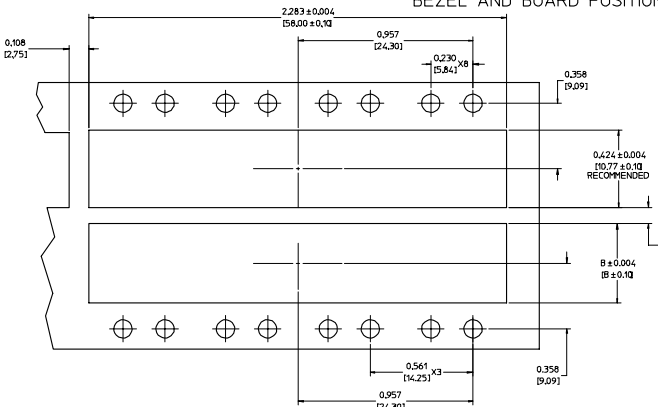
ENTER DESCRIPTION EIC NO: UST2006-0008 DRAWN BY: KXIMONSO CHECKED BY: DAVID APPROVED BY: BRUSSELL DATE: 2005/07/09 DATE: 2005/07/09 DATE: 2005/07/09	QUALITY SYMBOLS ▽=0 ▽=0	GENERAL TOLERANCES (UNLESS SPECIFIED) DIM INCH 4 PLACES ± --- ± --- 3 PLACES ± --- ± 0.05 2 PLACES ± 0.13 ± 0.01 1 PLACE ± 0.25 ± --- ANGULAR ± 1°	DIMENSION STYLE IN/MM DRAWN BY: KXIMONSO CHECKED BY: DAVID APPROVED BY: BRUSSELL DATE: 2005/07/09 DATE: 2005/07/09 DATE: 2005/07/09	SCALE 6:1	DESIGN UNITS METRIC	THIRDO ANGLE PROJECTION	FILE 1X4 SFP LIGHT PIPE ASSY, BACK-TOP; SHORT 0.052 FROM STANDARD	MOLEX INCORPORATED	SHEET NO. 3 OF 5



BEZEL AND BOARD POSITION DIMENSIONS FOR SINGLE SIDE MOUNTING






BEZEL AND BOARD POSITION DIMENSIONS FOR BELLY TO BELLY MOUNTING



NOTE: FOR A GIVEN BOARD THICKNESS (A), DIMENSIONS (B) AND (C) ARE DIRECTLY AFFECTED.
USE RECOMMENDED DIMENSIONS AND TOLERANCES TO AID IN DEVELOPING BEZEL OPENING.
FOR EXAMPLE USING A BOARD THICKNESS OF .125" THE RECOMMENDED VALUES WOULD BE:
A = .125/3.18 ± 10%
B = .434/11.03 ± .004
C = .088/2.23 ± .004

ENTER DESCRIPTION ELEC INC. USY2006-0008 0747280003 1X4 SFP LIGHT PIPE CVR ASY BACK-TOP BRUSSELL 2005/07/09	QUALITY SYMBOLS ▽=0 ▽=0	GENERAL TOLERANCES (UNLESS SPECIFIED)		DIMENSION STYLE IN/MM	SCALE 4:1	DESIGN UNITS METRIC	THIRDO ANGLE PROJECTION
		4 PLACES ± --- ± --- 3 PLACES ± --- ± --- 2 PLACES ± 0.13 ± .01 1 PLACE ± 0.25 ± --- ANGULAR ± 1°	MILL INCH				
DRAWN BY: XS MONSO CHECKED BY: DAVE APPROVED BY: BRUSSELL DATE: 2005/07/09		DATE: 2005/07/09		FILE: 1X4 SFP LIGHT PIPE ASSY, BACK-TOP, SHORT 0.052 FROM STANDARD		MOLEX INCORPORATED	
MATERIAL NO.: 747280003 DOCUMENT NO.: SD-74728-003		SHEET NO.: 4 OF 5		SET THIS DRAWING CONTAINS INFORMATION THAT IS PROPRIETARY TO MOLEX INCORPORATED AND SHOULD NOT BE USED WITHOUT WRITTEN PERMISSION			

DATE	REV	CHANGES	COMMENTS
2005/07/09	A	INITIAL RELEASE	N/A

ENTER DESCRIPTION E.C. NO. US72006-0008 DRAWN BY MONSON 2005/07/09 CHECKED BY BRUSSELL 2005/07/09 APPROVED BY BRUSSELL 2005/07/09 DESCRIPTION 1X4 SFP LIGHT PIPE CVR ASY BACK-TOP	QUALITY SYMBOLS  	GENERAL TOLERANCES (UNLESS SPECIFIED)		DRAGON STYLE IN/MM	SCALE 1:1	DESIGN UNITS METRIC	 THIRD ANGLE PROJECTION
		4 PLACES ± .005 ± .005 3 PLACES ± .005 ± .005 2 PLACES ± 0.13 ± .01 1 PLACE ± 0.25 ± .01 ANGULAR ± 1°	DRAWN BY DATE KS MONSON 2005/07/09 CHECKED BY DATE BRUSSELL 2005/07/09 APPROVED BY DATE BRUSSELL 2005/07/09	TITLE 1X4 SFP LIGHT PIPE ASSY, BACK-TOP; SHORT 0.052 FROM STANDARD	MATERIAL NO. 747280003	DOCUMENT NO. SD-74728-003	SHEET NO. 5 OF 5
DRAFT WHERE APPLICABLE MUST REMAIN WITHIN DIMENSIONS		SET THIS DRAWING CONTAINS INFORMATION THAT IS PROPRIETARY TO MOLEX INCORPORATED AND SHOULD NOT BE USED WITHOUT WRITTEN PERMISSION					