



Excellent Integrated System Limited

Stocking Distributor

Click to view price, real time Inventory, Delivery & Lifecycle Information:

[Molex Connector Corporation](#)
[0747280417](#)

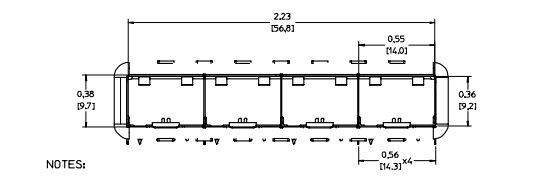
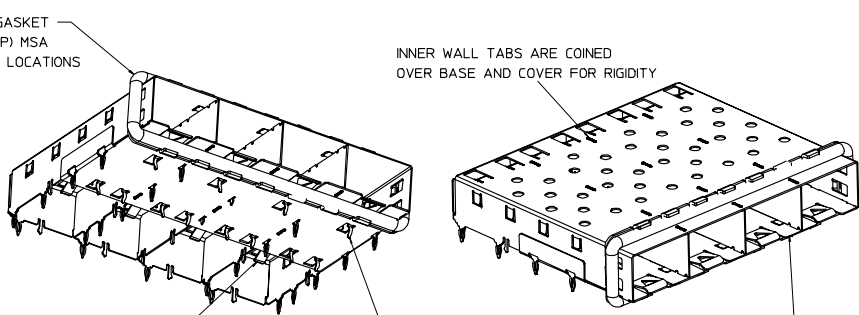
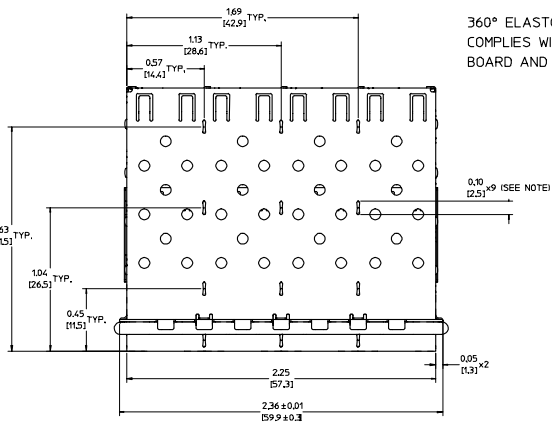
For any questions, you can email us directly:

sales@integrated-circuit.com

20 19 18 17 16 15 14 13 12 11 74728 9 8 7 6 5 4 3 2 1

L
K
J
I
H
G
F
E
D
C
B
A

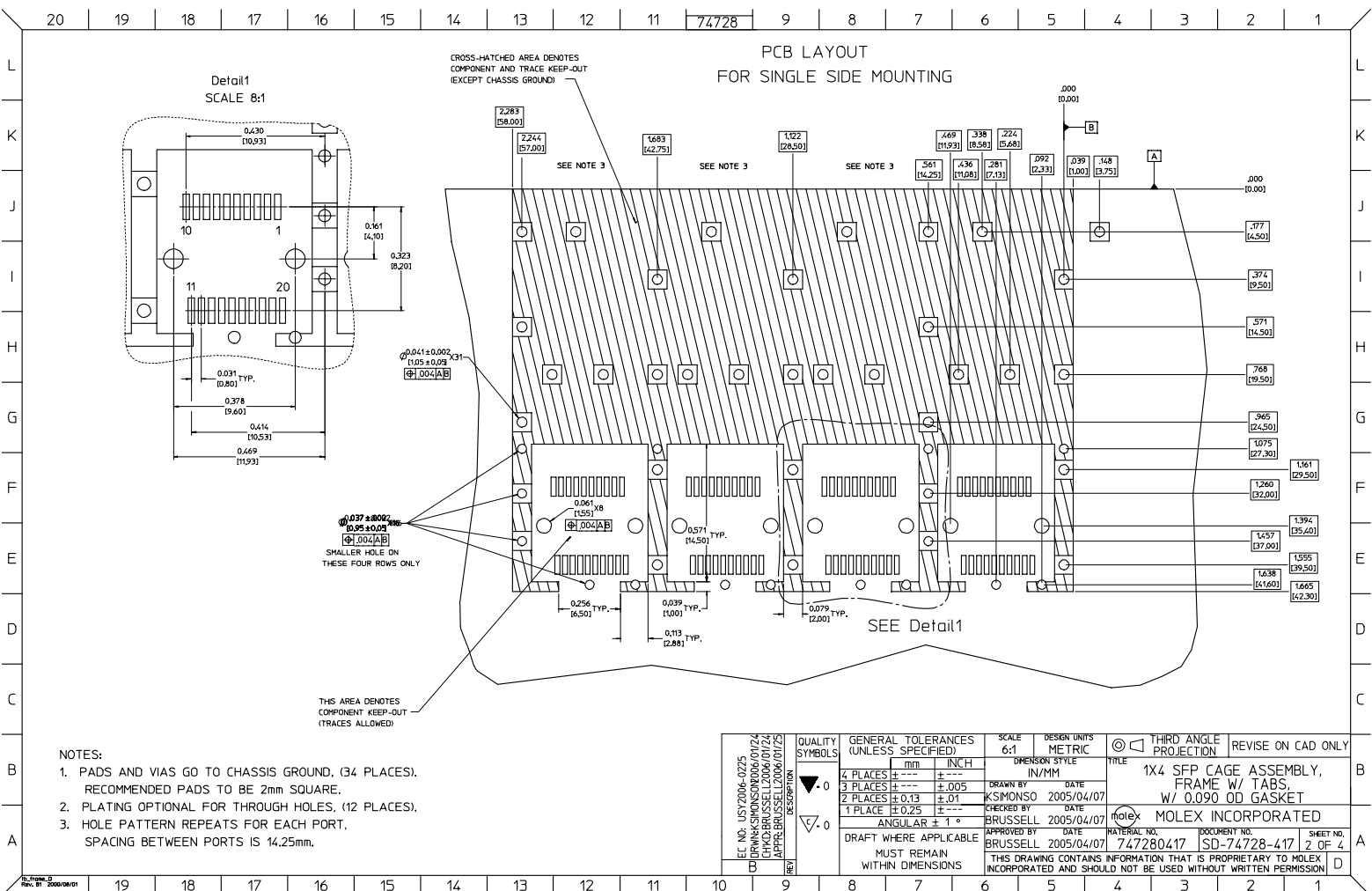
L
K
J
I
H
G
F
E
D
C
B
A



- NOTES:
- PRESS FIT LEGS 0.120" LONG- 0.062 (1.57) MINIMUM PCB THICKNESS. FOR SINGLE SIDED USE ONLY.
 - MATERIAL: COPPER ALLOY
PLATING: NONE
- NOTE: A PRE-PLATED NICKEL VERSION IS AVAILABLE. REFER TO DOCUMENT SD-74728-420
- REFERENCE DOCUMENTS:
PRODUCT SPECIFICATION: PS-74728-000
COSMETIC SPECIFICATIONS: WI-HP-7-2774 AND WI-HPA-7-0093
TEST SUMMARY: TS-74728-0415
 - MATES WITH SERIES 74728, LIGHT PIPE COVER ASSEMBLY.
 - THIS PART MEETS THE RESTRICTION OF HAZARDOUS SUBSTANCES IN ELECTRICAL AND ELECTRONIC EQUIPMENT (ROHS) DIRECTIVE (2002/95/EC).

EC NO. USY7006-0275 DRAWN: KSMONSO/06/01/24 CHECKED: BRUSSELL/2006/01/24 APPROVED: BRUSSELL/2006/01/25 DESCRIPTION:	QUALITY SYMBOLS	GENERAL TOLERANCES (UNLESS SPECIFIED)	SCALE 3:1	DESIGN UNITS METRIC	THIRD ANGLE PROJECTION	REVISE ON CAD ONLY
	4 PLACES ± --- ± --- 3 PLACES ± --- ± 0.05 2 PLACES ± 0.13 ± 0.1 1 PLACE ± 0.25 ± --- ANGULAR ± 1°	DIMENSION STYLE IN/MM DRAWN BY KSMONSO DATE 2005/04/07 CHECKED BY BRUSSELL DATE 2005/04/07 APPROVED BY BRUSSELL DATE 2005/04/07	DRAFT WHERE APPLICABLE MUST REMAIN WITHIN DIMENSIONS	DIMENSION STYLE IN/MM DRAWN BY KSMONSO DATE 2005/04/07 CHECKED BY BRUSSELL DATE 2005/04/07 APPROVED BY BRUSSELL DATE 2005/04/07	TITLE 1X4 SFP CAGE ASSEMBLY, FRAME W/ TABS, W/ 0.090 OD GASKET MOLEX INCORPORATED	MATERIAL NO. 747280417 DOCUMENT NO. SD-74728-417 SHEET NO. 1 OF 4

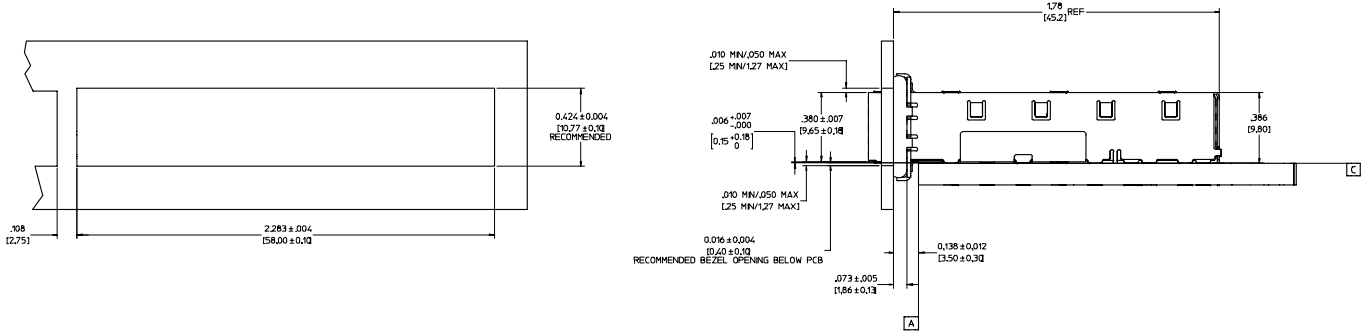
19 18 17 16 15 14 13 12 11 10 9 8 7 6 5 4 3 2 1



- NOTES:
1. PADS AND VIAS GO TO CHASSIS GROUND, (34 PLACES).
RECOMMENDED PADS TO BE 2mm SQUARE.
 2. PLATING OPTIONAL FOR THROUGH HOLES, (12 PLACES).
 3. HOLE PATTERN REPEATS FOR EACH PORT,
SPACING BETWEEN PORTS IS 14.25mm.

EC NO. USY72006-0275 DRAWN BY: DRANKSIMPSON/06/01/24 CHECKED BY: BRUSSELL/20/06/01/24 APPROVED BY: BRUSSELL/20/06/01/25	QUALITY SYMBOLS	GENERAL TOLERANCES (UNLESS SPECIFIED)	SCALE: 6:1	DESIGN UNITS: METRIC	THIRD ANGLE PROJECTION	REVISE ON CAD ONLY
	0 0.0 0.1 0.2 0.3 0.4 0.5 0.6 0.7 0.8 0.9 1.0	4 PLACES ± ---	mm	IN/MM	TITLE: 1X4 SFP CAGE ASSEMBLY, FRAME W/ TABS, W/ 0.090 OD GASKET	MOLEX INCORPORATED MATERIAL NO. 747280417 DOCUMENT NO. ISD-74728-417 SHEET NO. 2 OF 4
		3 PLACES ± ---	± 0.005	DRAWN BY: KSMONSO	DATE: 2005/04/07	
		2 PLACES ± 0.13	± 0.1	CHECKED BY: BRUSSELL	DATE: 2005/04/07	
1 PLACE ± 0.25	± ---	APPROVED BY: BRUSSELL	DATE: 2005/04/07			
DRAFT WHERE APPLICABLE MUST REMAIN WITHIN DIMENSIONS		ANGULAR ± 1°		THIS DRAWING CONTAINS INFORMATION THAT IS PROPRIETARY TO MOLEX INCORPORATED AND SHOULD NOT BE USED WITHOUT WRITTEN PERMISSION.		

BEZEL AND BOARD POSITION DIMENSIONS FOR SINGLE SIDE MOUNTING



EC. NO. USY7006-0275 DRAWN BY KSMONSO/06/01/24 CHKD BY BRUSSELL/20/06/01/24 APPR. BY BRUSSELL/20/06/01/25	QUALITY SYMBOLS ▽.0 ▽.0	GENERAL TOLERANCES (UNLESS SPECIFIED)		SCALE 4:1	DESIGN UNITS METRIC	THIRD ANGLE PROJECTION	REVISE ON CAD ONLY
		4 PLACES ± --- ± ---	3 PLACES ± --- ± .005	2 PLACES ± 0.13 ± .01	1 PLACE ± 0.25 ± ---	ANGULAR ± 1°	DRAFT WHERE APPLICABLE MUST REMAIN WITHIN DIMENSIONS
				DIMENSION STYLE IN/MM		TITLE 1X4 SFP CAGE ASSEMBLY, FRAME W/ TABS, W/ 0.090 OD GASKET	
				DRAWN BY KSMONSO DATE 2005/04/07		MOLEX INCORPORATED	
				CHECKED BY BRUSSELL DATE 2005/04/07		MATERIAL NO. 747280417 DOCUMENT NO. SD-74728-417 SHEET NO. 3 OF 4	
				APPROVED BY BRUSSELL DATE 2005/04/07			

20 19 18 17 16 15 14 13 12 11 74728 9 8 7 6 5 4 3 2 1

DATE	REV	CHANGES	COMMENTS
2005/04/07	A	INITIAL RELEASE	N/A
2006/01/20	B	MODIFIED NOTES	DOCUMENT CHANGE ONLY

EC NO. USY2006-0275 DRAWN BY KSMONSO 2006/01/24 CHECKED BY BRUSSELL 2006/01/24 APPROVED BY BRUSSELL 2006/01/25	QUALITY SYMBOLS ▽ 0 ▽ 0	GENERAL TOLERANCES (UNLESS SPECIFIED)	SCALE 1:1	DESIGN UNITS METRIC	THIRD ANGLE PROJECTION	REVISE ON CAD ONLY													
		<table border="1"> <tr> <th></th> <th>mm</th> <th>INCH</th> </tr> <tr> <td>4 PLACES</td> <td>±---</td> <td>±---</td> </tr> <tr> <td>3 PLACES</td> <td>±---</td> <td>±.005</td> </tr> <tr> <td>2 PLACES</td> <td>±0.13</td> <td>±.01</td> </tr> <tr> <td>1 PLACE</td> <td>±0.25</td> <td>±---</td> </tr> </table>		mm	INCH	4 PLACES	±---	±---	3 PLACES	±---	±.005	2 PLACES	±0.13	±.01	1 PLACE	±0.25	±---	DIMENSION STYLE IN/MM	TITLE 1X4 SFP CAGE ASSEMBLY, FRAME W/ TABS, W/ 0.090 OD GASKET
	mm	INCH																	
4 PLACES	±---	±---																	
3 PLACES	±---	±.005																	
2 PLACES	±0.13	±.01																	
1 PLACE	±0.25	±---																	
DRAFT WHERE APPLICABLE MUST REMAIN WITHIN DIMENSIONS		THIS DRAWING CONTAINS INFORMATION THAT IS PROPRIETARY TO MOLEX INCORPORATED AND SHOULD NOT BE USED WITHOUT WRITTEN PERMISSION																	

19 18 17 16 15 14 13 12 11 10 9 8 7 6 5 4 3 2 1