

Excellent Integrated System Limited

Stocking Distributor

Click to view price, real time Inventory, Delivery & Lifecycle Information:

[Molex Connector Corporation](#)

[0751151028](#)

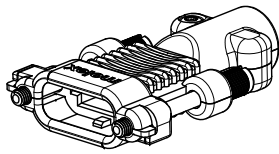
For any questions, you can email us directly:

sales@integrated-circuit.com

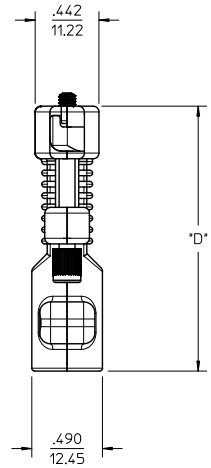
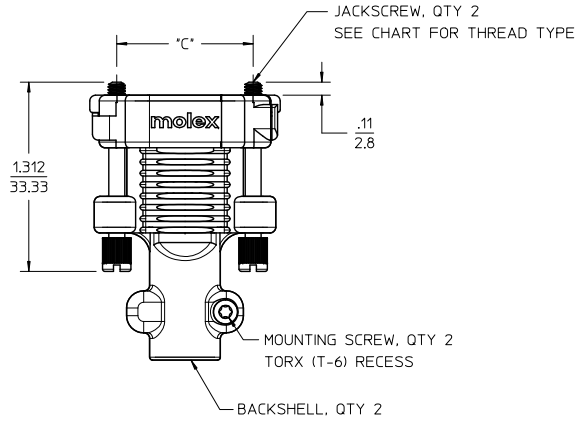
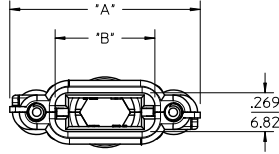
CKT SIZE	"A" DIM	"B" DIM	"C" DIM	"D" DIM	"E" DIM	CABLE OD
18	1.320/33.55	.691/17.56	.950/24.13	1.835/46.62	.490/12.45	.310/7.87
28	1.570/39.90	.941/23.91	1.200/30.48	1.835/46.62	.490/12.45	.335/8.51
48	2.070/52.60	1.441/36.61	1.700/43.18	2.478/62.93	.569/14.45	.440/11.18

NOTES:

1. MATERIALS:
 BACKSHELL - ZINC ALLOY DIE CAST, FINISH BLACK POLYURETHANE ENAMEL.
 JACKSCREW - STEEL ALLOY, FINISH BLACK ZINC PLATING.
 MOUNTING SCREW - STEEL ALLOY, FINISH BLACK ZINC PLATING.
2. PLUG CABLE KIT COMPONENTS TO BE BULK PACKAGED PER PK-75115-990.
3. MOUNTING SCREW APPLICATION TORQUE TO BE MIN. 3 lbf-in AND NOT TO EXCEED 4 lbf-in.
4. STRAIN RELIEF IS DESIGNED FOR THE CABLE DIAMETER SPECIFIED IN TABLE ON THIS PAGE.
 WHEN USING SMALLER CABLE DIAMETER, USE HEAT SHRINK TUBING TO BUILD UP THE CABLE TO SPECIFIED DIAMETER.
5. PARTS CONFORM TO CLASS B OF COSMETIC SPECIFICATION PS-45499-002.



18 CIRCUIT PLUG CABLE KIT SHOWN



75115-0048	75115-1048	48
75115-0028	75115-1028	28
75115-0018	75115-1018	18
PLUG CABLE KIT (4-40 JACKSCREW)	PLUG CABLE KIT (M3 JACKSCREW)	CIRCUIT SIZE

CORRECT LENGTH DIM	REV	DESCRIPTION	QUALITY SYMBOLS	GENERAL TOLERANCES (UNLESS SPECIFIED)		DIMENSION STYLE		SCALE	DESIGN UNITS	THIRD ANGLE PROJECTION
				mm	INCH	IN/MM	DATE			
EC NO: UCP2011-3769 DRAWN BY: DRINKIRGAN 2011/06/02 CHKD BY: CHIKDIRBARA 2011/06/02 APPR: MILLER 2011/06/20			▽=0	4 PLACES ± ---	± ---	TMCLELL	02/11/05	2:1	METRIC	SALES DRAWING TDP PLUG CABLE KIT BLACK FINISH
			▽=0	3 PLACES ± ---	± .010	TMCLELL	02/11/07			
			▽=0	2 PLACES ± 0.25	± .015	TMCLELL	02/11/07			
			▽=0	1 PLACE ± 0.38	± ---	BANAKIS	02/11/07			
				ANGULAR ± 1/2°						MOLEX INCORPORATED
				DRAFT WHERE APPLICABLE MUST REMAIN WITHIN DIMENSIONS		SEE CHART				SD-75115-001
										1 OF 1