

Excellent Integrated System Limited

Stocking Distributor

Click to view price, real time Inventory, Delivery & Lifecycle Information:

[Molex Connector Corporation](#)
[0768710008](#)

For any questions, you can email us directly:

sales@integrated-circuit.com

NOTES:

1. MATERIAL:

CAGE: NICKEL SILVER, 0.25mm THICK
EMI STRAPS: PHOS-BRONZE
AIR-VENT/LIGHT PIPE HOUSINGS: DIECAST ALLOY
LIGHT PIPES: POLYCARBONATE (OPTIONAL)
CONNECTOR HOUSING: HIGH TEMPERATURE THERMOPLASTIC
TERMINALS: COPPER ALLOY
GASKET - CONDUCTIVE ELASTOMER HB/94V-0 SEE OPTIONS.

2. FINISH:

CAGE: UNPLATED
EMI STRAPS: 100 MICRONS NICKEL OVERALL
AIR-VENT/LIGHT PIPE HOUSINGS: NICKEL OVER COPPER
TERMINALS: CONTACT AREA: 0.76 μm MIN. GOLD OVER
2.54 μm MIN. NICKEL.

COMPLIANT TAIL:

0.76-1.52 μm MATTE TIN OVER 1.27 μm MIN NICKEL.

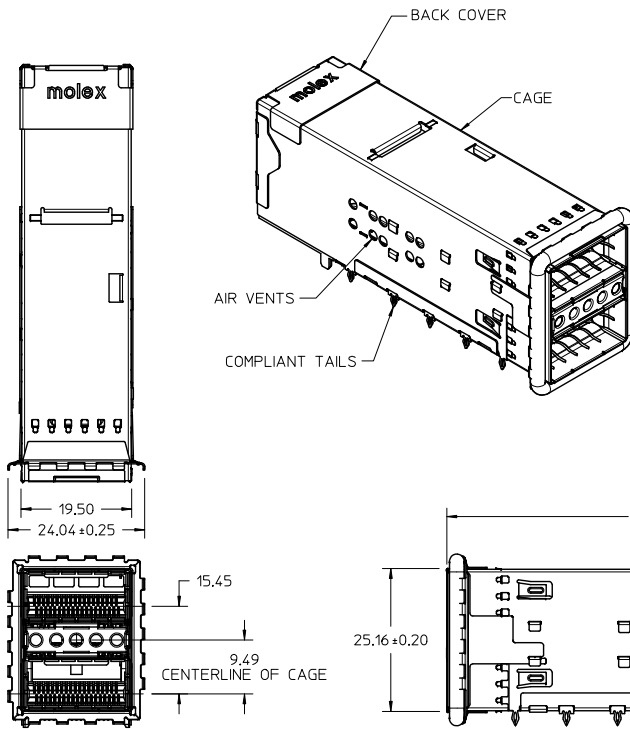
3. PACKAGING: PRODUCT PACKAGED IN TRAYS AND CARTONS

4. ALL VISIBLE EXTERIOR SURFACES TO BE CLASS 'B' OR BETTER, EXCEPT FOR THE UNDERSIDE OF THE CAGE AND SHOULD CONFORM TO THE MOLEX COSMETIC STANDARD PS-171233-0001

5. CONNECTOR MATES WITH PLUG CABLE SERIES 74757 AND 74758

6. DATE CODE LOCATION SHOWN

DATE CODE FORMAT-DDDY
DDD= DAY OF THE YEAR
Y= YEAR

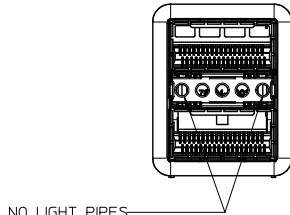


DATE CODE
LOCATION
SEE NOTE 6

LOCATING PEGS

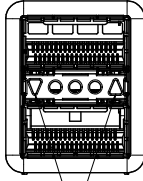
PART NUMBER	DESCRIPTION	GASKET
76871-0005	NO LIGHT PIPES	STANDARD
76871-0006	LEFT LP DOWN	STANDARD
76871-0008	LEFT LP UP	STANDARD
76871-0015	NO LIGHT PIPES	94V-0
76871-0016	LEFT LP DOWN	94V-0
76871-0018	LEFT LP UP	94V-0

ADDED 94V-0 PART NUMBERS EC NO: UCP2014-5062 DRAWN BY: DRWINHAWERY CHKD: CHIKO APPR: MBANKA1S REV	DESCRIPTION 2014/06/03 2014/06/05	QUALITY SYMBOLS ▽=0 ▽=0 ▽=0	GENERAL TOLERANCES (UNLESS SPECIFIED)		DIMENSION STYLE MM ONLY		SCALE	DESIGN UNITS	THIRD ANGLE PROJECTION		
			mm	INCH	DRAWN BY	DATE	2:1	METRIC			
			4 PLACES	±---	±---	JJANTELEZIO	2010/04/30			QSFP PLUS ASSEMBLY STACKED 2X1	
			3 PLACES	±---	±---	CHECKED BY	DATE				
			2 PLACES	±0.13	±---	JJANTELEZIO	2010/04/30				
			1 PLACE	±0.25	±---	APPROVED BY	DATE				
				ANGULAR	±1/2°	MBANKA1S	2010/10/22				
			DRAFT WHERE APPLICABLE MUST REMAIN WITHIN DIMENSIONS			SEE CHART				MOLEX INCORPORATED	
						MATERIAL NO.				DOCUMENT NO.	
						SD-76871-001				SHEET NO.	
										1 OF 3	
THIS DRAWING CONTAINS INFORMATION THAT IS PROPRIETARY TO MOLEX INCORPORATED AND SHOULD NOT BE USED WITHOUT WRITTEN PERMISSION											



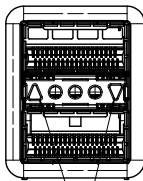
NO LIGHT PIPES

P/N 768710001/
768710005
76871-0015



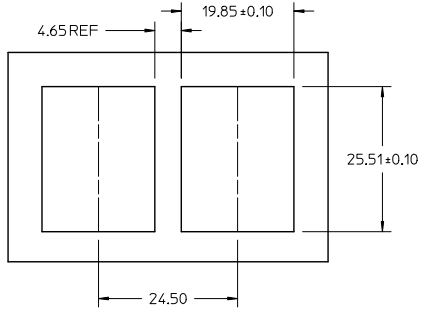
PORT ACTIVITY INDICATORS
LIGHT PIPES

P/N 768710002/
768710006
768710016

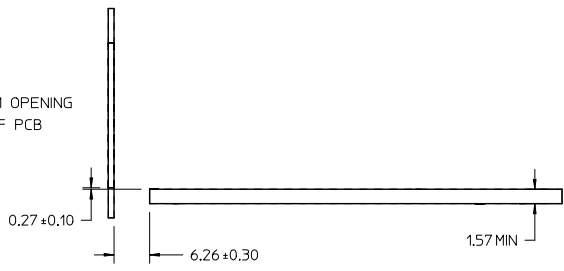


PORT ACTIVITY INDICATORS
LIGHT PIPES

P/N 768710004/
768710008
768710018

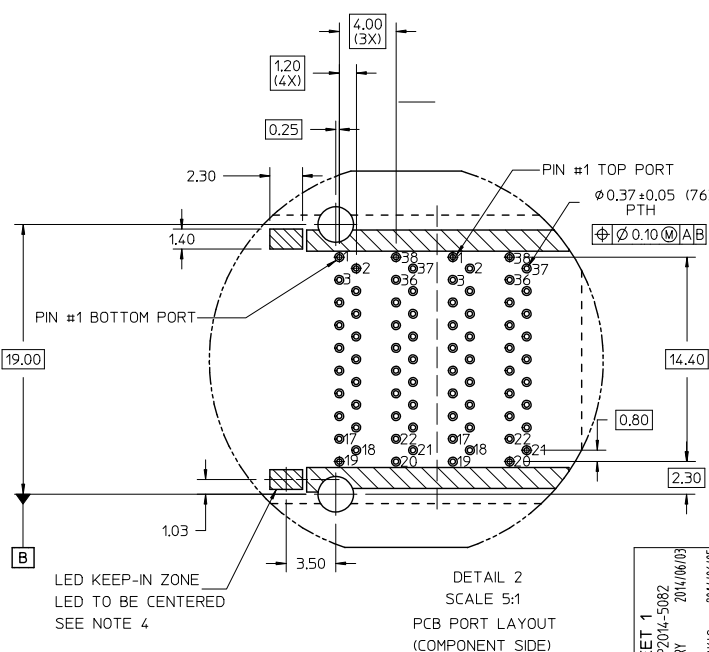
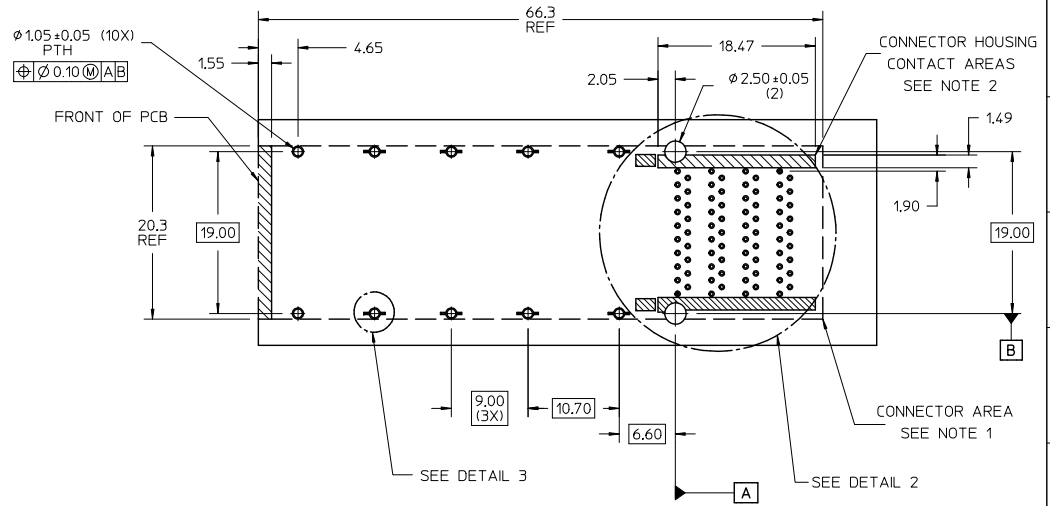
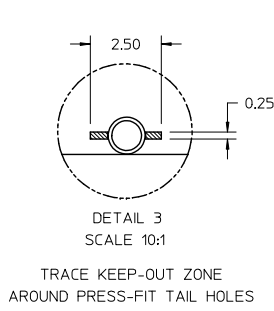


PANEL FROM OPENING
TO TOP OF PCB



RECOMMENDED PANEL CUT-OUT

SEE SHEET 1 EC NO: UCP2014-5082 DRAWN BY: 2014/06/03 CHKD: 2014/06/05 APPR: MBANKI S 2014/06/05 DESCRIPTION:	QUALITY SYMBOLS	GENERAL TOLERANCES (UNLESS SPECIFIED)	DIMENSION STYLE	SCALE	DESIGN UNITS	THIRD ANGLE PROJECTION
	▽=0	mm INCH	MM ONLY	2:1	METRIC	
	▽=0	4 PLACES ± --- ± ---	DRAWN BY: JJANTELEZ I O	DATE: 2010/04/30	TITLE: QSFP PLUS ASSEMBLY STACKED 2X1	
	▽=0	3 PLACES ± --- ± ---	CHECKED BY: JJANTELEZ I O	DATE: 2010/04/30	MOLEX INCORPORATED	
		2 PLACES ± 0.13 ± ---	APPROVED BY: MBANKI S	DATE: 2010/10/22	MATERIAL NO.	DOCUMENT NO. SD-76871-001
		1 PLACE ± 0.25 ± ---	DRAFT WHERE APPLICABLE MUST REMAIN WITHIN DIMENSIONS		SEE SHEET 1	SHEET NO. 2 OF 3
		ANGULAR ± 1/2°	THIS DRAWING CONTAINS INFORMATION THAT IS PROPRIETARY TO MOLEX INCORPORATED AND SHOULD NOT BE USED WITHOUT WRITTEN PERMISSION			



NOTES:

1. THE ENTIRE AREA UNDER THE CONNECTOR (DASHED LINES) IS TO BE CONSIDERED A KEEP-OUT AREA FOR COMPONENTS.
2. HATCHED AREAS REPRESENT ZONES ON THE PCB THAT COME IN CONTACT WITH OR BE IN CLOSE PROXIMITY TO THE PLASTIC HOUSING OR THE CONNECTOR CAGE. INDICATED AREAS TO BE CONSIDERED TRACE FREE.
3. PIN NUMBERS ARE PER THE STANDARD. BOTH PORTS ARE IN THE SAME (UP-UP) MODULE ORIENTATION.
4. LED KEEP-IN ZONE DEFINES THE PHYSICAL SPACE ALLOWED FOR PLACEMENT OF SMD CHIP STYLE LED PACKAGES. KEEP-IN ZONE EXTENDS VERTICALLY TO 0.8mm ABOVE THE TOP SIDE OF BOARD.
5. SEE APPLICATION SPEC AS-76870-001 FOR RECOMMENDED DRILL HOLE SIZE.

SEE SHEET 1 EC NO: UCP2014-5082 DRAWN BY: DRWINHAWERY CHKD: APPR: MBANKAKIS 2014/06/03 2014/06/05 DESCRIPTION:	QUALITY SYMBOLS	GENERAL TOLERANCES (UNLESS SPECIFIED)	DIMENSION STYLE	SCALE	DESIGN UNITS	THIRD ANGLE PROJECTION
	4 PLACES ± --- ± --- 3 PLACES ± --- ± --- 2 PLACES ± 0.13 ± --- 1 PLACE ± 0.25 ± --- ANGULAR ± 1/2°	MM ONLY	3:1	METRIC	MOLEX INCORPORATED MOLEX INCORPORATED	QSFPLUS ASSEMBLY STACKED 2X1
	DRAWN BY: JJANTELEZIO CHECKED BY: JJANTELEZIO APPROVED BY: MBANKAKIS DATE: 2010/04/30 DATE: 2010/04/30 DATE: 2010/10/22	MATERIAL NO. SEE SHEET 1	DOCUMENT NO. SD-76871-001	SHEET NO. 3 OF 3		
	DRAFT WHERE APPLICABLE MUST REMAIN WITHIN DIMENSIONS					