

## Excellent Integrated System Limited

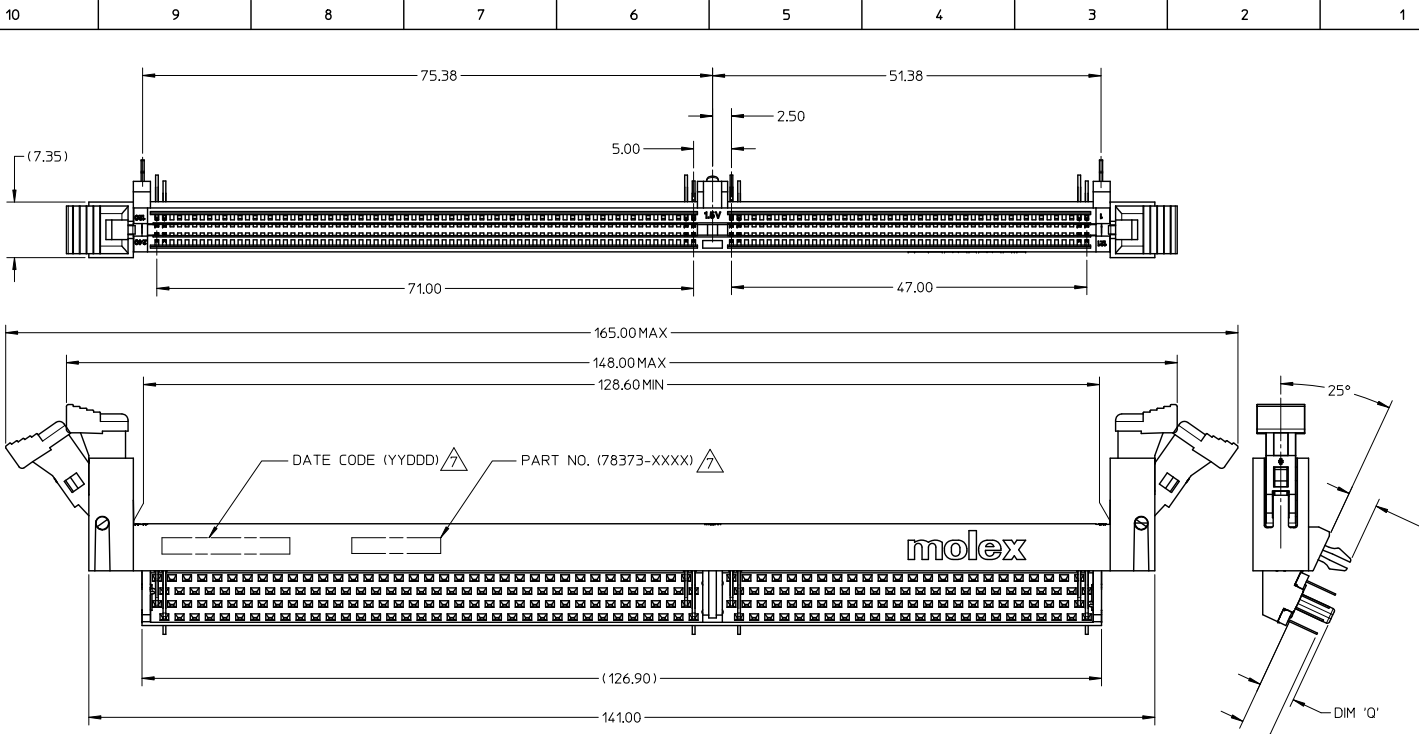
Stocking Distributor

Click to view price, real time Inventory, Delivery & Lifecycle Information:

[Molex Connector Corporation](#)  
[0783730011](#)

For any questions, you can email us directly:

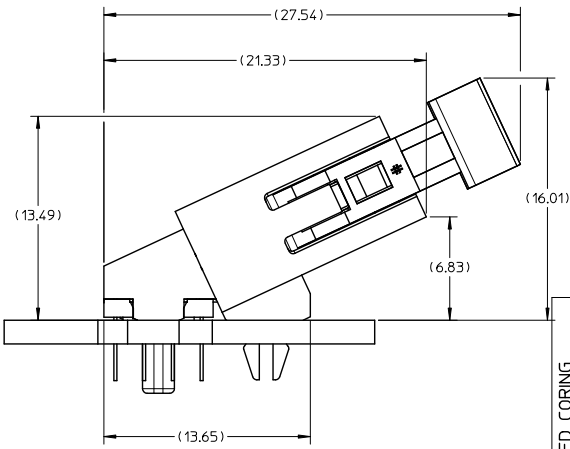
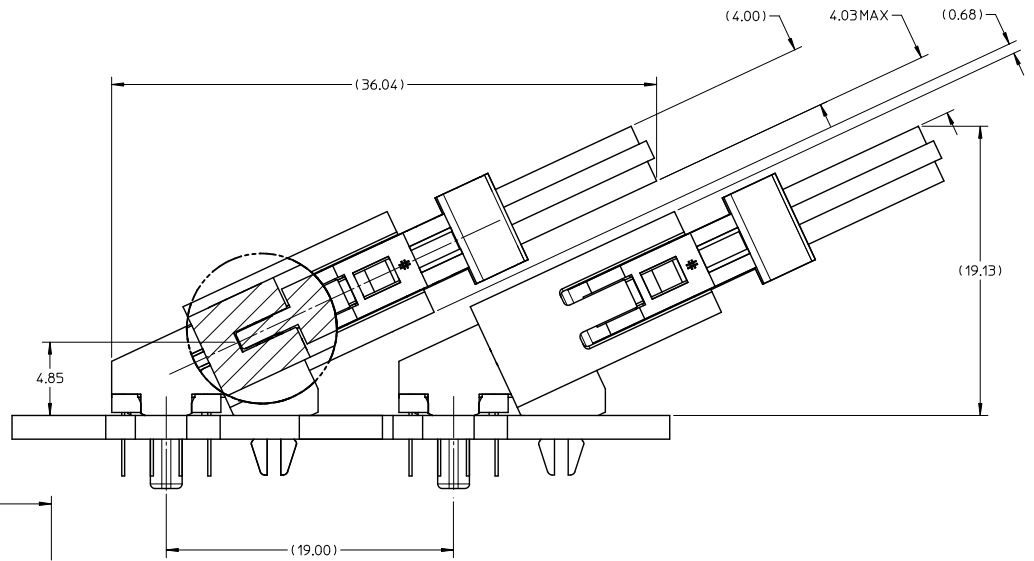
[sales@integrated-circuit.com](mailto:sales@integrated-circuit.com)



NOTES:

- MATERIALS:  
HOUSING & BASEPLATE - LCP, GLASS-FILLED, UL94V-0, BLACK  
LATCH - HIGH TEMPERATURE NYLON, GLASS-FILLED, UL94V-0, BLACK  
TERMINALS & FORKLICK - COPPER ALLOY
  - PLATING : CONTACT AREA - SEE TABLE IN SHEET 5  
SOLDERTAIL - SEE TABLE IN SHEET 5
  - CARD SLOT ACCEPTS 1.27±0.10MM MODULE THICKNESS (MEASURE OVER PC PAD)
  - REFER TO PRODUCT SPECIFICATION PS-78373-001 FOR PERFORMANCE SPECIFICATION
  - RECOMMENDED MODULE CARD LAYOUT SHELL BE AS PER JEDEC M0-269
  - PRODUCT SHALL BE PACKED IN TRAY
- △ MOLEX LOGO , DATE CODE PART NUMBER INDICATED ON HOUSING

ADDED CORING EC NO. S2010-0787 DRAWN: CCTEH CHKD: CGTAN APPR: SHLENI 2010/03/27 2011/01/24 2011/01/24	QUALITY SYMBOLS	GENERAL TOLERANCES (UNLESS SPECIFIED)	DIMENSION STYLE	SCALE	DESIGN UNITS	THIRD ANGLE PROJECTION																		
	$\sqrt{\text{A}}=0$ $\sqrt{\text{B}}=0$ $\sqrt{\text{C}}=0$	<table border="1"> <thead> <tr> <th></th> <th>mm</th> <th>INCH</th> </tr> </thead> <tbody> <tr> <td>4 PLACES</td> <td>±---</td> <td>±---</td> </tr> <tr> <td>3 PLACES</td> <td>±---</td> <td>±---</td> </tr> <tr> <td>2 PLACES</td> <td>±0.25</td> <td>±---</td> </tr> <tr> <td>1 PLACE</td> <td>±---</td> <td>±---</td> </tr> <tr> <td colspan="3">ANGULAR ± 3 °</td> </tr> </tbody> </table>		mm	INCH	4 PLACES	±---	±---	3 PLACES	±---	±---	2 PLACES	±0.25	±---	1 PLACE	±---	±---	ANGULAR ± 3 °			MM ONLY	NTS	METRIC	
		mm	INCH																					
	4 PLACES	±---	±---																					
3 PLACES	±---	±---																						
2 PLACES	±0.25	±---																						
1 PLACE	±---	±---																						
ANGULAR ± 3 °																								
DESCRIPTION			DRAWN BY DATE	TITLE																				
REV			CCTEH 2008/01/30	DDR3 DIMM, 1.00MM PITCH																				
			CGTAN 2008/04/07	240 CKTS, 25 DEG, T/H																				
			APPROVED BY DATE																					
			SHLENI 2008/04/08																					
			MATERIAL NO.	MOLEX INCORPORATED																				
			SEE TABLE	DOCUMENT NO.																				
			SIZE	SD-78373-001																				
			A3																					
			THIS DRAWING CONTAINS INFORMATION THAT IS PROPRIETARY TO MOLEX INCORPORATED AND SHOULD NOT BE USED WITHOUT WRITTEN PERMISSION																					
						SHEET NO. 1 OF 5																		

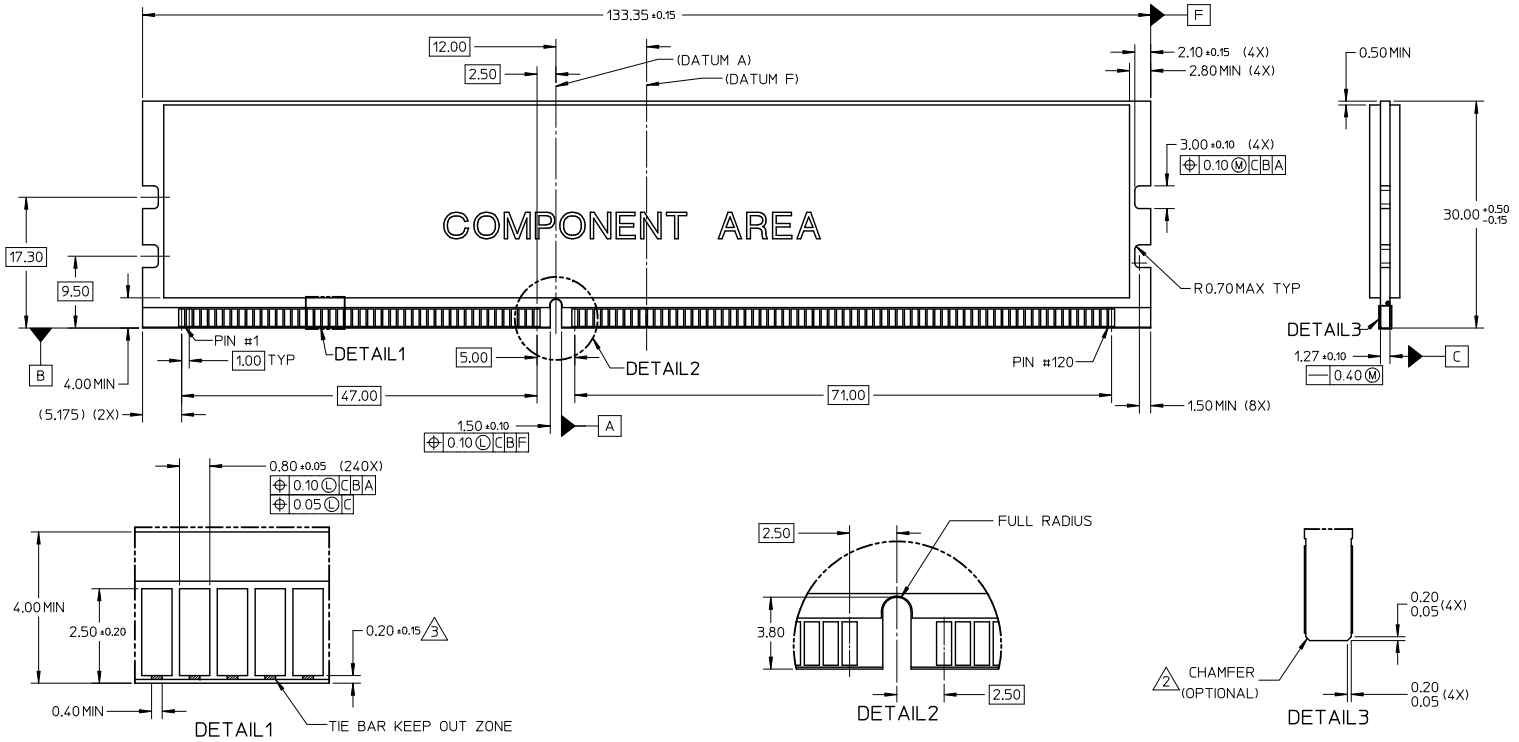


MINIMUM RECOMMENDED ROW TO ROW SPACING WHEN USING 4.00MM THICK MODULE (TYPICAL TSOP PACKAGING)

ADDED CORING EC NO: S2010-0787 DRW/CCTEH 2010/03/22 CHKD:CGTAN 2011/01/24 APPR: SHLENI 2011/01/24	QUALITY SYMBOLS	GENERAL TOLERANCES (UNLESS SPECIFIED)	DIMENSION STYLE	SCALE	DESIGN UNITS	THIRD ANGLE PROJECTION
	□=0 □=0 □=0	mm INCH 4 PLACES ± --- ± --- 3 PLACES ± --- ± --- 2 PLACES ± 0.25 ± --- 1 PLACE ± --- ± --- ANGULAR ± 3 °	MM ONLY	NTS	METRIC	
	DESCRIPTION	DRAFT WHERE APPLICABLE MUST REMAIN WITHIN DIMENSIONS	DRAWN BY DATE CCTEH 2008/01/30 CHECKED BY DATE CGTAN 2008/04/07 APPROVED BY DATE SHLENI 2008/04/08	TITLE	DDR3 DIMM, 1.00MM PITCH 240 CKTS, 25 DEG, T/H	
	REV	SIZE	MATERIAL NO.	DOCUMENT NO.	MOLEX INCORPORATED	

10 9 8 7 6 5 4 3 2 1

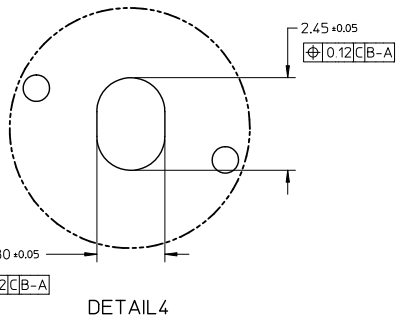
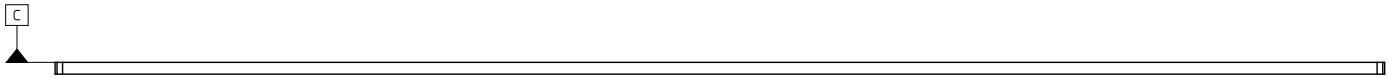
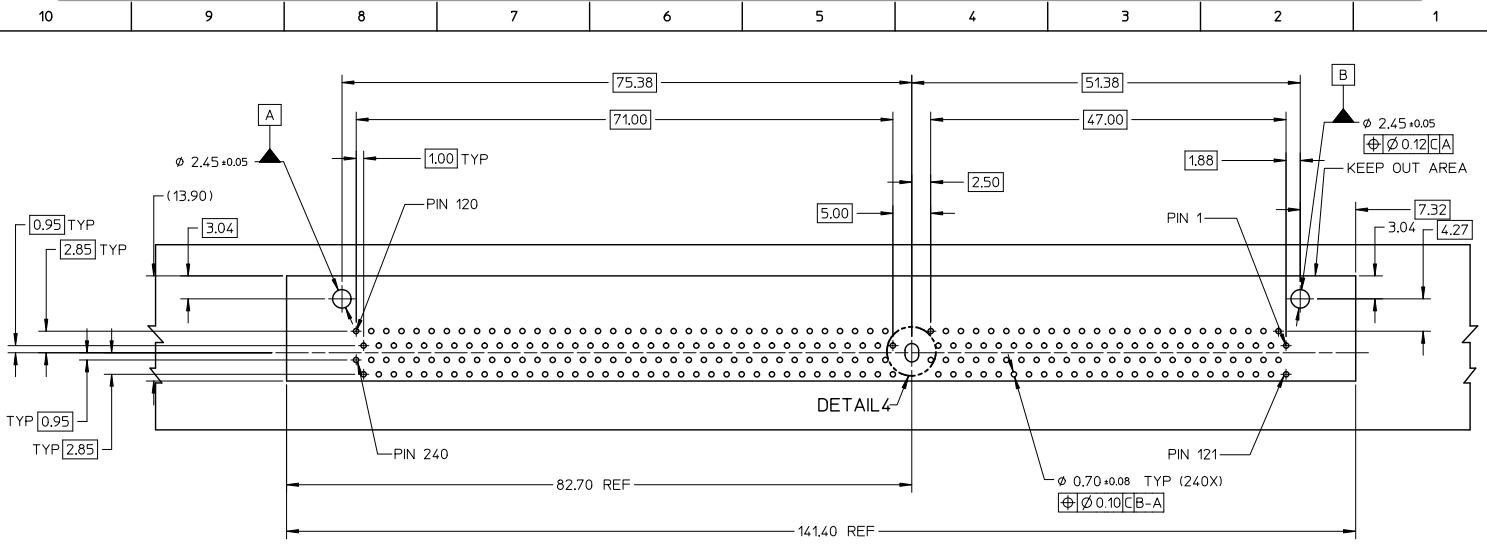
MODULE CARD  
DDR3 DUAL IN-LINE MEMORY MODULE FAMILY 1.00MM CONTACT CENTERS  
(JEDEC MO-269, ISSUE A, 12/05)



**NOTES:**  
1. RECOMMENDED PLATING FOR CONTACT PADS:  
PREFERRED: 0.76 μM GOLD PLATING MIN  
OVER 2.00 μM NICKEL  
ALTERNATIVE: 0.05-0.75 μM GOLD PLATING  
OVER 2.00 μM NICKEL MUST  
USE AN ELECTRONIC CONTACT GRADE  
CORROSIVE BARRIER LUBRICANT  
2. CHAMFER IS OPTIONAL AND IS NOT TO HIT THE GOLD PADS  
3. LEADING EDGE OF GOLD PADS SPECIFIED BY KEEP OUT ZONE  
SHALL BE FREE OF BURRS AND EXTERNAL TIE BARS

ADDED CORING EC NO: S2010-0787 DRAWN: CTEH 2010/03/27 CHKD: CGTAN 2011/01/24 APPR: SHLENI 2011/01/24	QUALITY SYMBOLS ∇=0 ∇=0 ∇=0	GENERAL TOLERANCES (UNLESS SPECIFIED) 4 PLACES ± --- ± --- 3 PLACES ± --- ± --- 2 PLACES ± 0.25 ± --- 1 PLACE ± --- ± --- ANGULAR ± 3°	DIMENSION STYLE MM ONLY DRAWN BY: CTEH DATE: 2008/01/30 CHECKED BY: CGTAN DATE: 2008/04/07 APPROVED BY: SHLENI DATE: 2008/04/08	SCALE: NTS DESIGN UNITS: METRIC THIRD ANGLE PROJECTION	TITLE: DDR3 DIMM, 1.00MM PITCH 240 CKTS, 25 DEG, T/H	MOLEX INCORPORATED DOCUMENT NO: SD-78373-001	SHEET NO: 3 OF 5
	DRAFT WHERE APPLICABLE MUST REMAIN WITHIN DIMENSIONS	SEE TABLE	THIS DRAWING CONTAINS INFORMATION THAT IS PROPRIETARY TO MOLEX INCORPORATED AND SHOULD NOT BE USED WITHOUT WRITTEN PERMISSION				

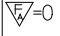
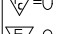

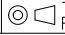
9 8 7 6 5 4 3 2 1



ADDED CORING EC NO: S2010-0787 DRAWN/CHEK: 2010/03/22 CHKD: CGTAN 2011/01/24 APPR: SHLENI 2011/01/24	QUALITY SYMBOLS	GENERAL TOLERANCES (UNLESS SPECIFIED)	DIMENSION STYLE	SCALE	DESIGN UNITS	THIRD ANGLE PROJECTION
	$\nabla = 0$ $\nabla = 0$ $\nabla = 0$	mm INCH 4 PLACES ± --- ± --- 3 PLACES ± --- ± --- 2 PLACES ± 0.25 ± --- 1 PLACE ± --- ± --- ANGULAR ± 3°	MM ONLY	NTS	METRIC	
	DESCRIPTION	DRAFT WHERE APPLICABLE MUST REMAIN WITHIN DIMENSIONS	DRAWN BY DATE	TITLE		
	REV		CCTEH 2008/01/30	DDR3 DIMM, 1.00MM PITCH 240 CKTS, 25 DEG. T/H		
		CHECKED BY DATE				
		CGTAN 2008/04/07				
		APPROVED BY DATE				
		SHLENI 2008/04/08				
		MATERIAL NO.	SEE TABLE	DOCUMENT NO.		
		SIZE	A3	SD-78373-001	SHEET NO. 4 OF 5	
		THIS DRAWING CONTAINS INFORMATION THAT IS PROPRIETARY TO MOLEX INCORPORATED AND SHOULD NOT BE USED WITHOUT WRITTEN PERMISSION				

10 9 8 7 6 5 4 3 2 1

PART NO.	VOLTAGE KEY	DIM 'P'	DIM 'Q'	RECOMMENDED PCB THICKNESS	PLATING OPTION
78373-0001	CENTER (1.5V)	2.79	3.18	1.57	0.76µM / 30 Mmch MIN GOLD ON CONTACT 2.54µM / 100 Mmch MIN PURE TIN ON SOLDER TAILS 1.27µM / 50 Mmch MIN NICKEL UNDERPLATE
78373-0011		3.18	4.83	2.36	
78373-0111		4.00	4.83	2.59	

<b>ADDED CORING</b> EC NO: S2010-0787 2010/03/22 DRAWN/CCTEH 2011/01/24 CHKD:CGTAN 2011/01/24 APPR:SHLENI 2011/01/24	QUALITY SYMBOLS  =0  =0  =0	GENERAL TOLERANCES (UNLESS SPECIFIED)		DIMENSION STYLE <b>MM ONLY</b>		SCALE NTS	DESIGN UNITS METRIC	 THIRD ANGLE PROJECTION	
			mm	INCH	DRAWN BY	DATE	TITLE DDR3 DIMM, 1.00MM PITCH 240 CKTS, 25 DEG, T/H		
		4 PLACES	±---	±---	CCTEH	2008/01/30	MOLEX INCORPORATED		
		3 PLACES	±---	±---	CHECKED BY	DATE	DOCUMENT NO. SD-78373-001		
2 PLACES	±0.25	±---	CGTAN	2008/04/07	SHEET NO. 5 OF 5				
1 PLACE	±---	±---	APPROVED BY	DATE	THIS DRAWING CONTAINS INFORMATION THAT IS PROPRIETARY TO MOLEX INCORPORATED AND SHOULD NOT BE USED WITHOUT WRITTEN PERMISSION				
DRAFT WHERE APPLICABLE MUST REMAIN WITHIN DIMENSIONS		MATERIAL NO. SEE TABLE		APPROVED BY SHLENI 2008/04/08		MOLEX INCORPORATED			

9 8 7 6 5 4 3 2 1