

Excellent Integrated System Limited

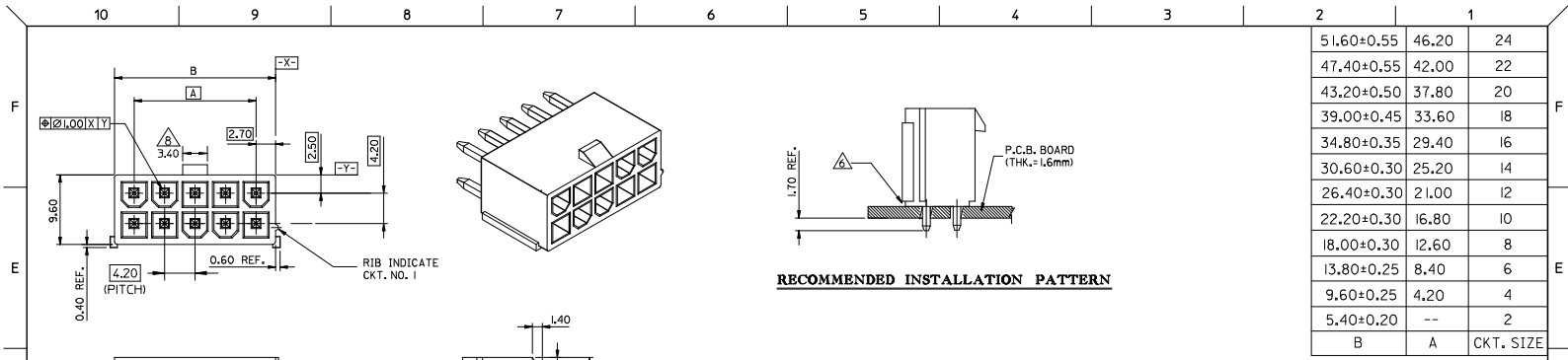
Stocking Distributor

Click to view price, real time Inventory, Delivery & Lifecycle Information:

[Molex Connector Corporation](#)
[0874272243](#)

For any questions, you can email us directly:

sales@integrated-circuit.com



5	1.60±0.55	46.20	24
4	47.40±0.55	42.00	22
3	43.20±0.50	37.80	20
2	39.00±0.45	33.60	18
1	34.80±0.35	29.40	16
	30.60±0.30	25.20	14
	26.40±0.30	21.00	12
	22.20±0.30	16.80	10
	18.00±0.30	12.60	8
	13.80±0.25	8.40	6
	9.60±0.25	4.20	4
	5.40±0.20	--	2
	B	A	CKT. SIZE

RECOMMENDED INSTALLATION PATTERN

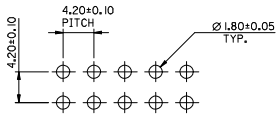
NOTES

- MATERIALS:
- HEADER: NYLON 46, UL94V-0, COLOR SEE LEGEND.
- PIN: BRASS
- FINISH- PLATING OF PIN:
△2 △.00254 MIN. MATTE TIN OVER .00127 MIN. NICKEL
△2.3 0.00076 MIN. SELECT GOLD AND 0.00254 MIN. SELECT MATTE TIN OVER 0.00127 MIN. NICKEL OVERALL
- PRODUCT SPECIFICATION: PS-87427-0001.
PACKAGING SPECIFICATION:
BULK PACK PER PK-87427-004.
TAPE & REEL PACK PER PK-36633-008 OR PK-87427-009
- MATES WITH: MINI-FIT JR. RECEPTACLE SERIES 5557.
- HOUSING STANDOFF (0.70mm REF)
- THESE PARTS CONFORM TO CLASS 'B' REQUIREMENTS OF COSMETIC SPECIFICATION PS-45499-002.
- THIS DIMENSION IS 4.2 ON 2 CKT PARTS.
- DISCOLORATION IN THE BANDOLIER CARRIER AREA OF THE PIN IS INHERENT TO THE PLATING PROCESS AND IS DUE TO THE MASKING EFFECT OF THE CARRIER. THIS DISCOLORATION IS IN A NON-FUNCTIONAL AREA OF THE PIN AND WILL NOT AFFECT THE PERFORMANCE OF THE HEADER ASSEMBLY.
- PARTS ARE NOT DESIGNED FOR CURRENT SHARING.
- CONNECTORS ARE NOT TO BE MATED AND UNMATED WHILE CIRCUITS ARE LIVE.

LEGEND

- 36633-**** SEE SHEET 2 FOR CKT SIZE, PKG. PLATING, & HSG COLOR OPTIONS.
- 87427-**** CKT. SIZE
- PLATING OPTIONS
2 = NOTE △
8 = NOTE △
- COLOR & PACKAGING
3 = BEIGE, TAPE & REEL PACKED △
4 = BEIGE, BULK PACKED △
9 = BLACK, BULK PACKED △

RECOMMENDED P.C.B. LAYOUT



OBS P/N 'S EC NO: LCP2013-1112 DRAWN BY: DRWINBEE CHKD: BELL APPR: SMITH	QUALITY SYMBOLS ▽=0 ▽=0 ▽=0	GENERAL TOLERANCES (UNLESS SPECIFIED)		DIMENSION STYLE MM ONLY		SCALE 4:1	DESIGN UNITS METRIC	THIRD ANGLE PROJECTION	
		mm	INCH	DRAWN BY SAM.C	DATE 960401	TITLE 4.2MM W-T-B VERT. HEADER W/O FLANGES MINI-FIT JR			
REV	DESCRIPTION	4 PLACES ±---	±---	CHECKED BY	DATE				
		3 PLACES ±---	±---	APPROVED BY	DATE				
		2 PLACES ±0.20	±---	FSMITH	2010/10/04	MATERIAL NO. SEE CHART	DOCUMENT NO. SD-87427-***4*	SHEET NO. 1 OF 2	
		1 PLACE ±---	±---	THIS DRAWING CONTAINS INFORMATION THAT IS PROPRIETARY TO MOLEX INCORPORATED AND SHOULD NOT BE USED WITHOUT WRITTEN PERMISSION					
		0 PLACE ±---	±---						

	10	9	8	7	6	5	4	3	2	1	
F											
E											
D											
C											
B											
A											

CONSULT FACTORY FOR AVAILABILITY

BULK PACKED		BULK PACKED		TAPE & REEL PACKED		BULK PACKED		
PLATING=TIN Δ 2A		PLATING=GOLD Δ 2A		PLATING=TIN Δ 2A		PLATING=TIN Δ 2A		
COLOR=BLACK		COLOR=BEIGE		COLOR=BEIGE		COLOR=BEIGE		
#	87427-2492	24	87427-2448	24	#	87427-2432	24	
#	87427-2292	22	87427-2248	22	#	87427-2232	22	
#	87427-2092	20	87427-2048	20	#	87427-2032	20	
#	87427-1892	18	87427-1848	18	#	87427-1832	18	
#	87427-1692	16	87427-1648	16	#	87427-1632	16	
#	87427-1492	14	87427-1448	14	#	87427-1432	14	
#	87427-1292	12	87427-1248	12	#	87427-1232	12	
#	87427-1092	10	87427-1048	10	#	87427-1032	10	
#	87427-0892	8	87427-0848	8	#	87427-0832	8	
#	87427-0692	6	87427-0648	6	#	36633-0010	6	
#	87427-0492	4	87427-0448	4	#	36633-0009	4	
#	87427-0292	2	87427-0248	2	#	36633-0008	2	
ENG. NO.	CKT. SIZE		ENG. NO.	CKT. SIZE	ENG. NO.	CKT. SIZE	ENG. NO.	CKT. SIZE

SEE SHEET 1 EC NO: UCP2013-112 DRW:BBEE CHKD:J.BELL APPR:FSMITH	QUALITY SYMBOLS $\nabla=0$ $\nabla=0$ $\nabla=0$	GENERAL TOLERANCES (UNLESS SPECIFIED)		DIMENSION STYLE		SCALE	DESIGN UNITS	THIRD ANGLE PROJECTION
				MM ONLY		2:1	METRIC	
				DRAWN BY DATE		TITLE		
				CHECKED BY DATE		4.2MM W-T-B VERT. HEADER W/O FLANGES MINI-FIT JR		
		APPROVED BY DATE		MATERIAL NO.		DOCUMENT NO.	SHEET NO.	
		2010/10/04		SEE CHART		SD-87427-***	2 OF 2	
DRAFT WHERE APPLICABLE MUST REMAIN WITHIN DIMENSIONS				THIS DRAWING CONTAINS INFORMATION THAT IS PROPRIETARY TO MOLEX INCORPORATED AND SHOULD NOT BE USED WITHOUT WRITTEN PERMISSION				