

Excellent Integrated System Limited

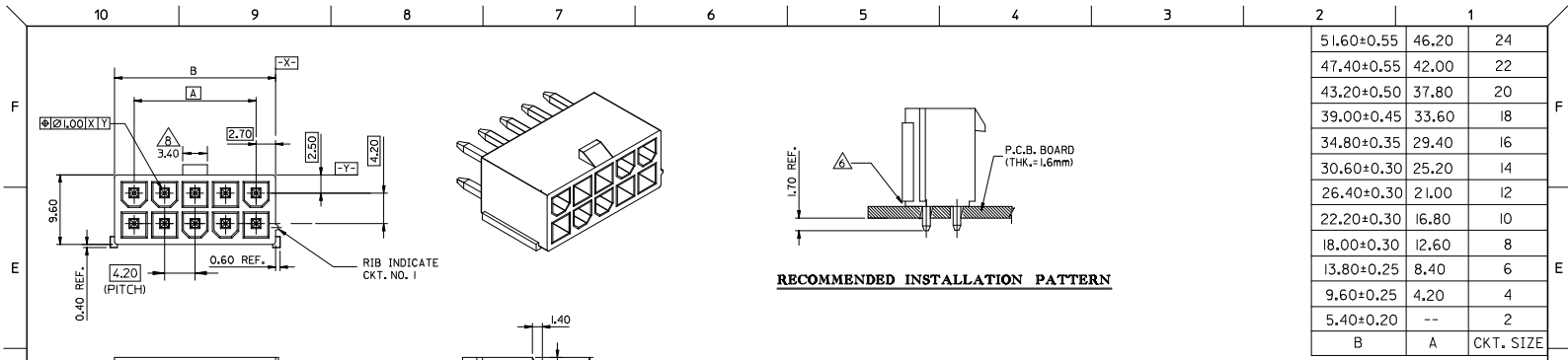
Stocking Distributor

Click to view price, real time Inventory, Delivery & Lifecycle Information:

[Molex Connector Corporation](#)
[0874272442](#)

For any questions, you can email us directly:

sales@integrated-circuit.com



5	1.60±0.55	46.20	24
4	47.40±0.55	42.00	22
3	43.20±0.50	37.80	20
2	39.00±0.45	33.60	18
1	34.80±0.35	29.40	16
	30.60±0.30	25.20	14
	26.40±0.30	21.00	12
	22.20±0.30	16.80	10
	18.00±0.30	12.60	8
	13.80±0.25	8.40	6
	9.60±0.25	4.20	4
	5.40±0.20	--	2
	B	A	CKT. SIZE

RECOMMENDED INSTALLATION PATTERN

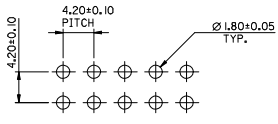
NOTES

- MATERIALS:
- HEADER: NYLON 46, UL94V-0, COLOR SEE LEGEND.
- PIN: BRASS
- FINISH- PLATING OF PIN:
△2 △.00254 MIN. MATTE TIN OVER .00127 MIN. NICKEL
△2.3 0.00076 MIN. SELECT GOLD AND 0.00254 MIN.SELECT MATTE TIN OVER 0.00127 MIN. NICKEL OVERALL
- PRODUCT SPECIFICATION: PS-87427-0001.
PACKAGING SPECIFICATION :
BULK PACK PER PK-87427-004.
TAPE & REEL PACK PER PK-36633-008 OR PK-87427-009
- MATES WITH: MINI-FIT JR. RECEPTACLE SERIES 5557.
- HOUSING STANDOFF (0.70mm REF)
- THESE PARTS CONFORM TO CLASS 'B' REQUIREMENTS OF COSMETIC SPECIFICATION PS-45499-002.
- THIS DIMENSION IS 4.2 ON 2 CKT PARTS.
- DISCOLORATION IN THE BANDOLIER CARRIER AREA OF THE PIN IS INHERENT TO THE PLATING PROCESS AND IS DUE TO THE MASKING EFFECT OF THE CARRIER. THIS DISCOLORATION IS IN A NON-FUNCTIONAL AREA OF THE PIN AND WILL NOT AFFECT THE PERFORMANCE OF THE HEADER ASSEMBLY.
- PARTS ARE NOT DESIGNED FOR CURRENT SHARING.
- CONNECTORS ARE NOT TO BE MATED AND UNMATED WHILE CIRCUITS ARE LIVE.

LEGEND

- 36633-**** SEE SHEET 2 FOR CKT SIZE, PKG. PLATING, & HSG COLOR OPTIONS.
- 87427-**** CKT. SIZE
- PLATING OPTIONS
2 = NOTE △
8 = NOTE △
- COLOR & PACKAGING
3 = BEIGE, TAPE & REEL PACKED △
4 = BEIGE, BULK PACKED △
9 = BLACK, BULK PACKED △

RECOMMENDED P.C.B. LAYOUT



OBS P/N 'S EC. NO.: LCP2013-1112 DRAWN BY: DRWINBEE CHKD: BELL APPR: SMITH	QUALITY SYMBOLS ▽=0 ▽=0 ▽=0	GENERAL TOLERANCES (UNLESS SPECIFIED)		DIMENSION STYLE MM ONLY		SCALE 4:1	DESIGN UNITS METRIC	THIRD ANGLE PROJECTION	
		mm	INCH	DRAWN BY SAM.C	DATE 960401	TITLE 4.2MM W-T-B VERT. HEADER W/O FLANGES MINI-FIT JR			
REV	DESCRIPTION	4 PLACES ±---	±---	CHECKED BY	DATE	DOCUMENT NO. SD-87427-***4*			
		3 PLACES ±---	±---	APPROVED BY	DATE				
		2 PLACES ±0.20	±---	FSMITH	2010/10/04	SHEET NO. 1 OF 2			
		1 PLACE ±---	±---	MATERIAL NO. SEE CHART		THIS DRAWING CONTAINS INFORMATION THAT IS PROPRIETARY TO MOLEX INCORPORATED AND SHOULD NOT BE USED WITHOUT WRITTEN PERMISSION			
		0 PLACE ±---	±---	SIZE B					

	10	9	8	7	6	5	4	3	2	1																																																																																																																																	
F	 CKT.SIZE 14		 CKT.SIZE 12																																																																																																																																								
E	 CKT.SIZE 16		 CKT.SIZE 10		<p>*#* CONSULT FACTORY FOR AVAILABILITY</p> <table border="1"> <tr> <th colspan="2">BULK PACKED</th> <th colspan="2">BULK PACKED</th> <th colspan="2">TAPE & REEL PACKED</th> <th colspan="2">BULK PACKED</th> </tr> <tr> <td colspan="2">PLATING=TINΔ</td> <td colspan="2">PLATING=GOLDΔ</td> <td colspan="2">PLATING=TINΔ</td> <td colspan="2">PLATING=TINΔ</td> </tr> <tr> <td colspan="2">COLOR=BLACK</td> <td colspan="2">COLOR=BEIGE</td> <td colspan="2">COLOR=BEIGE</td> <td colspan="2">COLOR=BEIGE</td> </tr> <tr> <td>#</td> <td>87427-2492</td> <td>24</td> <td>87427-2448</td> <td>24</td> <td>#</td> <td>87427-2432</td> <td>24</td> </tr> <tr> <td>#</td> <td>87427-2292</td> <td>22</td> <td>87427-2248</td> <td>22</td> <td>#</td> <td>87427-2232</td> <td>22</td> </tr> <tr> <td>#</td> <td>87427-2092</td> <td>20</td> <td>87427-2048</td> <td>20</td> <td>#</td> <td>87427-2032</td> <td>20</td> </tr> <tr> <td>#</td> <td>87427-1892</td> <td>18</td> <td>87427-1848</td> <td>18</td> <td>#</td> <td>87427-1832</td> <td>18</td> </tr> <tr> <td>#</td> <td>87427-1692</td> <td>16</td> <td>87427-1648</td> <td>16</td> <td>#</td> <td>87427-1632</td> <td>16</td> </tr> <tr> <td>#</td> <td>87427-1492</td> <td>14</td> <td>87427-1448</td> <td>14</td> <td>#</td> <td>87427-1432</td> <td>14</td> </tr> <tr> <td>#</td> <td>87427-1292</td> <td>12</td> <td>87427-1248</td> <td>12</td> <td>#</td> <td>87427-1232</td> <td>12</td> </tr> <tr> <td>#</td> <td>87427-1092</td> <td>10</td> <td>87427-1048</td> <td>10</td> <td>#</td> <td>87427-1032</td> <td>10</td> </tr> <tr> <td>#</td> <td>87427-0892</td> <td>8</td> <td>87427-0848</td> <td>8</td> <td>#</td> <td>87427-0832</td> <td>8</td> </tr> <tr> <td>#</td> <td>87427-0692</td> <td>6</td> <td>87427-0648</td> <td>6</td> <td>#</td> <td>36633-0010</td> <td>6</td> </tr> <tr> <td>#</td> <td>87427-0492</td> <td>4</td> <td>87427-0448</td> <td>4</td> <td>#</td> <td>36633-0009</td> <td>4</td> </tr> <tr> <td>#</td> <td>87427-0292</td> <td>2</td> <td>87427-0248</td> <td>2</td> <td>#</td> <td>36633-0008</td> <td>2</td> </tr> <tr> <td></td> <td>ENG. NO.</td> <td>CKT. SIZE</td> <td>ENG. NO.</td> <td>CKT. SIZE</td> <td>ENG. NO.</td> <td>CKT. SIZE</td> <td>ENG. NO.</td> <td>CKT. SIZE</td> </tr> </table>						BULK PACKED		BULK PACKED		TAPE & REEL PACKED		BULK PACKED		PLATING=TIN Δ		PLATING=GOLD Δ		PLATING=TIN Δ		PLATING=TIN Δ		COLOR=BLACK		COLOR=BEIGE		COLOR=BEIGE		COLOR=BEIGE		#	87427-2492	24	87427-2448	24	#	87427-2432	24	#	87427-2292	22	87427-2248	22	#	87427-2232	22	#	87427-2092	20	87427-2048	20	#	87427-2032	20	#	87427-1892	18	87427-1848	18	#	87427-1832	18	#	87427-1692	16	87427-1648	16	#	87427-1632	16	#	87427-1492	14	87427-1448	14	#	87427-1432	14	#	87427-1292	12	87427-1248	12	#	87427-1232	12	#	87427-1092	10	87427-1048	10	#	87427-1032	10	#	87427-0892	8	87427-0848	8	#	87427-0832	8	#	87427-0692	6	87427-0648	6	#	36633-0010	6	#	87427-0492	4	87427-0448	4	#	36633-0009	4	#	87427-0292	2	87427-0248	2	#	36633-0008	2		ENG. NO.	CKT. SIZE	ENG. NO.	CKT. SIZE	ENG. NO.	CKT. SIZE	ENG. NO.	CKT. SIZE
BULK PACKED		BULK PACKED		TAPE & REEL PACKED							BULK PACKED																																																																																																																																
PLATING=TIN Δ		PLATING=GOLD Δ		PLATING=TIN Δ		PLATING=TIN Δ																																																																																																																																					
COLOR=BLACK		COLOR=BEIGE		COLOR=BEIGE		COLOR=BEIGE																																																																																																																																					
#	87427-2492	24	87427-2448	24	#	87427-2432	24																																																																																																																																				
#	87427-2292	22	87427-2248	22	#	87427-2232	22																																																																																																																																				
#	87427-2092	20	87427-2048	20	#	87427-2032	20																																																																																																																																				
#	87427-1892	18	87427-1848	18	#	87427-1832	18																																																																																																																																				
#	87427-1692	16	87427-1648	16	#	87427-1632	16																																																																																																																																				
#	87427-1492	14	87427-1448	14	#	87427-1432	14																																																																																																																																				
#	87427-1292	12	87427-1248	12	#	87427-1232	12																																																																																																																																				
#	87427-1092	10	87427-1048	10	#	87427-1032	10																																																																																																																																				
#	87427-0892	8	87427-0848	8	#	87427-0832	8																																																																																																																																				
#	87427-0692	6	87427-0648	6	#	36633-0010	6																																																																																																																																				
#	87427-0492	4	87427-0448	4	#	36633-0009	4																																																																																																																																				
#	87427-0292	2	87427-0248	2	#	36633-0008	2																																																																																																																																				
	ENG. NO.	CKT. SIZE	ENG. NO.	CKT. SIZE	ENG. NO.	CKT. SIZE	ENG. NO.	CKT. SIZE																																																																																																																																			
D	 CKT.SIZE 18		 CKT.SIZE 8																																																																																																																																								
C	 CKT.SIZE 20		 CKT.SIZE 6																																																																																																																																								
B	 CKT.SIZE 22		 CKT.SIZE 4																																																																																																																																								
A	 CKT.SIZE 24		 CKT.SIZE 2																																																																																																																																								
					<table border="1"> <tr> <th colspan="2">GENERAL TOLERANCES (UNLESS SPECIFIED)</th> <th colspan="2">DIMENSION STYLE</th> <th>SCALE</th> <th>DESIGN UNITS</th> <th colspan="2">THIRD ANGLE PROJECTION</th> </tr> <tr> <td></td> <td></td> <td colspan="2">MM ONLY</td> <td>2:1</td> <td>METRIC</td> <td colspan="2"></td> </tr> <tr> <td>4 PLACES</td> <td>\pm----</td> <td>mm</td> <td>INCH</td> <td colspan="2"></td> <td colspan="2">4.2MM W-T-B</td> </tr> <tr> <td>3 PLACES</td> <td>\pm----</td> <td colspan="2"></td> <td colspan="2"></td> <td colspan="2">VERT. HEADER W/O FLANGES</td> </tr> <tr> <td>2 PLACES</td> <td>\pm0.20</td> <td colspan="2"></td> <td colspan="2"></td> <td colspan="2">MINI-FIT JR</td> </tr> <tr> <td>1 PLACE</td> <td>\pm----</td> <td colspan="2"></td> <td colspan="2"></td> <td colspan="2">molex</td> </tr> <tr> <td>0 PLACE</td> <td>\pm----</td> <td colspan="2"></td> <td colspan="2"></td> <td colspan="2">DOCUMENT NO. SD-87427-***</td> </tr> <tr> <td colspan="2">ANGULAR \pm----</td> <td colspan="2"></td> <td colspan="2"></td> <td colspan="2">SHEET NO. 2 OF 2</td> </tr> <tr> <td colspan="2">DRAFT WHERE APPLICABLE MUST REMAIN WITHIN DIMENSIONS</td> <td colspan="2"></td> <td colspan="2"></td> <td colspan="2">THIS DRAWING CONTAINS INFORMATION THAT IS PROPRIETARY TO MOLEX INCORPORATED AND SHOULD NOT BE USED WITHOUT WRITTEN PERMISSION</td> </tr> </table>		GENERAL TOLERANCES (UNLESS SPECIFIED)		DIMENSION STYLE		SCALE	DESIGN UNITS	THIRD ANGLE PROJECTION				MM ONLY		2:1	METRIC			4 PLACES	\pm ----	mm	INCH			4.2MM W-T-B		3 PLACES	\pm ----					VERT. HEADER W/O FLANGES		2 PLACES	\pm 0.20					MINI-FIT JR		1 PLACE	\pm ----					molex		0 PLACE	\pm ----					DOCUMENT NO. SD-87427-***		ANGULAR \pm ----						SHEET NO. 2 OF 2		DRAFT WHERE APPLICABLE MUST REMAIN WITHIN DIMENSIONS						THIS DRAWING CONTAINS INFORMATION THAT IS PROPRIETARY TO MOLEX INCORPORATED AND SHOULD NOT BE USED WITHOUT WRITTEN PERMISSION																																																														
GENERAL TOLERANCES (UNLESS SPECIFIED)		DIMENSION STYLE		SCALE	DESIGN UNITS	THIRD ANGLE PROJECTION																																																																																																																																					
		MM ONLY		2:1	METRIC																																																																																																																																						
4 PLACES	\pm ----	mm	INCH			4.2MM W-T-B																																																																																																																																					
3 PLACES	\pm ----					VERT. HEADER W/O FLANGES																																																																																																																																					
2 PLACES	\pm 0.20					MINI-FIT JR																																																																																																																																					
1 PLACE	\pm ----					molex																																																																																																																																					
0 PLACE	\pm ----					DOCUMENT NO. SD-87427-***																																																																																																																																					
ANGULAR \pm ----						SHEET NO. 2 OF 2																																																																																																																																					
DRAFT WHERE APPLICABLE MUST REMAIN WITHIN DIMENSIONS						THIS DRAWING CONTAINS INFORMATION THAT IS PROPRIETARY TO MOLEX INCORPORATED AND SHOULD NOT BE USED WITHOUT WRITTEN PERMISSION																																																																																																																																					