

## Excellent Integrated System Limited

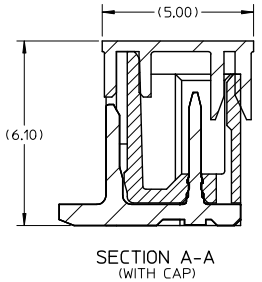
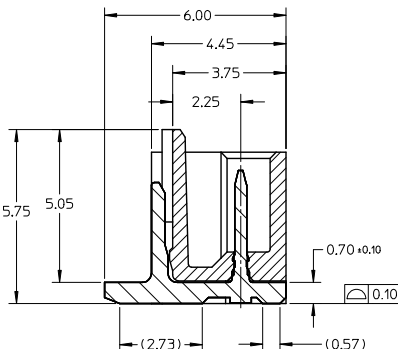
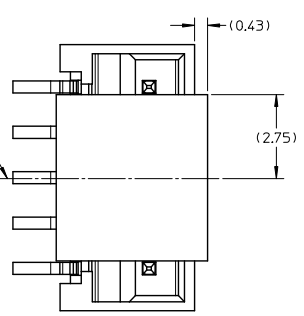
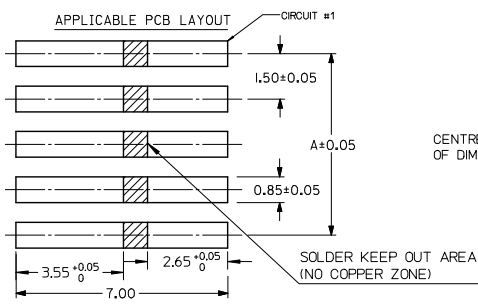
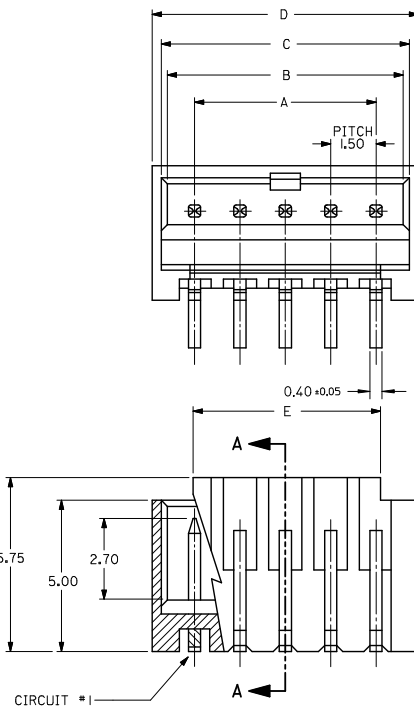
Stocking Distributor

Click to view price, real time Inventory, Delivery & Lifecycle Information:

[Molex Connector Corporation](#)  
[0874371473](#)

For any questions, you can email us directly:  
[sales@integrated-circuit.com](mailto:sales@integrated-circuit.com)

10 9 8 7 6 5 4 3 2 1

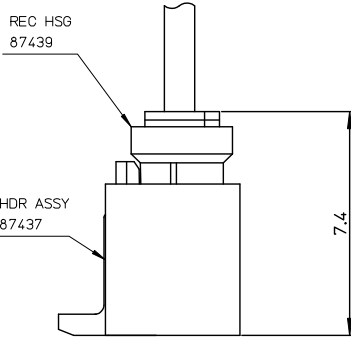
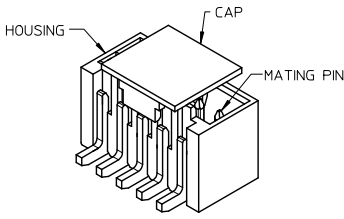


- NOTES:
1. MATERIAL:  
HOUSING: NYLON, GLASS FILLED, UL94 V-0,  
COLOR - SEE TABLE.  
CAP: NYLON, GLASS FILLED, UL94V-0  
COLOR: BEIGE.  
PINS: BRASS ALLOY, C26000, P/N87437-8083.
  2. PLATING: 2.54µM. MIN. TIN OVER 1.27µM MIN. NICKEL.
  3. DRAWING SHOWS PLUG WITH 5 CIRCUITS.
  4. HEADER TO BE USED WITH CRIMP HOUSING, P/N 87439 AND CRIMP TERMINAL, P/N 87421.
  5. PARTS TO BE PACKED IN MOISTURE BAG.
  6. THIS DRAWING IS RE-DRAWING OF SD-87437-\*\*\*31.

REVISED EC NO: J2014-0799 DRAWN BY: CHIKAKASAKAWA CHECKED BY: APPR: NUKITA	GENERAL TOLERANCES (UNLESS SPECIFIED)		DIMENSION STYLE MM ONLY		SCALE 8:1	DESIGN UNITS METRIC	THIRD ANGLE PROJECTION
	10 UNDER	± 0.20	DRAWN BY	DATE	TITLE 150MM PITCH, W-T-B HEADER, VERTICAL, SMT  <b>molex</b> DOCUMENT NO. SD-87437-001 SHEET NO. 1 OF 4		
	10 OVER 30 UNDER	± 0.20	CHECKED BY	DATE			
	30 OVER	± 0.20	APPROVED BY	DATE			
	ANGULAR ± 3 °	MATERIAL NO.					
DRAFT WHERE APPLICABLE MUST REMAIN WITHIN DIMENSIONS		SEE TABLE					
THIS DRAWING CONTAINS INFORMATION THAT IS PROPRIETARY TO MOLEX INCORPORATED AND SHOULD NOT BE USED WITHOUT WRITTEN PERMISSION							

9 8 7 6 5 4 3 2 1

10 9 8 7 6 5 4 3 2 1

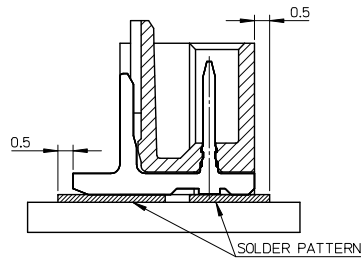


嵌合状態図  
MATED CONNECTORS

PART NUMBER ASSIGNMENT

87437-XXXX

- 2- TUBE PACKAGING
- 3- TAPE AND REEL PACKAGING
- 4- BEIGE COLOR HSG } WITHOUT CAP
- 5- BLACK COLOR HSG }
- 6- BLACK COLOR HSG } WITH CAP
- 7- BEIGE COLOR HSG }
- 02 TO 15 CIRCUIT SIZE



MOUNTING POSITION OF THE CONNECTOR

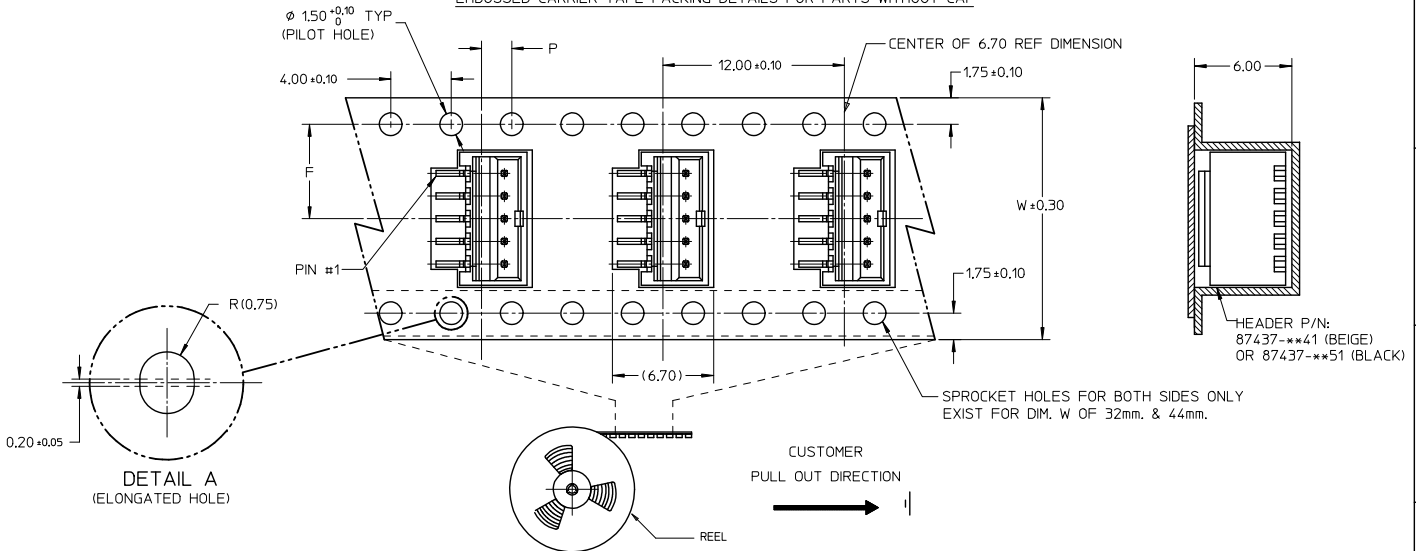
CIRCUIT SIZE	A	B	C	D	E
02	1.50	3.30	3.70	4.30	1.70
03	3.00	4.80	5.20	5.80	3.20
04	4.50	6.30	6.70	7.30	4.70
05	6.00	7.80	8.20	8.80	6.20
06	7.50	9.30	9.70	10.30	7.70
07	9.00	10.80	11.20	11.80	9.20
08	10.50	12.30	12.70	13.30	10.70
09	12.00	13.80	14.20	14.80	12.20
10	13.50	15.30	15.70	16.30	13.70
11	15.00	16.80	17.20	17.80	15.20
12	16.50	18.30	18.70	19.30	16.70
13	18.00	19.80	20.20	20.80	18.20
14	19.50	21.30	21.70	22.30	19.70
15	21.00	22.80	23.20	23.80	21.20

REVISED EC NO: J2014-0799 T: DRW:RHORI 2013/11/06 CHK:KASAKAWA 2013/11/07 APPR:NUKITA 2013/11/08	GENERAL TOLERANCES (UNLESS SPECIFIED)		DIMENSION STYLE	SCALE	DESIGN UNITS	THIRD ANGLE PROJECTION
			MM ONLY	8:1	METRIC	
	10 UNDER	± 0.20	DRAWN BY	DATE	TITLE 1.50MM PITCH, W-T-B HEADER, VERTICAL, SMT  <b>molex</b>	
	10 OVER 30 UNDER	± 0.20	TYAJIMA01	2013/09/19		
30 OVER	± 0.20	CHECKED BY	DATE			
		APPROVED BY	DATE	MATERIAL NO. SEE TABLE		
ANGULAR ±3 °		DRAFT WHERE APPLICABLE MUST REMAIN WITHIN DIMENSIONS		DOCUMENT NO.	SD-87437-001 SHEET NO. 2 OF 4	
				SIZE A3 THIS DRAWING CONTAINS INFORMATION THAT IS PROPRIETARY TO MOLEX INCORPORATED AND SHOULD NOT BE USED WITHOUT WRITTEN PERMISSION		

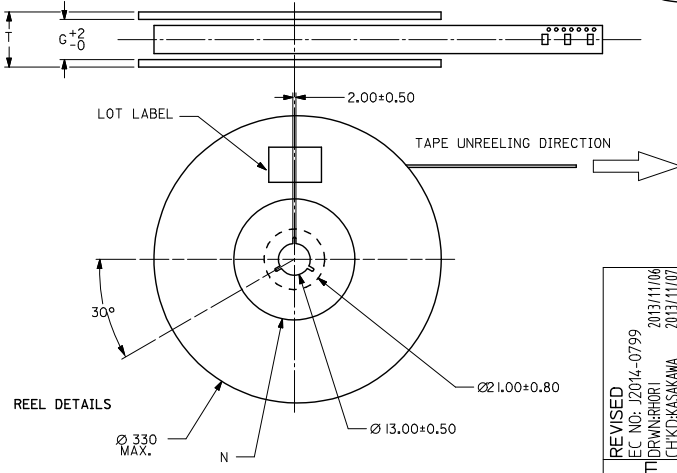
9 8 7 6 5 4 3 2 1

10 9 8 7 6 5 4 3 2 1

EMBOSSED CARRIER TAPE PACKING DETAILS FOR PARTS WITHOUT CAP



DETAIL A  
(ELONGATED HOLE)

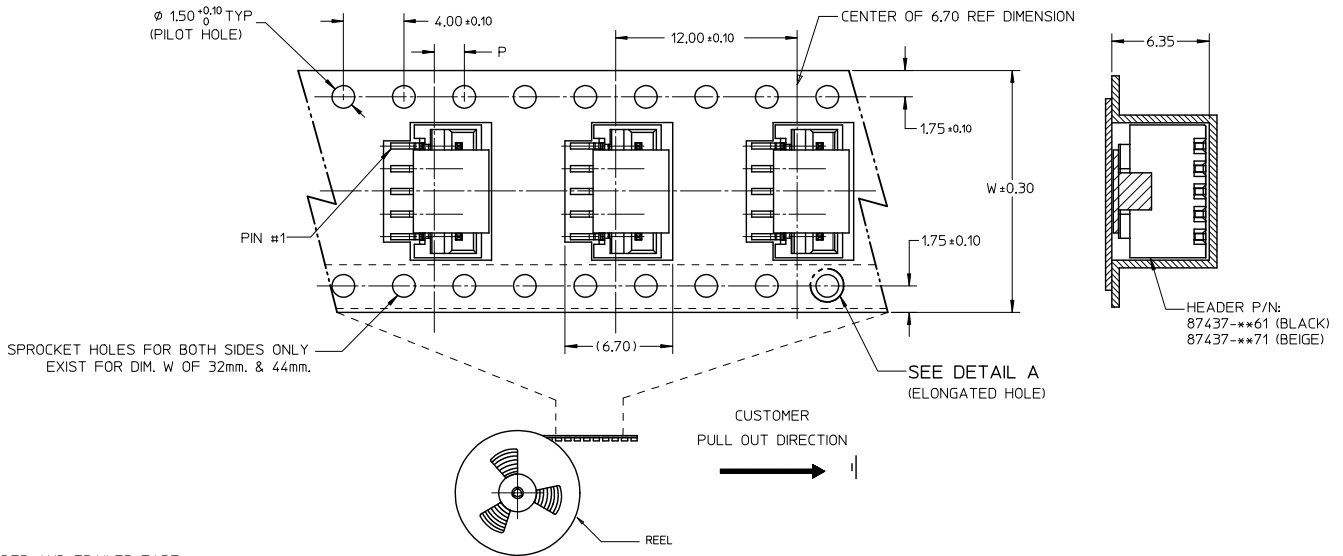


REVISED IEC NO. J2014-0799 DRAWN BY: CHIKIDAKASAKAWA CHECKED BY: CHIKIDAKASAKAWA APPROVED BY: NUKITA DATE: 2013/11/06 DATE: 2013/11/07 DATE: 2013/11/08	GENERAL TOLERANCES (UNLESS SPECIFIED)		DIMENSION STYLE MM ONLY		SCALE 8:1	DESIGN UNITS METRIC	THIRD ANGLE PROJECTION
	10 UNDER	± 0.20	DRAWN BY	DATE	TITLE		
	10 OVER	30 UNDER	TYAJIMA01	2013/09/19	1.50MM PITCH, W-T-B HEADER, VERTICAL, SMT		
	30 OVER	± 0.20	KASAKAWA	2013/09/20	molex		
ANGULAR	± 3 °	APPROVED BY	DATE	MATERIAL NO.	DOCUMENT NO.	SHEET NO.	
DRAFT WHERE APPLICABLE MUST REMAIN WITHIN DIMENSIONS		NUKITA	2013/09/25	SEE TABLE	SD-87437-001	3 OF 4	
SIZE: A3 THIS DRAWING CONTAINS INFORMATION THAT IS PROPRIETARY TO MOLEX INCORPORATED AND SHOULD NOT BE USED WITHOUT WRITTEN PERMISSION							

9 8 7 6 5 4 3 2 1

10 9 8 7 6 5 4 3 2 1

EMBOSSED CARRIER TAPE PACKING DETAILS FOR PARTS WITH CAP



- NOTES:
- LEADER AND TRAILER TAPE
  - PEELING OFF FORCE OF THE TOP TAPE: 20-80gf.  
 (PEELING DIRECTION AS SHOWN IN FOLLOWING FIGURE)
  - THE TAPE IS TREATED FOR ANTI-STATIC.
  - PACKAGING STANDARD IS AS PER EIA-481.
  - TAPE & REEL QUANTITY = 1000PCS/REEL (WITHOUT CAP)  
 TAPE & REEL QUANTITY = 900PCS/REEL (WITH CAP)

15	44	20.20±0.15	100	44.40	50.40	2.00±0.15
11, 12, 13, 14	32	14.20±0.10	100	32.40	38.40	2.00±0.10
7, 8, 9, 10	24	11.50±0.10	100	24.40	30.40	2.00±0.10
2, 3, 4, 5, 6	16	7.50±0.10	100	16.40	22.40	2.00±0.10

REVISED EC NO. J2014-0799 TIDRNRHORI 2013/11/06 CHIKO KASAKAWA 2013/11/07 APPROXUKITA 2013/11/08 DESCRIPTION REV	GENERAL TOLERANCES (UNLESS SPECIFIED)		DIMENSION STYLE MM ONLY		SCALE 8:1	DESIGN UNITS METRIC	THIRD ANGLE PROJECTION
	10 UNDER	± 0.20	DRAWN BY TYAJIMA01	DATE 2013/09/19	TITLE 1.50MM PITCH, W-T-B HEADER, VERTICAL, SMT		
	10 OVER 30 UNDER	± 0.20	CHECKED BY KASAKAWA	DATE 2013/09/20	APPROVED BY NUKITA		
	30 OVER	± 0.20	DATE 2013/09/25	MATERIAL NO. SEE TABLE			
ANGULAR ±3°		DRAFT WHERE APPLICABLE MUST REMAIN WITHIN DIMENSIONS		DOCUMENT NO. SD-87437-001		SHEET NO. 4 OF 4	
SIZE A3 THIS DRAWING CONTAINS INFORMATION THAT IS PROPRIETARY TO MOLEX INCORPORATED AND SHOULD NOT BE USED WITHOUT WRITTEN PERMISSION							

9 8 7 6 5 4 3 2 1