

Excellent Integrated System Limited

Stocking Distributor

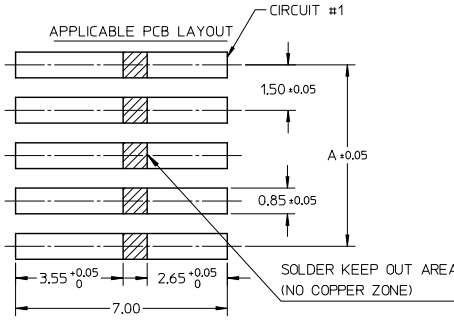
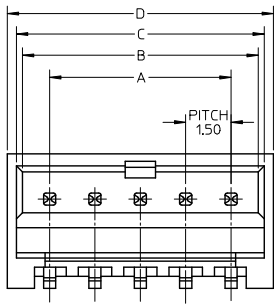
Click to view price, real time Inventory, Delivery & Lifecycle Information:

[Molex Connector Corporation](#)
[0874380338](#)

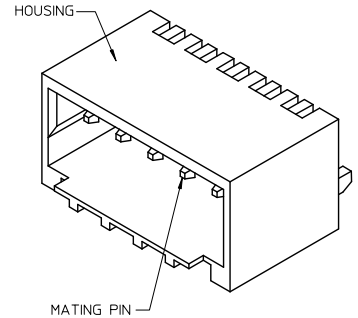
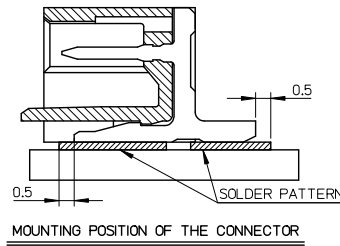
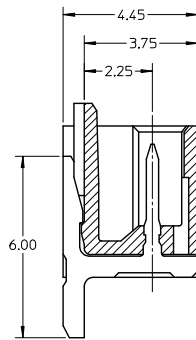
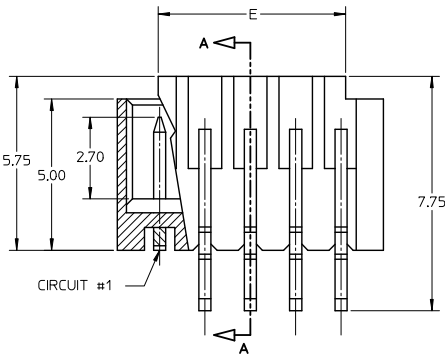
For any questions, you can email us directly:

sales@integrated-circuit.com

10	9	8	7	6	5	4	3	2	1
----	---	---	---	---	---	---	---	---	---



CIRCUIT SIZE	HEADER IN TAPE PACKING	HEADER IN TAPE & REEL	A	B	C	D	E
2	87438-0237	87438-0238	1.50	3.30	3.70	4.30	1.70
3	87438-0337	87438-0338	3.00	4.80	5.20	5.80	3.20
4	87438-0437	87438-0438	4.50	6.30	6.70	7.30	4.70
5	87438-0537	87438-0538	6.00	7.80	8.20	8.80	6.20
6	87438-0637	87438-0638	7.50	9.30	9.70	10.30	7.70
7	87438-0737	87438-0738	9.00	10.80	11.20	11.80	9.20
8	87438-0837	87438-0838	10.50	12.30	12.70	13.30	10.70
9	87438-0937	87438-0938	12.00	13.80	14.20	14.80	12.20
10	87438-1037	87438-1038	13.50	15.30	15.70	16.30	13.70
11	87438-1137	87438-1138	15.00	16.80	17.20	17.80	15.20
12	87438-1237	87438-1238	16.50	18.30	18.70	19.30	16.70
13	87438-1337	87438-1338	18.00	19.80	20.20	20.80	18.20
14	87438-1437	87438-1438	19.50	21.30	21.70	22.30	19.70
15	87438-1537	87438-1538	21.00	22.80	23.20	23.80	21.20

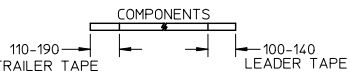


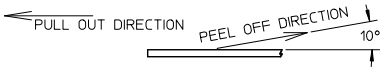
- NOTES:
- MATERIAL:
HOUSING: GLASS-FILLED NYLON 46, UL RATED 94V-0, COLOR: BEIGE.
PINS: BRASS ALLOY, C26000
 - PLATING: 0.38μM MIN. GOLD OVER 1.27μM MIN. NICKEL.
 - DRAWING SHOWS PLUG WITH 5 CIRCUITS.
 - HEADER TO BE USED WITH CRIMP HOUSING, P/N 87439 AND CRIMP TERMINAL, P/N 87421.
 - PARTS TO BE PACKED IN MOISTURE BARRIER BAG.
 - THIS DRAWING IS RE-DRAWING OF SD-87438-***36.

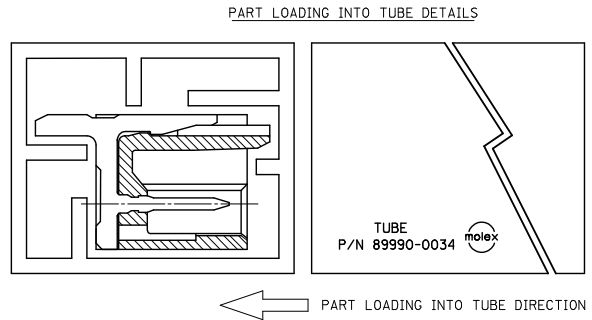
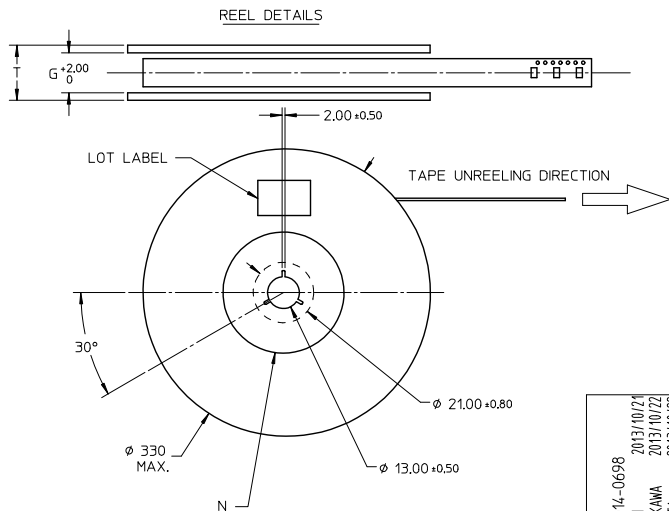
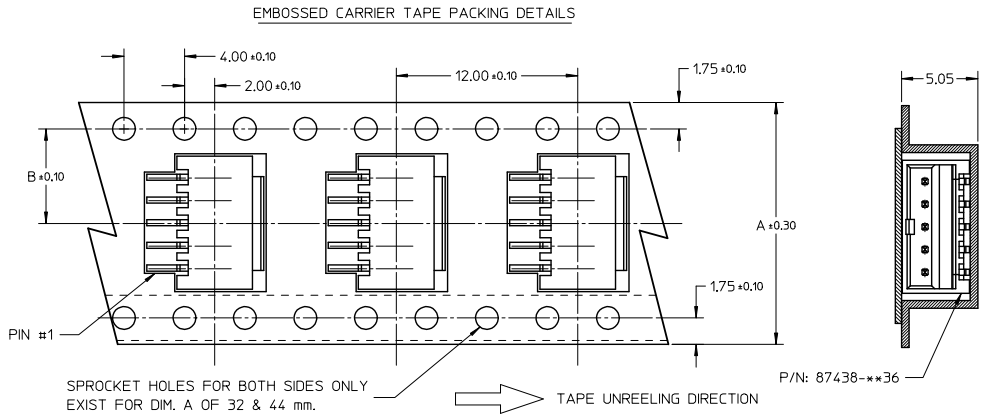
REVISED EC NO: J2014-0698 DRAWN BY: CHIKO-SAKAWA APPROVED BY: NUKITA 2013/10/21 2013/10/22 2013/10/22	GENERAL TOLERANCES (UNLESS SPECIFIED)		DIMENSION STYLE MM ONLY		SCALE NTS	DESIGN UNITS METRIC	THIRD ANGLE PROJECTION
	10 UNDER	± 0.20	DRAWN BY KCLING	DATE 1994/11/18	TITLE 1.50MM PITCH, W-T-B HEADER, R/A, SMT DOCUMENT NO. SD-87438-002 SHEET NO. 1 OF 2		
	10 OVER 30 UNDER	± 0.20	CHECKED BY SKTOH	DATE 1994/12/09			
	30 OVER	± 0.20	APPROVED BY NUKITA	DATE 2013/10/22			
ANGULAR ±3°		MATERIAL NO.		SEE TABLE			
DRAFT WHERE APPLICABLE MUST REMAIN WITHIN DIMENSIONS		SIZE A3		THIS DRAWING CONTAINS INFORMATION THAT IS PROPRIETARY TO MOLEX INCORPORATED AND SHOULD NOT BE USED WITHOUT WRITTEN PERMISSION			

10	9	8	7	6	5	4	3	2	1
----	---	---	---	---	---	---	---	---	---

10	9			8		7	6	5	4	3	2	1
15	44	20.20	100	44.40	50.40							
11, 12, 13, 14	32	14.20	100	32.40	38.40							
7, 8, 9, 10	24	11.50	100	24.40	30.40							
2, 3, 4, 5, 6	16	7.50	100	16.40	22.40							
CIRCUIT SIZE	A	B	N	G	T MAX							

NOTES:
1. LEADER AND TRAILER TAPE:


2. PACKING QUANTITY IS 1000 PIECES/REEL.
 3. THE TAPE IS TREATED FOR ANTI-ESD.
 4. PEELING OFF FORCE OF TOP TAPE IS 60 gf MAX. AND PEELING DIRECTION & ANGLE IS AS SHOWN.




REVISED EC NO. J2014-0698 DRAWN BY CHIKO-SAKAWA APPR. NUKITA	2013/10/24	2013/10/22	2013/10/22	GENERAL TOLERANCES (UNLESS SPECIFIED)	DIMENSION STYLE		SCALE	DESIGN UNITS	THIRD ANGLE PROJECTION
	DESCRIPTION				MM ONLY	NTS	METRIC		
		10 UNDER	± 0.20		DRAWN BY KLLING	DATE 1994/11/18	TITLE	1.50MM PITCH, W-T-B HEADER, R/A, SMT	
		10 OVER 30 UNDER	± 0.20		CHECKED BY SKTOH	DATE 1994/12/09			
	30 OVER	± 0.20	APPROVED BY NUKITA	DATE 2013/10/22					
	ANGULAR	± 3 °	MATERIAL NO. SEE TABLE		DOCUMENT NO. SD-87438-002	SHEET NO. 2 OF 2			
	DRAFT WHERE APPLICABLE MUST REMAIN WITHIN DIMENSIONS			SIZE A3	THIS DRAWING CONTAINS INFORMATION THAT IS PROPRIETARY TO MOLEX INCORPORATED AND SHOULD NOT BE USED WITHOUT WRITTEN PERMISSION				