

Excellent Integrated System Limited

Stocking Distributor

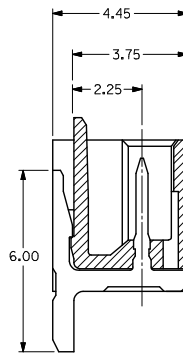
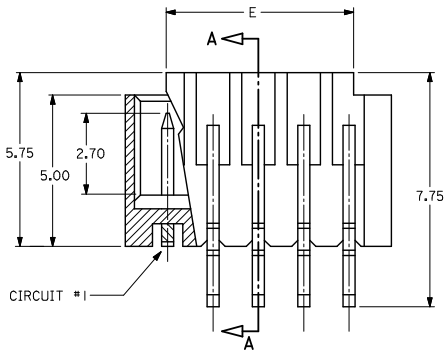
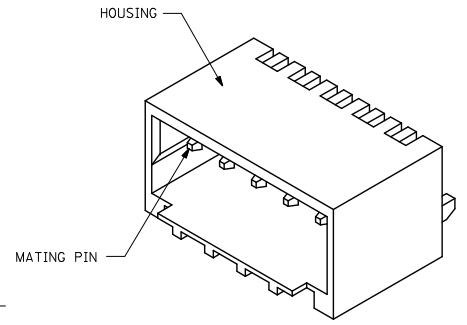
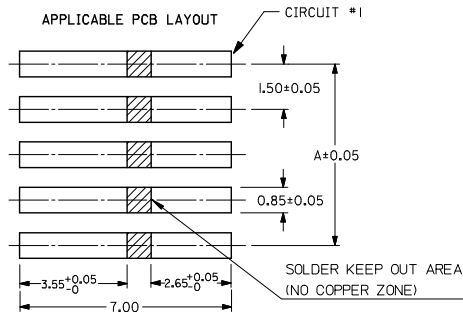
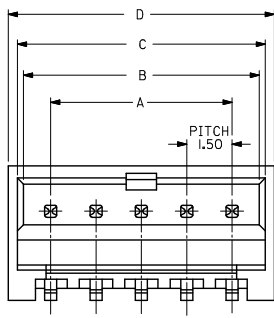
Click to view price, real time Inventory, Delivery & Lifecycle Information:

[Molex Connector Corporation](#)
[0874381542](#)

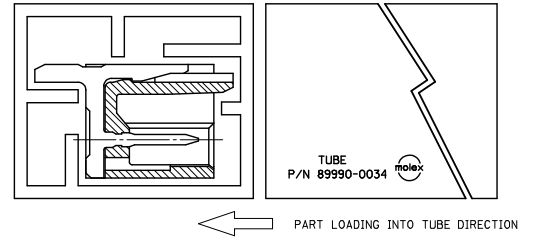
For any questions, you can email us directly:

sales@integrated-circuit.com

10 9 8 7 6 5 4 3 2 1



SECTION A-A



NOTES:

- MATERIALS:
HOUSING: NYLON, GLASS-FILLED, UL94 V-0,
COLOR: SEE TABLE
PINS: BRASS ALLOY, C26000
- PLATING: 2.54µM MIN. TIN OVER 1.27µM MIN. NICKEL.
- DRAWING SHOWS PLUG WITH 5 CIRCUITS.
- HEADER TO BE USED WITH CRIMP HOUSING, P/N 87439 AND CRIMP TERMINAL, P/N 87421
- PARTS SHALL BE PACKED IN MOISTURE BARRIER BAG.
- THIS DRAWING IS RE-DRAWING OF SD-87438-xx31.

REVISED IEC NO: J2014-0698 DRAWN BY: DRWINRHORI CHIKO KAWAWA APPROVED BY: NUKITA 2013/10/21 2013/10/22 2013/10/22	GENERAL TOLERANCES (UNLESS SPECIFIED)		DIMENSION STYLE	SCALE	DESIGN UNITS	THIRD ANGLE PROJECTION
	(UNLESS SPECIFIED)		MM ONLY	NTS	METRIC	
	10 UNDER	± 0.20	DRAWN BY	DATE	TITLE	1.50MM PITCH, W-T-B HEADER, R/A, SMT molex
	10 OVER 30 UNDER	± 0.20	KCLING	1994/04/08		
30 OVER	± 0.20	CHECKED BY	DATE			
ANGULAR ±3°		APPROVED BY	DATE			
DRAFT WHERE APPLICABLE MUST REMAIN WITHIN DIMENSIONS		NUKITA	2013/10/22			
		MATERIAL NO.	SEE TABLE	DOCUMENT NO.	SD-87438-001	SHEET NO.
		SIZE	A3	THIS DRAWING CONTAINS INFORMATION THAT IS PROPRIETARY TO MOLEX INCORPORATED AND SHOULD NOT BE USED WITHOUT WRITTEN PERMISSION		1 OF 3

9 8 7 6 5 4 3 2 1

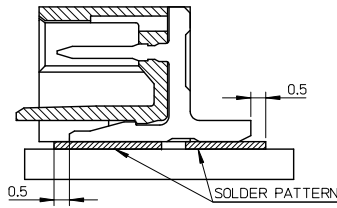
10	9	8	7	6	5	4	3	2	1
----	---	---	---	---	---	---	---	---	---

CKT SIZE	A	B	C	D	E
02	1.50	3.30	3.70	4.30	1.70
03	3.00	4.80	5.20	5.80	3.20
04	4.50	6.30	6.70	7.30	4.70
05	6.00	7.80	8.20	8.80	6.20
06	7.50	9.30	9.70	10.30	7.70
07	9.00	10.80	11.20	11.80	9.20
08	10.50	12.30	12.70	13.30	10.70
09	12.00	13.80	14.20	14.80	12.20
10	13.50	15.30	15.70	16.30	13.70
11	15.00	16.80	17.20	17.80	15.20
12	16.50	18.30	18.70	19.30	16.70
13	18.00	19.80	20.20	20.80	18.20
14	19.50	21.30	21.70	22.30	19.70
15	21.00	22.80	23.20	23.80	21.20

PART NUMBER ASSIGNMENT

87438-XXXX

- 2- TUBE PACKAGING
- 3- TAPE AND REEL PACKAGING
- 4- BEIGE COLOR HSG
- 6- BLACK COLOR HSG
- 2 TO 15 - CIRCUIT SIZE

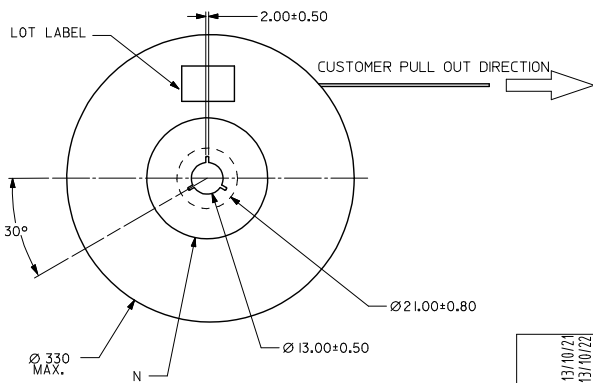
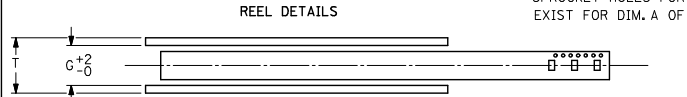
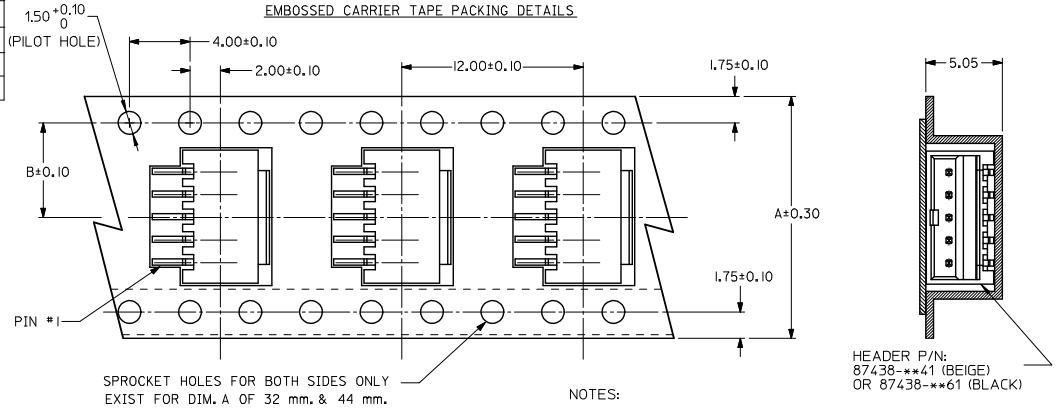


MOUNTING POSITION OF THE CONNECTOR

REVISED EC NO: J2014-0698 DRAWN BY: CHYD-KASUKAWA CHECKED BY: APPR: NUKITA 2013/10/21 2013/10/22 2013/10/22	GENERAL TOLERANCES (UNLESS SPECIFIED)		DIMENSION STYLE	SCALE	DESIGN UNITS	THIRD ANGLE PROJECTION
			MM ONLY	NTS	METRIC	
	10 UNDER	± 0.20	KCLING	DATE	1.50MM PITCH, W-T-B HEADER, R/A, SMT	
	10 OVER 30 UNDER	± 0.20	CHECKED BY	DATE		
30 OVER	± 0.20	SKTOH	DATE			
ANGULAR	± 3 °	APPROVED BY	DATE	molex		
DRAFT WHERE APPLICABLE MUST REMAIN WITHIN DIMENSIONS		MATERIAL NO.	SEE TABLE	DOCUMENT NO.	SD-87438-001	SHEET NO. 2 OF 3
THIS DRAWING CONTAINS INFORMATION THAT IS PROPRIETARY TO MOLEX INCORPORATED AND SHOULD NOT BE USED WITHOUT WRITTEN PERMISSION						

9	8	7	6	5	4	3	2
---	---	---	---	---	---	---	---

10	9	8	7	6	5	4	3	2	1
15	44	20.20	100	44.40	50.40				
11, 12, 13, 14	32	14.20	100	32.40	38.40				
7, 8, 9, 10	24	11.50	100	24.40	30.40				
2, 3, 4, 5, 6	16	7.50	100	16.40	22.40				
CIRCUIT SIZE	A	B	N	G	T MAX				



- NOTES:**
- LEADER AND TRAILER TAPE
160 MIN. TOP TAPE TRAILER | 390 MIN. TOP TAPE | 160 MIN. TAIL PART (EMPTY) | COMPONENT | 230 MIN. LEADER PART (EMPTY) | PULL OUT DIRECTION
 - PEELING OFF FORCE OF THE TOP TAPE: 20-80gf. (PEELING DIRECTION AS SHOWN IN FOLLOWING FIGURE)
PEEL OFF DIRECTION | 15° MAX. | PULL OUT DIRECTION
 - PACKAGING STANDARD IS AS PER EIA-481.
 - TAPE & REEL QUANTITY = 1000PCS/REEL
 - THE TAPE IS TREATED FOR ANTI-STATIC

REVISED EC NO: J2014-0698 DRAWN BY: CHIKO KAWAKAWA CHECKED BY: CHIKO KAWAKAWA APPROVED BY: NUKITA	2013/10/21	2013/10/22	2013/10/22	GENERAL TOLERANCES (UNLESS SPECIFIED)	DIMENSION STYLE	SCALE	DESIGN UNITS	THIRD ANGLE PROJECTION
	DESCRIPTION	DATE	DATE		MM ONLY	NTS	METRIC	
	10 UNDER	± 0.20	KCLING		1994/04/08	1.50MM PITCH, W-T-B HEADER, R/A, SMT		
	10 OVER 30 UNDER	± 0.20	CHECKED BY: SKTOH		1994/04/21	molex		
30 OVER	± 0.20	APPROVED BY: NUKITA	2013/10/22	ANGULAR	$\pm 3^\circ$	MATERIAL NO.	DOCUMENT NO.	SHEET NO.
DRAFT WHERE APPLICABLE MUST REMAIN WITHIN DIMENSIONS				SEE TABLE	SD-87438-001		3 OF 3	
THIS DRAWING CONTAINS INFORMATION THAT IS PROPRIETARY TO MOLEX INCORPORATED AND SHOULD NOT BE USED WITHOUT WRITTEN PERMISSION				SIZE: A3				