

## Excellent Integrated System Limited

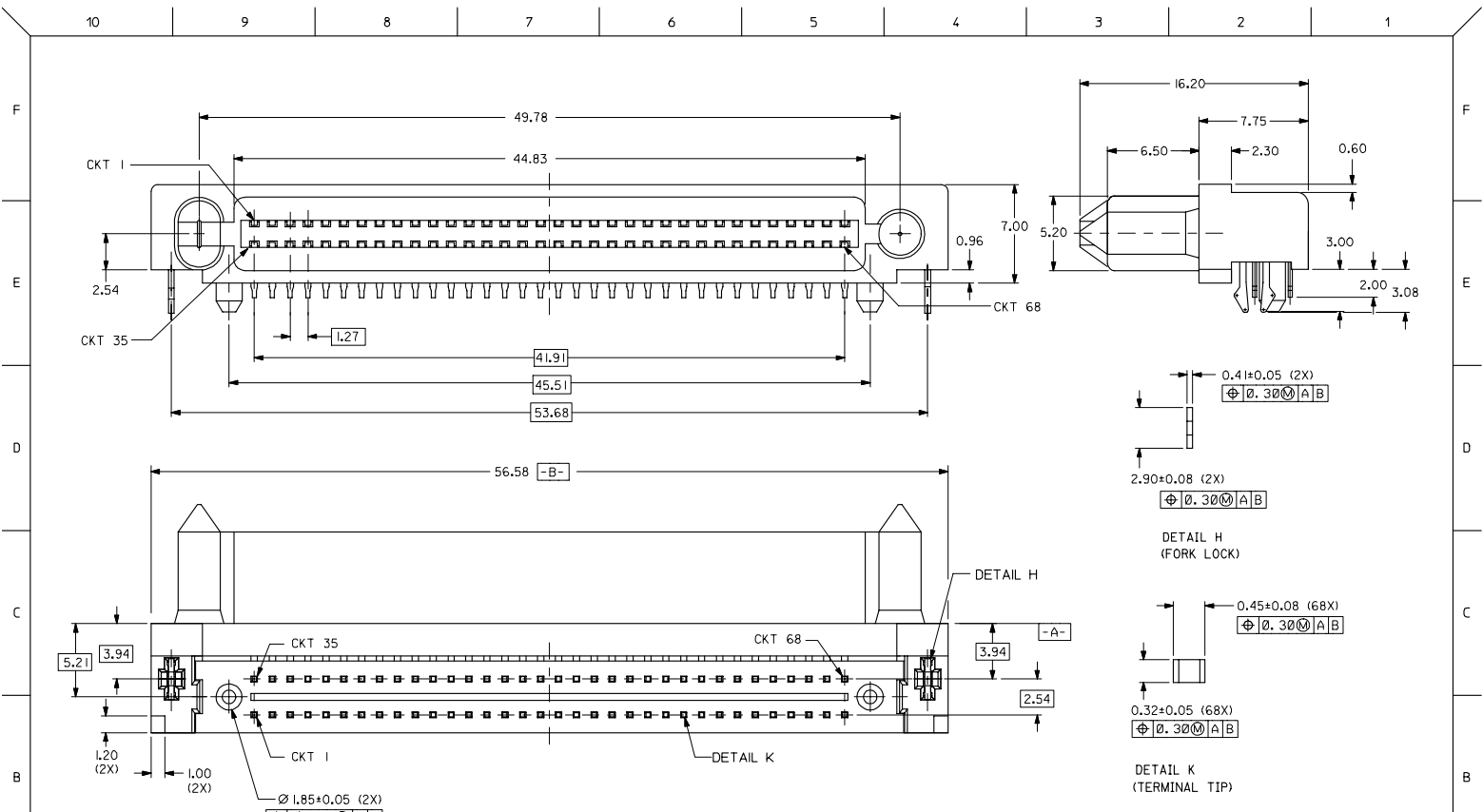
Stocking Distributor

Click to view price, real time Inventory, Delivery & Lifecycle Information:

[Molex Connector Corporation](#)  
[0875378814](#)

For any questions, you can email us directly:

[sales@integrated-circuit.com](mailto:sales@integrated-circuit.com)



PART NO. (PACKED IN CARTON)	PART NO. (PACKED IN BIN)	CONTACTS LUBRICATION	CKT SIZE
87537-8814	87537-8834	YES	68
87537-8812	87537-8832	NO	68

QBS TIN/LEAD P/N  
EC NO: S2006-0729  
DRAWN BY: 2006/07/27  
CHKD BY: 2006/07/27  
APPROV: 2006/07/28

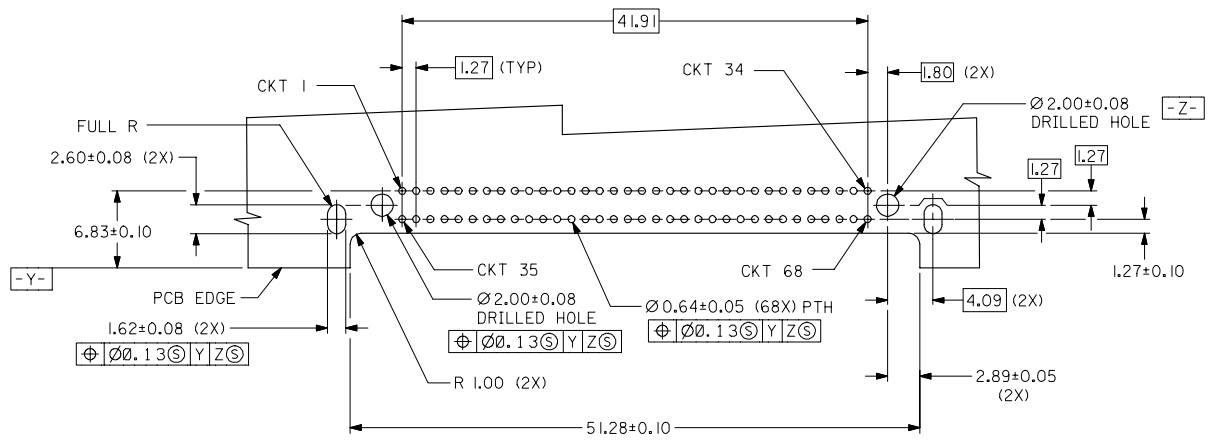
QUALITY SYMBOLS  
 $\nabla=0$   
 $\nabla=0$

	GENERAL TOLERANCES (UNLESS SPECIFIED)	
	mm	INCH
4 PLACES	± 0.15	± 0.006
3 PLACES	± 0.20	± 0.008
2 PLACES	± 0.25	± 0.010
1 PLACE	± 0.30	± 0.012
ANGULAR		± 3°

DRAFT WHERE APPLICABLE MUST REMAIN WITHIN DIMENSIONS

DIMENSION STYLE		SCALE	DESIGN UNITS	THIRD ANGLE PROJECTION
MM ONLY		NTS	METRIC	
DRAWN BY	DATE			
PTL IM	1995/12/28			
CHECKED BY	DATE			
SKT0H	1996/03/26			
APPROVED BY	DATE			
ROY	1996/03/26			

TITLE	EBBI, RECEPTACLE, CONN. 1.27MM CTR, 68 CKTS, BTB B/MATE, 2.54 HT., R/A	SHEET NO.	1 OF 2
MATERIAL NO.	SEE TABLE	DOCUMENT NO.	SD-87537-6812
MOLEX INCORPORATED			
THIS DRAWING CONTAINS INFORMATION THAT IS PROPRIETARY TO MOLEX INCORPORATED AND SHOULD NOT BE USED WITHOUT WRITTEN PERMISSION			



RECOMMENDED PC BOARD LAYOUT  $\triangle 3$   
COMPONENT SIDE

NOTES:

- 1 MATERIALS:  
HOUSING- LCP, 30% GLASS FILLED, UL94V-0, BLACK.  
TERMINALS- PHOSPHOR BRONZE.
- 2 PLATING:  
0.76µm MIN. GOLD IN SELECTIVE CONTACT AREA AND  
2.54µm MIN. TIN IN SOLDER TAIL AREA, BOTH  
OVER 1.27µm MIN. NICKEL.
- $\triangle 3$  RECOMMENDED P.C. BOARD THICKNESS IS 1.57±0.13MM.
- 4 CIRCUIT #58 TO BE RECESSED 0.50mm BEHIND  
ALL OTHER CONTACTS.
- $\triangle 5$  PART IS LUBRICATED AT TERMINAL CONTACTS TO MINIMISE  
UNMATE FORCE.

OBS. TIN/LEAD P/N EC. NO. S2006-0729 DRAWN BY CHKD. BY APPROV. BY	DESCRIPTION QUALITY SYMBOLS $\nabla=0$ $\nabla=0$	GENERAL TOLERANCES (UNLESS SPECIFIED)		DIMENSION STYLE MM ONLY		SCALE NTS	DESIGN UNITS METRIC	THIRD ANGLE PROJECTION	
		4 PLACES ± --- ± ---	3 PLACES ± --- ± ---	2 PLACES ± 0.25 ± ---	1 PLACE ± --- ± ---	DRAWN BY PTL IM	DATE 1995/12/28	TITLE EBB1, RECEPTACLE, CONN. 1.27MM CTR, 68 CKTS, BTB B/MATE, 2.54 HT., R/A	
		ANGULAR ± 3 °		DRAFT WHERE APPLICABLE MUST REMAIN WITHIN DIMENSIONS		CHECKED BY SKT0H	DATE 1996/03/26	MATERIAL NO. SEE TABLE	DOCUMENT NO. SD-87537-6812
		DRAWING NO. 2006/07/27		APPROVED BY ROY		DATE 1996/03/26	MOLEX INCORPORATED		SHEET NO. 2 OF 2