

Excellent Integrated System Limited

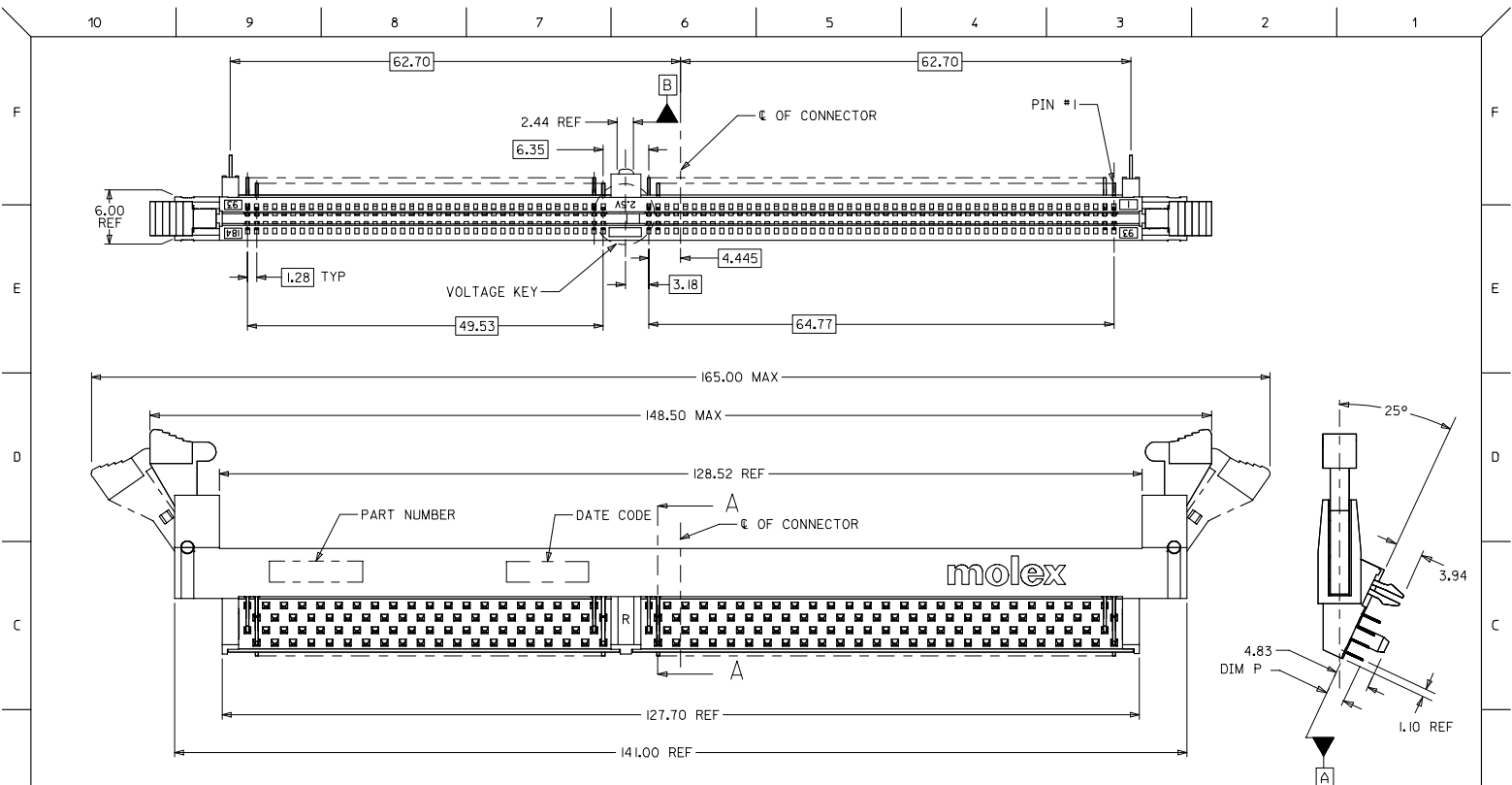
Stocking Distributor

Click to view price, real time Inventory, Delivery & Lifecycle Information:

[Molex Connector Corporation](#)
[0876391100](#)

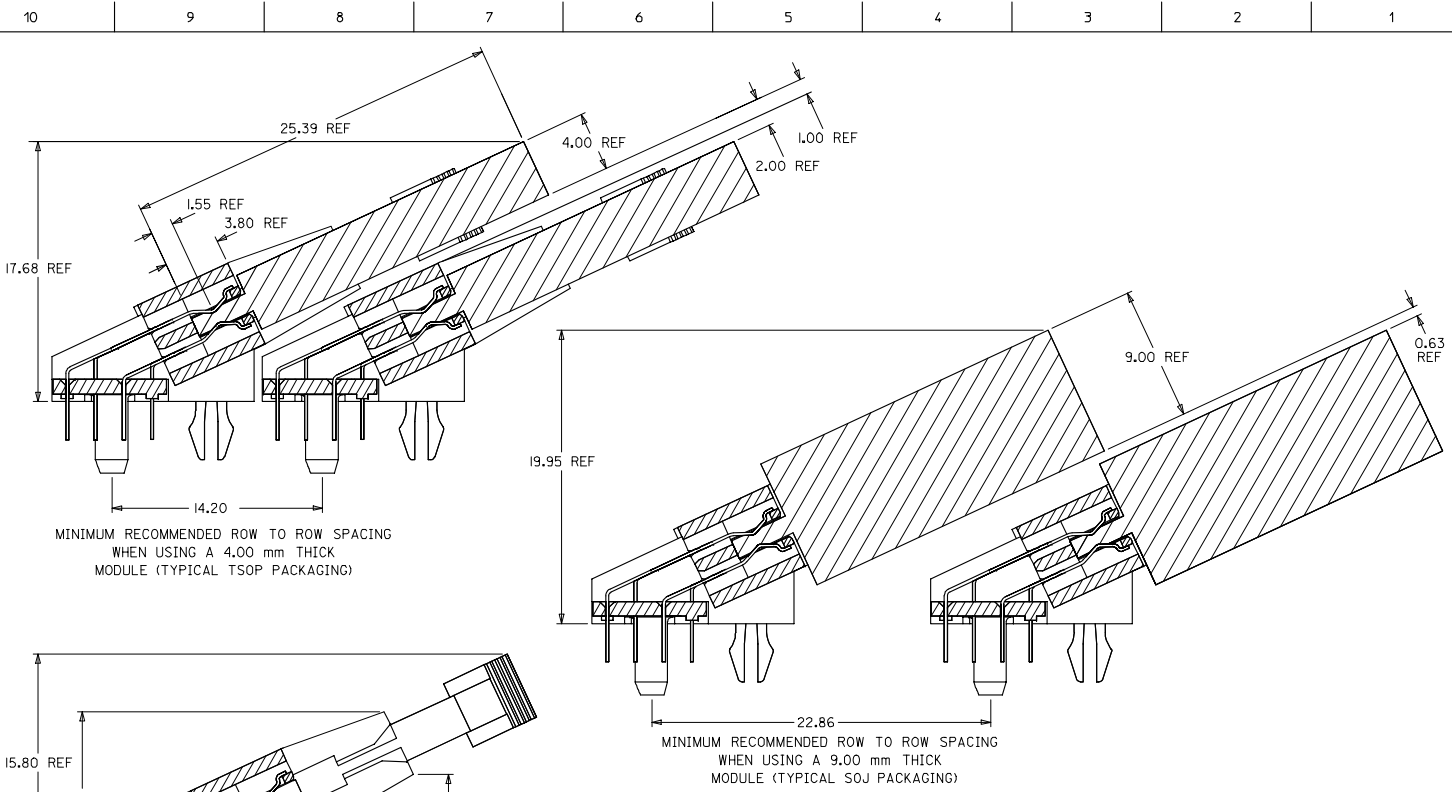
For any questions, you can email us directly:

sales@integrated-circuit.com

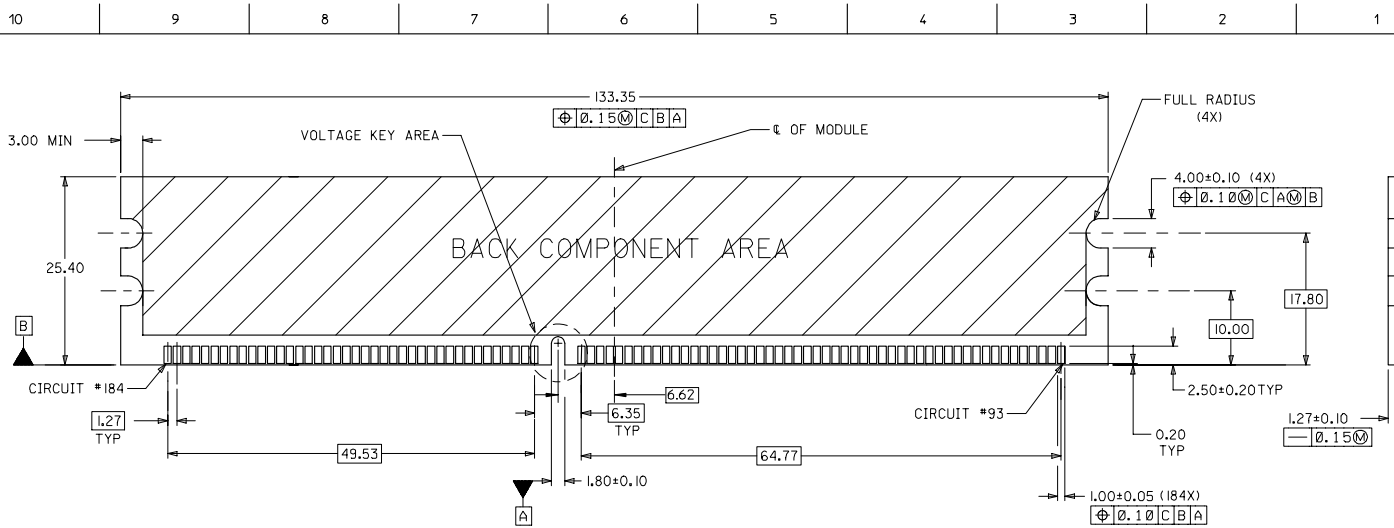


- NOTES:
1. MATERIALS: HOUSING - LCP, GLASS FILLED, UL 94V-0, COLOR: BLACK
LATCHES - HIGH TEMP NYLON, GLASS FILLED, UL 94V-0
TERMINAL AND FORKLOCK - COPPER ALLOY
 2. FINISHES: CONTACT AREA: SEE TABLE ON SHEET 5
SOLDERTAILS: 2.54UM/100u" MIN. TIN
OVER 1.27UM/50u" MIN NICKEL
 3. PRODUCT SPECIFICATIONS: PS-87639-002 FOR PERFORMANCE SPECIFICATIONS.
 4. DATE CODE SHALL BE MARKED LEGIBLY AS SHOWN: XX XX
YEAR WEEK
 5. PART NUMBER SHALL BE MARKED LEGIBLY AS SHOWN: 87639-0XXX
REFER TO TABLE

OBS TIN/LEAD P/N EC NO: S2006-0746 DRAWN: LONG CHKD: HR APPR: GLEE	QUALITY SYMBOLS ▽=0 ▽=0	GENERAL TOLERANCES (UNLESS SPECIFIED)		DIMENSION STYLE MM ONLY		SCALE NTS	DESIGN UNITS METRIC	THIRD ANGLE PROJECTION
		4 PLACES ± --- ± ---	mm	INCH	DRAWN BY LPL IM	DATE 2000/05/31	TITLE DDR DIMM, 1.27MM PITCH 184 CKTS, 25 DEG REVERSE 1.91MM ROW TO ROW	
		3 PLACES ± --- ± ---			CHECKED BY DSOH	DATE 2000/07/07		
		2 PLACES ± 0.25 ± ---			APPROVED BY SKTOH	DATE 2000/07/07	MATERIAL NO. SEE TABLE	DOCUMENT NO. SD-87639-001
		1 PLACE ± --- ± ---						
		ANGULAR ± 5 °		DRAFT WHERE APPLICABLE MUST REMAIN WITHIN DIMENSIONS				



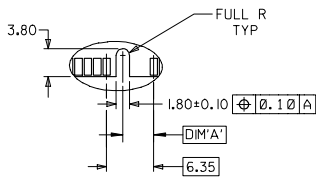
OBS. TIN/LEAD P/N EC. NO.: S2006-0746 DRAWN BY: DRW:MLONG CHKD: HRD APPR: GLEE	QUALITY SYMBOLS	GENERAL TOLERANCES (UNLESS SPECIFIED)		DIMENSION STYLE MM ONLY		SCALE NTS	DESIGN UNITS METRIC	THIRD ANGLE PROJECTION
	$\nabla=0$ $\nabla=0$	4 PLACES	±	---	---	---	---	TITLE DDR DIMM, 1.27MM PITCH 184 CKTS, 25 DEG REVERSE 1.91MM ROW TO ROW MOLEX INCORPORATED
		3 PLACES	±	---	---	---	---	
		2 PLACES	±	0.25	---	---	---	
1 PLACE	±	---	---	---	---			
		ANGULAR ± 5 °		DRAWN BY: LPL IM DATE: 2000/05/31		CHECKED BY: DSOH DATE: 2000/07/07		
		DRAFT WHERE APPLICABLE MUST REMAIN WITHIN DIMENSIONS		APPROVED BY: SKTOH DATE: 2000/07/07		MATERIAL NO. SEE TABLE		
				DOCUMENT NO. SD-87639-001		SHEET NO. 2 OF 5		



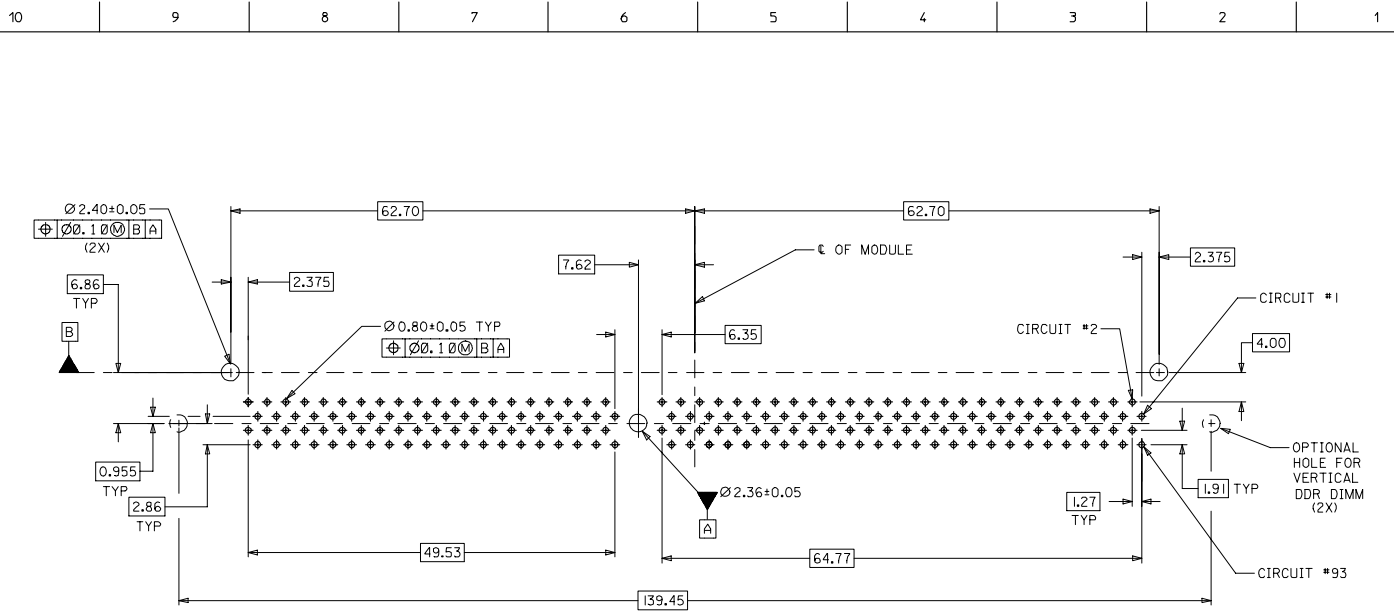
RECOMMENDED MODULE LAYOUT
(PER JEDEC STANDARD MO-206, 184 CKT.)
UNLESS OTHERWISE SPECIFIED, GENERAL TOLERANCE FOR MODULE = ±0.13

VOLTAGE KEY AREA

VOLTAGE KEY	DIM 'A'
2.5V	4.175



OBS. TIN/LEAD P/N EC. NO.: S2006-0746 DRAWN/MLG CHKD: HR APPR: GLEE	DESCRIPTION 2004/07/27 2006/07/28	QUALITY SYMBOLS	GENERAL TOLERANCES (UNLESS SPECIFIED)	DIMENSION STYLE MM ONLY	SCALE NTS	DESIGN UNITS METRIC	THIRD ANGLE PROJECTION																																
		$\nabla=0$ $\nabla=0$																																					
<table border="1"> <tr> <th></th> <th>mm</th> <th>INCH</th> </tr> <tr> <td>4 PLACES</td> <td>±---</td> <td>±---</td> </tr> <tr> <td>3 PLACES</td> <td>±---</td> <td>±---</td> </tr> <tr> <td>2 PLACES</td> <td>±0.25</td> <td>±---</td> </tr> <tr> <td>1 PLACE</td> <td>±---</td> <td>±---</td> </tr> </table>				mm	INCH	4 PLACES	±---	±---	3 PLACES	±---	±---	2 PLACES	±0.25	±---	1 PLACE	±---	±---	<table border="1"> <tr> <td>DRAWN BY</td> <td>DATE</td> <td>TITLE</td> </tr> <tr> <td>LPL IM</td> <td>2000/05/31</td> <td>DDR DIMM, 1.27MM PITCH</td> </tr> <tr> <td>CHECKED BY</td> <td>DATE</td> <td>184 CKTS, 25 DEG REVERSE</td> </tr> <tr> <td>DSOH</td> <td>2000/07/07</td> <td>1.91MM ROW TO ROW</td> </tr> <tr> <td>APPROVED BY</td> <td>DATE</td> <td></td> </tr> <tr> <td>SKTOH</td> <td>2000/07/07</td> <td></td> </tr> </table>		DRAWN BY	DATE	TITLE	LPL IM	2000/05/31	DDR DIMM, 1.27MM PITCH	CHECKED BY	DATE	184 CKTS, 25 DEG REVERSE	DSOH	2000/07/07	1.91MM ROW TO ROW	APPROVED BY	DATE		SKTOH	2000/07/07		<p>MOLEX INCORPORATED</p>	
	mm	INCH																																					
4 PLACES	±---	±---																																					
3 PLACES	±---	±---																																					
2 PLACES	±0.25	±---																																					
1 PLACE	±---	±---																																					
DRAWN BY	DATE	TITLE																																					
LPL IM	2000/05/31	DDR DIMM, 1.27MM PITCH																																					
CHECKED BY	DATE	184 CKTS, 25 DEG REVERSE																																					
DSOH	2000/07/07	1.91MM ROW TO ROW																																					
APPROVED BY	DATE																																						
SKTOH	2000/07/07																																						
DRAFT WHERE APPLICABLE MUST REMAIN WITHIN DIMENSIONS				MATERIAL NO. SEE TABLE		DOCUMENT NO. SD-87639-001																																	
SIZE A3				THIS DRAWING CONTAINS INFORMATION THAT IS PROPRIETARY TO MOLEX INCORPORATED AND SHOULD NOT BE USED WITHOUT WRITTEN PERMISSION																																			



RECOMMENDED P.C. BOARD
HOLE PATTERN (CONNECTOR SIDE)

OBS: TIN/LEAD P/N EC NO: S2006-0746 DRAWN: LONG CHKD: HR APPR: GLEE 2006/07/27 2006/07/28 2006/07/28	QUALITY SYMBOLS ▽=0 ▽=0	GENERAL TOLERANCES (UNLESS SPECIFIED)		DIMENSION STYLE MM ONLY	SCALE NTS	DESIGN UNITS METRIC	THIRD ANGLE PROJECTION		
		4 PLACES ± --- ± --- 3 PLACES ± --- ± --- 2 PLACES ± 0.25 ± --- 1 PLACE ± --- ± ---	mm INCH	DRAWN BY LPL/IM	DATE 2000/05/31	TITLE DDR DIMM, 1.27MM PITCH 184 CKTS, 25 DEG REVERSE 1.91MM ROW TO ROW			
		ANGULAR ± 5 °		CHECKED BY JSOH	DATE 2000/07/07	MOLEX INCORPORATED			
		DRAFT WHERE APPLICABLE MUST REMAIN WITHIN DIMENSIONS		APPROVED BY SKTOH	DATE 2000/07/07	MATERIAL NO. SEE TABLE	DOCUMENT NO. SD-87639-001	SHEET NO. 4 OF 5	

10 9 8 7 6 5 4 3 2 1

MATERIAL NO.	VOLTAGE KEY	TAIL LENGTH P±0.25	RECOMMENDED PCB THICKNESS	FINISHES: CONTACT AREA
87639-1001	RIGHT (2.5V)	2.79	1.57	SELECTIVE GOLD 0.38µM/15µ" MIN. GOLD OVER 1.27µM/50µ" MIN. NICKEL
87639-1010		3.18		
87639-1011		3.56		
87639-1100		2.79		SELECTIVE GOLD 0.76µM/30µ" MIN. GOLD OVER 1.27µM/50µ" MIN. NICKEL
87639-1110		3.18		

OBS. TIN/LEAD P/N EC. NO.: S2006-0746 DRAWN BY: DRW:MLONG CHKD: TRD APPR: GLEE 2006/07/27 2006/07/28 2006/07/28	QUALITY SYMBOLS	GENERAL TOLERANCES (UNLESS SPECIFIED)		DIMENSION STYLE MM ONLY		SCALE NTS	DESIGN UNITS METRIC	THIRD ANGLE PROJECTION																														
	= 0 = 0	<table border="1"> <tr> <th></th> <th>mm</th> <th>INCH</th> </tr> <tr> <td>4 PLACES</td> <td>± ---</td> <td>± ---</td> </tr> <tr> <td>3 PLACES</td> <td>± ---</td> <td>± ---</td> </tr> <tr> <td>2 PLACES</td> <td>± 0.25</td> <td>± ---</td> </tr> <tr> <td>1 PLACE</td> <td>± ---</td> <td>± ---</td> </tr> </table>		mm	INCH	4 PLACES	± ---	± ---	3 PLACES	± ---	± ---	2 PLACES	± 0.25	± ---	1 PLACE	± ---	± ---	<table border="1"> <tr> <td colspan="2">DRAWN BY</td> <td>DATE</td> </tr> <tr> <td colspan="2">LPL IM</td> <td>2000/05/31</td> </tr> <tr> <td colspan="2">CHECKED BY</td> <td>DATE</td> </tr> <tr> <td colspan="2">DSOH</td> <td>2000/07/07</td> </tr> <tr> <td colspan="2">APPROVED BY</td> <td>DATE</td> </tr> <tr> <td colspan="2">SKTOH</td> <td>2000/07/07</td> </tr> </table>	DRAWN BY		DATE	LPL IM		2000/05/31	CHECKED BY		DATE	DSOH		2000/07/07	APPROVED BY		DATE	SKTOH		2000/07/07	TITLE	DDR DIMM, 1.27MM PITCH 184 CKTS, 25 DEG REVERSE 1.91MM ROW TO ROW
		mm	INCH																																			
	4 PLACES	± ---	± ---																																			
	3 PLACES	± ---	± ---																																			
2 PLACES	± 0.25	± ---																																				
1 PLACE	± ---	± ---																																				
DRAWN BY		DATE																																				
LPL IM		2000/05/31																																				
CHECKED BY		DATE																																				
DSOH		2000/07/07																																				
APPROVED BY		DATE																																				
SKTOH		2000/07/07																																				
DRAFT WHERE APPLICABLE MUST REMAIN WITHIN DIMENSIONS	MATERIAL NO.	DOCUMENT NO.	SHEET NO.	MOLEX INCORPORATED																																		
SIZE A3	SEE TABLE	SD-87639-001	5 OF 5	THIS DRAWING CONTAINS INFORMATION THAT IS PROPRIETARY TO MOLEX INCORPORATED AND SHOULD NOT BE USED WITHOUT WRITTEN PERMISSION																																		

10 9 8 7 6 5 4 3 2 1