

## Excellent Integrated System Limited

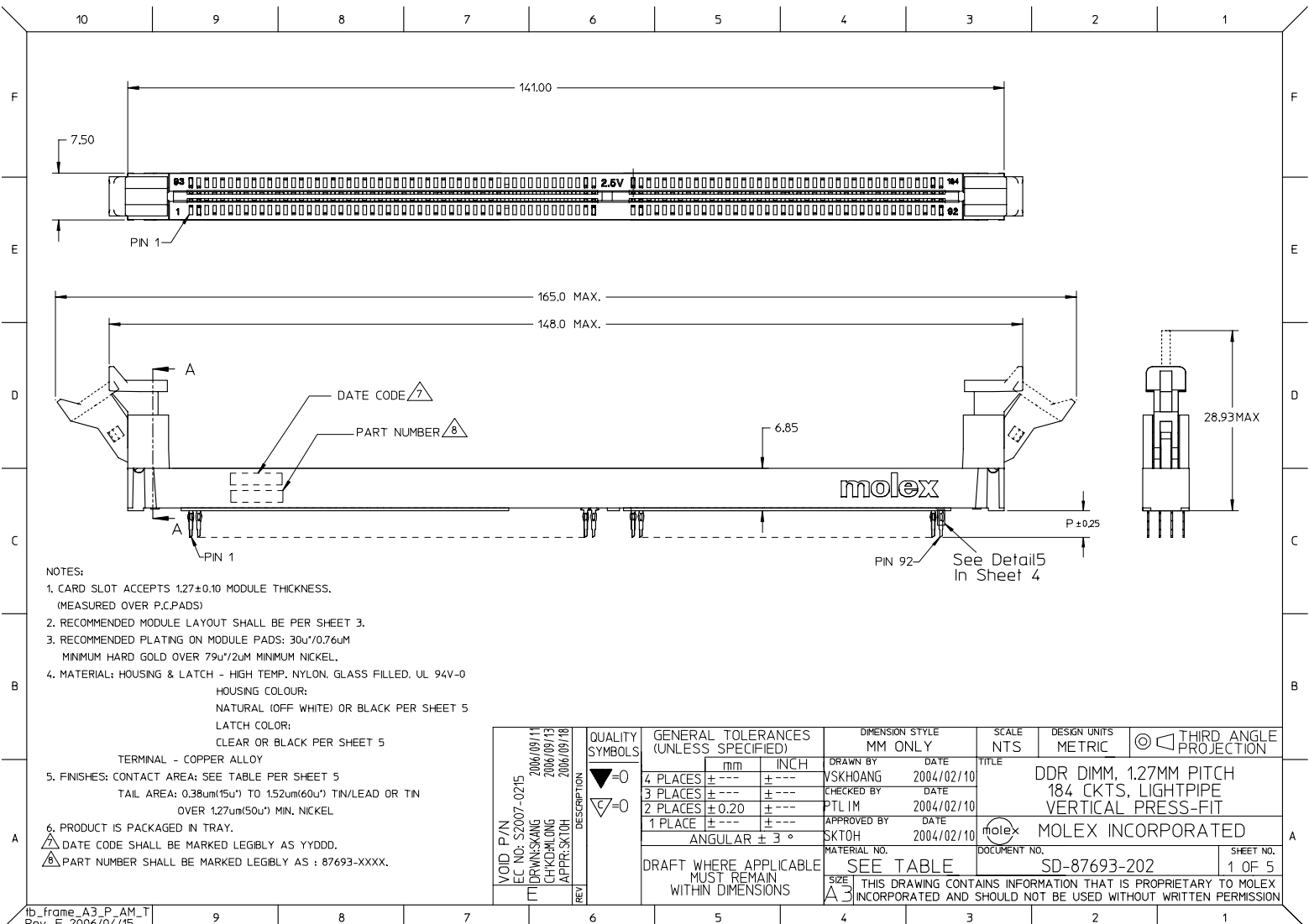
Stocking Distributor

Click to view price, real time Inventory, Delivery & Lifecycle Information:

[Molex Connector Corporation](#)  
[0876930301](#)

For any questions, you can email us directly:

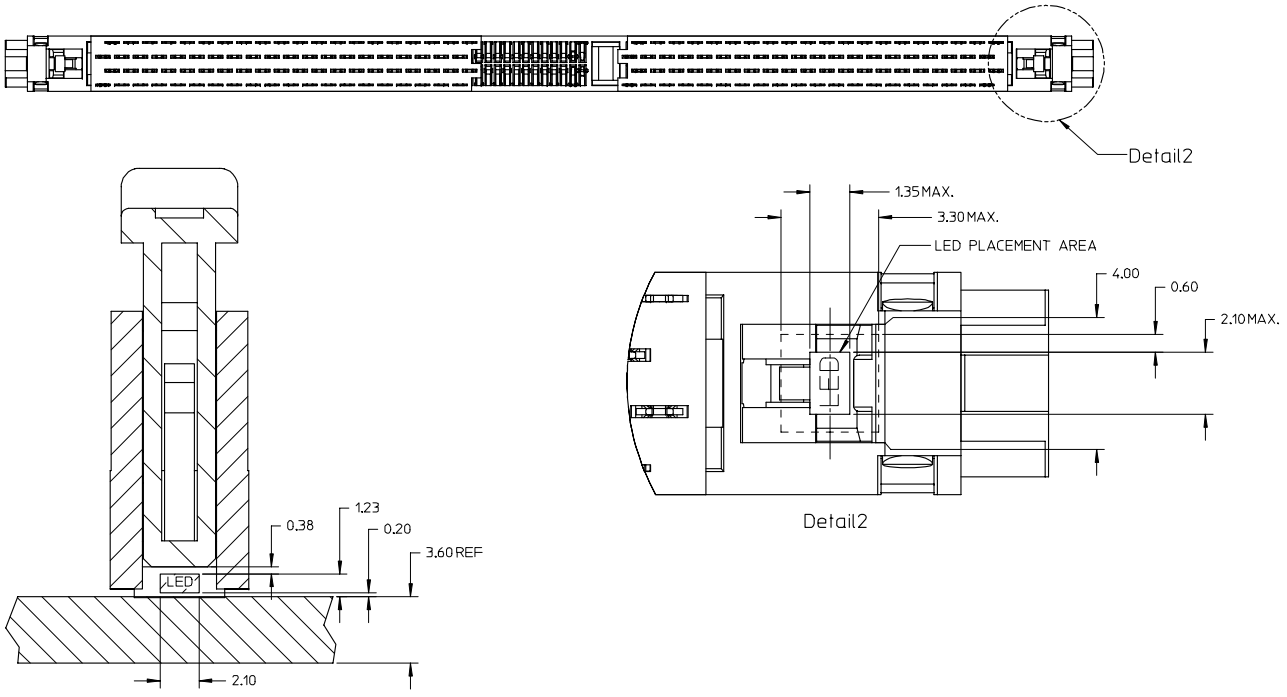
[sales@integrated-circuit.com](mailto:sales@integrated-circuit.com)



**NOTES:**

1. CARD SLOT ACCEPTS 1.27±0.10 MODULE THICKNESS. (MEASURED OVER P.C.PADS)
  2. RECOMMENDED MODULE LAYOUT SHALL BE PER SHEET 3.
  3. RECOMMENDED PLATING ON MODULE PADS: 30u"/0.76uM MINIMUM HARD GOLD OVER 79u"/2uM MINIMUM NICKEL.
  4. MATERIAL: HOUSING & LATCH - HIGH TEMP. NYLON, GLASS FILLED, UL 94V-0  
HOUSING COLOUR:  
NATURAL (OFF WHITE) OR BLACK PER SHEET 5  
LATCH COLOR:  
CLEAR OR BLACK PER SHEET 5  
TERMINAL - COPPER ALLOY
  5. FINISHES: CONTACT AREA: SEE TABLE PER SHEET 5  
TAIL AREA: 0.38um(15u") TO 152um(60u") TIN/LEAD OR TIN OVER 1.27um(50u") MIN. NICKEL
  6. PRODUCT IS PACKAGED IN TRAY.
7. DATE CODE SHALL BE MARKED LEGIBLY AS YYDD.  
 8. PART NUMBER SHALL BE MARKED LEGIBLY AS : 87693-XXXX.

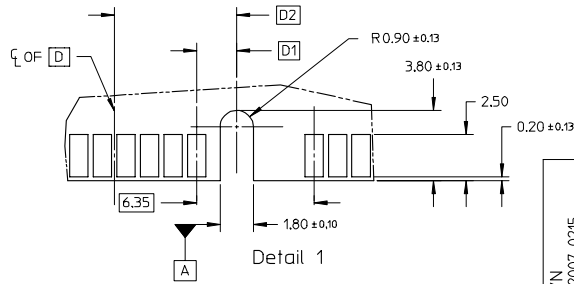
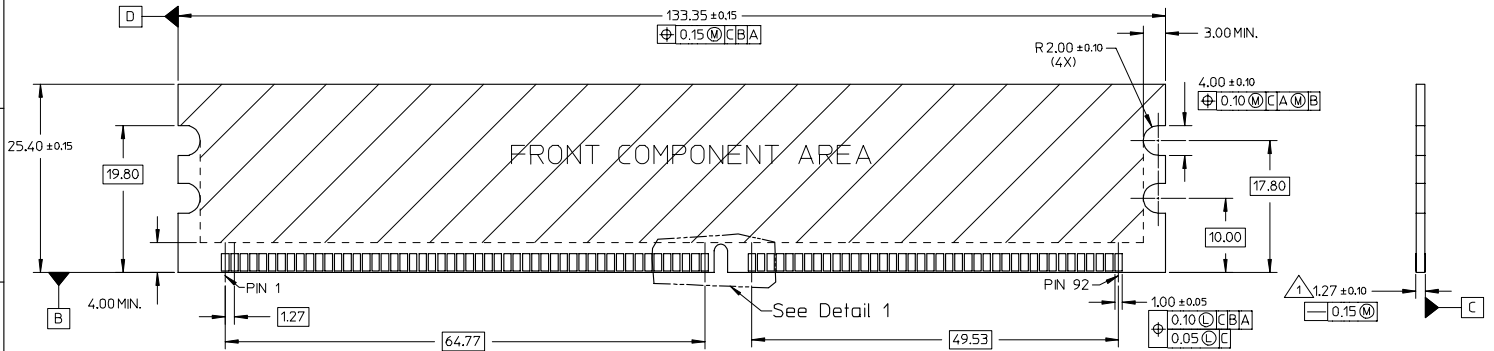
VOID P/N EC NO: S2007-0215 2006/09/11 DRINKSANG CHKDHLONG APPR:SKTOH 2006/09/18	DESCRIPTION	QUALITY SYMBOLS	GENERAL TOLERANCES (UNLESS SPECIFIED)	DIMENSION STYLE	SCALE	DESIGN UNITS	THIRD ANGLE PROJECTION													
		$\nabla=0$ $\nabla=0$	<table border="1"> <thead> <tr> <th></th> <th>mm</th> <th>INCH</th> </tr> </thead> <tbody> <tr> <td>4 PLACES</td> <td>± ---</td> <td>± ---</td> </tr> <tr> <td>3 PLACES</td> <td>± ---</td> <td>± ---</td> </tr> <tr> <td>2 PLACES</td> <td>± 0.20</td> <td>± ---</td> </tr> <tr> <td>1 PLACE</td> <td>± ---</td> <td>± ---</td> </tr> </tbody> </table>		mm	INCH	4 PLACES	± ---	± ---	3 PLACES	± ---	± ---	2 PLACES	± 0.20	± ---	1 PLACE	± ---	± ---	MM ONLY	NTS
	mm	INCH																		
4 PLACES	± ---	± ---																		
3 PLACES	± ---	± ---																		
2 PLACES	± 0.20	± ---																		
1 PLACE	± ---	± ---																		
				DRAWN BY: VSKHOANG CHECKED BY: PTL IM APPROVED BY: SKTOH DATE: 2004/02/10	TITLE: DDR DIMM, 1.27MM PITCH 184 CKTS, LIGHTPIPE VERTICAL PRESS-FIT MOLEX INCORPORATED	MATERIAL NO. SEE TABLE	DOCUMENT NO. SD-87693-202	SHEET NO. 1 OF 5												
DRAFT WHERE APPLICABLE MUST REMAIN WITHIN DIMENSIONS								SIZE: A3 THIS DRAWING CONTAINS INFORMATION THAT IS PROPRIETARY TO MOLEX INCORPORATED AND SHOULD NOT BE USED WITHOUT WRITTEN PERMISSION												



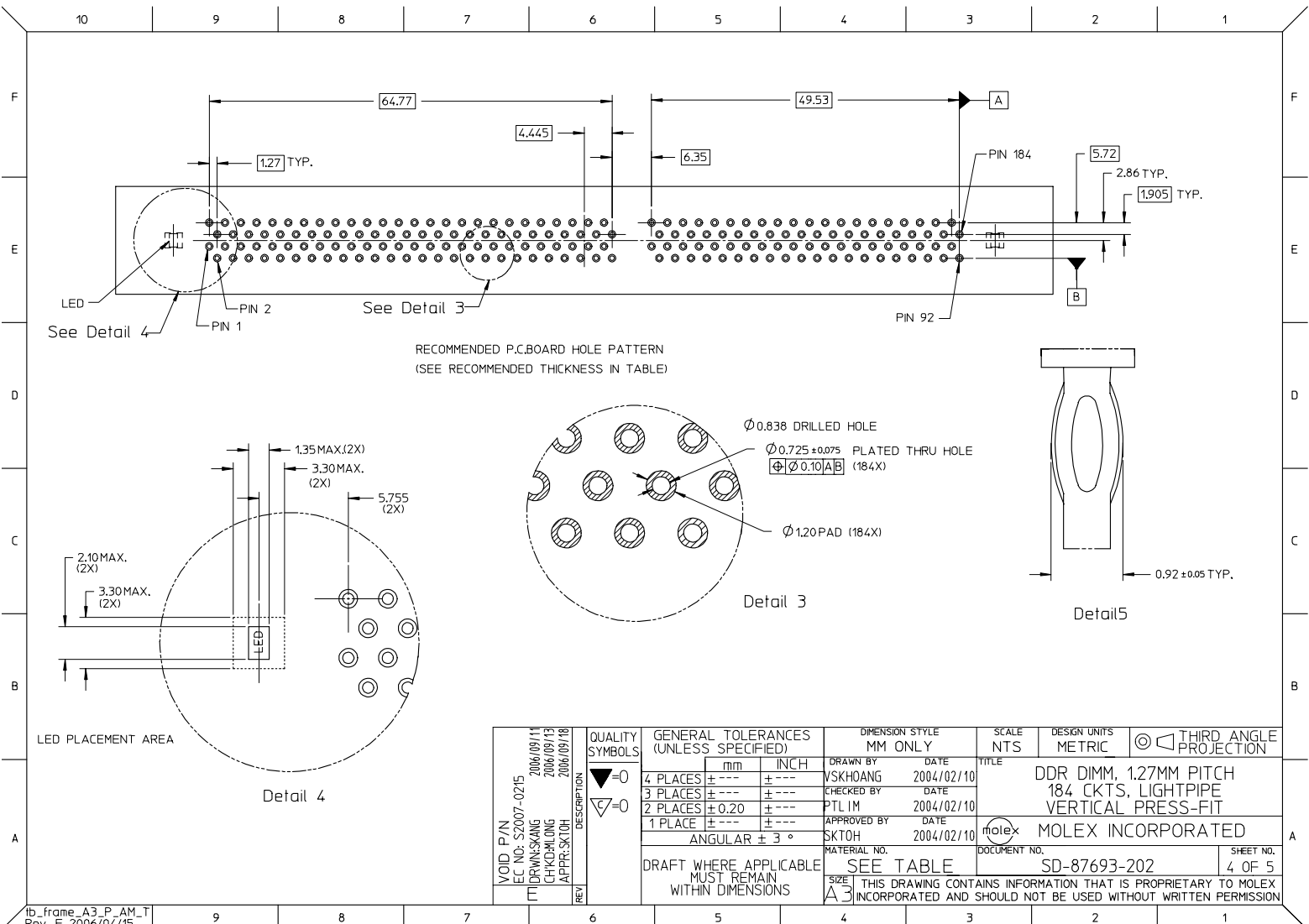
SECTION A-A

VOID P/N EC NO: S2007-0215 2006/09/11 DRWNSKANG 2006/09/13 CHKDRLONG APPR:SKTOH 2006/09/18	DESCRIPTION REV	QUALITY SYMBOLS ▽=0 ▽=0	GENERAL TOLERANCES (UNLESS SPECIFIED)		DIMENSION STYLE MM ONLY	SCALE NTS	DESIGN UNITS METRIC	THIRD ANGLE PROJECTION
		4 PLACES ± --- ± --- 3 PLACES ± --- ± --- 2 PLACES ± 0.20 ± --- 1 PLACE ± --- ± ---	mm INCH	DRAWN BY VSKHOANG DATE 2004/02/10	CHECKED BY PTL IM DATE 2004/02/10	TITLE DDR DIMM, 1.27MM PITCH 184 CKTS, LIGHTPIPE VERTICAL PRESS-FIT	MOLEX INCORPORATED	SHEET NO. 2 OF 5
		ANGULAR ± 3 °		APPROVED BY SKTOH DATE 2004/02/10	MATERIAL NO. SEE TABLE	DOCUMENT NO. SD-87693-202	THIS DRAWING CONTAINS INFORMATION THAT IS PROPRIETARY TO MOLEX INCORPORATED AND SHOULD NOT BE USED WITHOUT WRITTEN PERMISSION	
		DRAFT WHERE APPLICABLE MUST REMAIN WITHIN DIMENSIONS		SIZE A3				

NOTES:  
 1 CARD THICKNESS APPLIES ACROSS THE CONTACTS AND INCLUDES PLATING AND/OR METALIZATION.  
 STRAIGHTNESS CALLOUT APPLIES TO ZONE DEFINED BY THE 4.00 CONTACT AREA DIMENSION FOR THE ENTIRE LENGTH OF 133.35.



VOID P/N EC NO: S2007-0215	DESCRIPTION DDR DIMM, 1.27MM PITCH 184 CKTS, LIGHTPIPE VERTICAL PRESS-FIT	QUALITY SYMBOLS		GENERAL TOLERANCES (UNLESS SPECIFIED)		DIMENSION STYLE MM ONLY		SCALE NTS	DESIGN UNITS METRIC	THIRD ANGLE PROJECTION
		▽=0 ▽=0	4 PLACES ± --- ± --- 3 PLACES ± --- ± --- 2 PLACES ± 0.20 ± --- 1 PLACE ± --- ± ---	mm INCH	DRAWN BY VSKHOANG DATE 2004/02/10	CHECKED BY PTL IM DATE 2004/02/10	APPROVED BY SKTOH DATE 2004/02/10	MATERIAL NO. SEE TABLE	DOCUMENT NO. SD-87693-202	SHEET NO. 3 OF 5
DRAFT WHERE APPLICABLE MUST REMAIN WITHIN DIMENSIONS		THIS DRAWING CONTAINS INFORMATION THAT IS PROPRIETARY TO MOLEX INCORPORATED AND SHOULD NOT BE USED WITHOUT WRITTEN PERMISSION								



RECOMMENDED P.C.BOARD HOLE PATTERN  
(SEE RECOMMENDED THICKNESS IN TABLE)

VOID P/N EC NO: S2007-0215 2006/09/11 DRINKSANG 2006/09/13 CHKHONG 2006/09/18 APPR:SKTOH	DESCRIPTION REV	QUALITY SYMBOLS ▽=0 ▽=0	GENERAL TOLERANCES (UNLESS SPECIFIED)		DIMENSION STYLE MM ONLY		SCALE NTS	DESIGN UNITS METRIC	THIRD ANGLE PROJECTION
		4 PLACES ± --- ± --- 3 PLACES ± --- ± --- 2 PLACES ± 0.20 ± --- 1 PLACE ± --- ± ---	mm INCH	DRAWN BY VSKHOANG DATE 2004/02/10	CHECKED BY PTL IM DATE 2004/02/10	TITLE DDR DIMM, 1.27MM PITCH 184 CKTS, LIGHTPIPE VERTICAL PRESS-FIT			
		ANGULAR ± 3 °		APPROVED BY SKTOH DATE 2004/02/10	MOLEX INCORPORATED				
		DRAFT WHERE APPLICABLE MUST REMAIN WITHIN DIMENSIONS		MATERIAL NO. SEE TABLE	DOCUMENT NO. SD-87693-202	SHEET NO. 4 OF 5			

	10	9	8	7	6	5	4	3	2	1					
		PLATING OPTION	PART NUMBER	TAIL LENGTH P±0.25	RECOMMENDED PCB THICKNESS	VOLTAGE KEY	DESCRIPTION	D1	D2	FINISHES CONTACT AREA	HOUSING COLOUR	LATCH			
F		TIN/LEAD	87693-4201	4.30	4.57	2.5 VOLT	LEFT	2.175	6.62	SELECTIVE GOLD 15u"/0.38uM MIN. GOLD OVER 50u"/1.27uM MIN. NICKEL	BLACK	BLACK			
			87693-4301	3.32	3.60	1.8 VOLT	CENTER	3.175	7.62						
			87693-4202	4.30	4.57										
			87693-4302	3.32	3.60	2.5 VOLT	LEFT	2.175	6.62				SELECTIVE GOLD 30u"/0.76uM MIN. GOLD OVER 50u"/1.27uM MIN. NICKEL	BLACK	BLACK
			87693-4211	4.30	4.57										
			87693-4311	3.32	3.60	1.8 VOLT	CENTER	3.175	7.62						
			87693-4212	4.30	4.57										
			87693-4312	3.32	3.60	2.5 VOLT	LEFT	2.175	6.62	SELECTIVE GOLD 15u"/0.38uM MIN. GOLD OVER 50u"/1.27uM MIN. NICKEL	BLACK	CLEAR			
			87693-5201	4.30	4.57										
			87693-5301	3.32	3.60	1.8 VOLT	CENTER	3.175	7.62						
			87693-5202	4.30	4.57										
			87693-5302	3.32	3.60	2.5 VOLT	LEFT	2.175	6.62				SELECTIVE GOLD 30u"/0.76uM MIN. GOLD OVER 50u"/1.27uM MIN. NICKEL	BLACK	BLACK
		87693-5211	4.30	4.57											
		87693-5311	3.32	3.60	1.8 VOLT	CENTER	3.175	7.62							
		87693-5212	4.30	4.57											
		87693-5312	3.32	3.60	2.5 VOLT	LEFT	2.175	6.62	SELECTIVE GOLD 15u"/0.38uM MIN. GOLD OVER 50u"/1.27uM MIN. NICKEL	BLACK	CLEAR				
		87693-6311	3.32	3.60											
		TIN	87693-0201	4.30	4.57	2.5 VOLT	LEFT	2.175				6.62	SELECTIVE GOLD 15u"/0.38uM MIN. GOLD OVER 50u"/1.27uM MIN. NICKEL	BLACK	BLACK
			87693-0301	3.32	3.60	1.8 VOLT	CENTER	3.175				7.62			
			87693-0202	4.30	4.57										
			87693-0302	3.32	3.60	2.5 VOLT	LEFT	2.175				6.62			
			87693-0311	3.32	3.60										
			87693-1201	4.30	4.57	1.8 VOLT	CENTER	3.175	7.62						
			87693-1301	3.32	3.60										
			87693-1202	4.30	4.57	2.5 VOLT	LEFT	2.175	6.62	SELECTIVE GOLD 15u"/0.38uM MIN. GOLD OVER 50u"/1.27uM MIN. NICKEL	BLACK	CLEAR			
			87693-1302	3.32	3.60										
			87693-1211	4.30	4.57	1.8 VOLT	CENTER	3.175	7.62						
			87693-1311	3.32	3.60										
			87693-2311	3.32	3.60	2.5 VOLT	LEFT	2.175	6.62				NATURAL		

VOID P/N EC NO: S2007-0215 DRAWING NO: 2006/09/11 DRWNSKANG CHKDRHLONG APPR:SKTOH 2006/09/18	QUALITY SYMBOLS ▽=0 ▽=0	GENERAL TOLERANCES (UNLESS SPECIFIED)		DIMENSION STYLE MM ONLY		SCALE NTS	DESIGN UNITS METRIC	THIRD ANGLE PROJECTION
			mm	INCH	DRAWN BY VSKHOANG	DATE 2004/02/10	TITLE DDR DIMM, 1.27MM PITCH 184 CKTS, LIGHTPIPE VERTICAL PRESS-FIT	
		4 PLACES ± ---	± ---	CHECKED BY PTL IM	DATE 2004/02/10	MOLEX INCORPORATED 		
		3 PLACES ± ---	± ---	APPROVED BY SKTOH	DATE 2004/02/10		MATERIAL NO. SEE TABLE	
2 PLACES ± 0.20	± ---	DRAFT WHERE APPLICABLE MUST REMAIN WITHIN DIMENSIONS		DOCUMENT NO. SD-87693-202	SHEET NO. 5 OF 5			
1 PLACE ± ---	± ---			THIS DRAWING CONTAINS INFORMATION THAT IS PROPRIETARY TO MOLEX INCORPORATED AND SHOULD NOT BE USED WITHOUT WRITTEN PERMISSION				