

Excellent Integrated System Limited

Stocking Distributor

Click to view price, real time Inventory, Delivery & Lifecycle Information:

[Molex Connector Corporation](#)
[0877050051](#)

For any questions, you can email us directly:

sales@integrated-circuit.com

10 9 8 7 6 5 4 3 2 1

NOTES:

1. MATERIALS

HOUSING - HIGH TEMP. NYLON GLASS FILLED, UL 94V-0
COLOR: BLACK

EJECTOR - HIGH TEMP. NYLON GLASS FILLED, UL 94V-0
COLOR: SEE TABLE

TERMINAL - COPPER ALLOY

2. PLATING - SEE TABLE IN SHEET 5 & 6.

3. CARD SLOT ACCEPTS 1.27±0.10 MM MODULE THICKNESS.
(MEASURED OVER P.C. PADS)

4. RECOMMENDED MODULE LAYOUT SHALL BE AS PER JEDEC MO-237.
5. REFER TO PRODUCT SPEC. PS-87705-002 FOR PERFORMANCE SPECIFICATIONS.

6. PRODUCT SHALL BE PACKED IN TRAY.

7. PRODUCT SHALL HAVE DATE CODE STAMPED ON SIDE OF HOUSING.

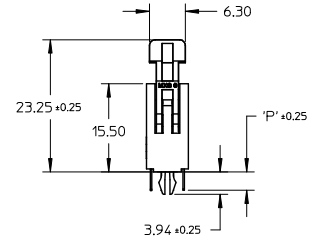
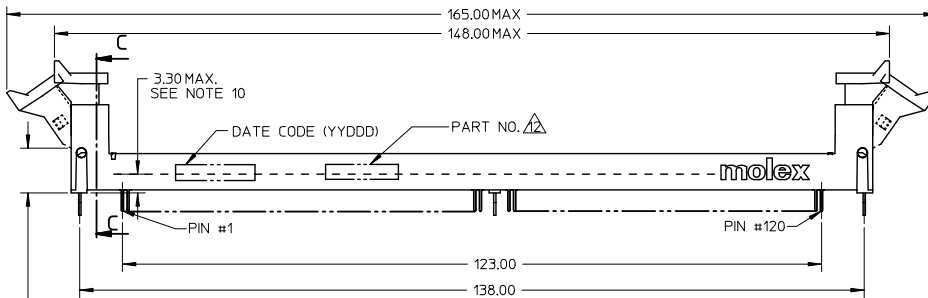
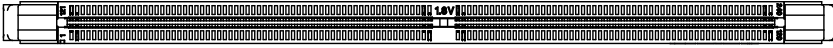
8. KEEP OUT AREA IS THE AREA WHERE THE CONNECTOR IS MOUNTED ONTO THE PCB WHICH DOES NOT INCLUDE THE LATCH.

9. REFER TO CRITICAL JEDEC INFORMATION FOR SOCKET OUTLINE PER SO-001.

10. DIMM MODULE SEATING PLANE FROM TOP OF PCB.

11. CONTACT MOLEX FOR AVAILABILITY OF PRODUCT OPTIONS.

△ PART NUMBER SHALL BE MARKED LEGIBLY AS 87705-****

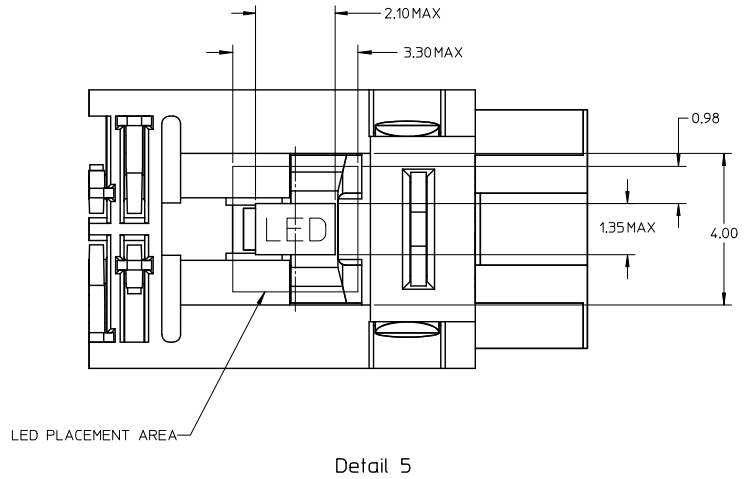
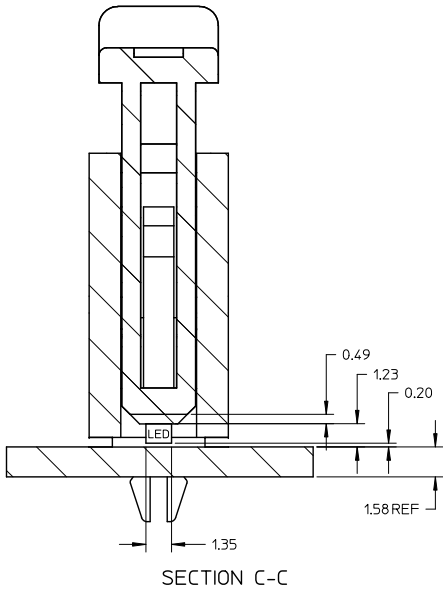
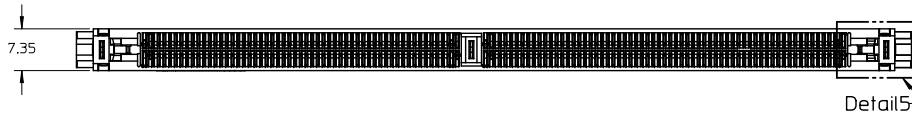


5.00MIN
LATCH KEEP
OUT AREA

ADDED OPTION EC NO: S2012-0025 DRAWN: CTEH CHKD: GGTAN APPR: SHLENI	2009/11/16	QUALITY SYMBOLS	GENERAL TOLERANCES (UNLESS SPECIFIED)		DIMENSION STYLE		SCALE	DESIGN UNITS	THIRD ANGLE PROJECTION	
	2011/07/14	▽=0	mm	INCH	MM ONLY		NTS	METRIC		
	2011/07/14	▽=0	4 PLACES ±---	±---	DRAWN BY	DATE	TITLE			
	2011/07/14	▽=0	3 PLACES ±---	±---	CGOH	2002/05/09	DDR2 DIMM, 100MM PITCH 240 CKTS (FORKLOCK VERSION)			
			2 PLACES ±0.20	±---	CHECKED BY	DATE	MOLEX INCORPORATED			
			1 PLACE ±---	±---	DSOH	2002/07/22				
			ANGULAR ± 5°		APPROVED BY	DATE				
			DRAFT WHERE APPLICABLE MUST REMAIN WITHIN DIMENSIONS		SKTOH	2002/07/23				
					MATERIAL NO.	SEE TABLE	DOCUMENT NO.		SD-87705-001	
					SIZE	THIS DRAWING CONTAINS INFORMATION THAT IS PROPRIETARY TO MOLEX INCORPORATED AND SHOULD NOT BE USED WITHOUT WRITTEN PERMISSION			SHEET NO. 1 OF 6	

9 8 7 6 5 4 3 2 1

10 9 8 7 6 5 4 3 2 1

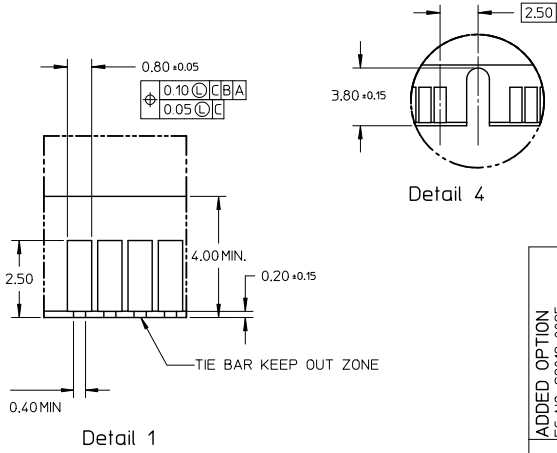
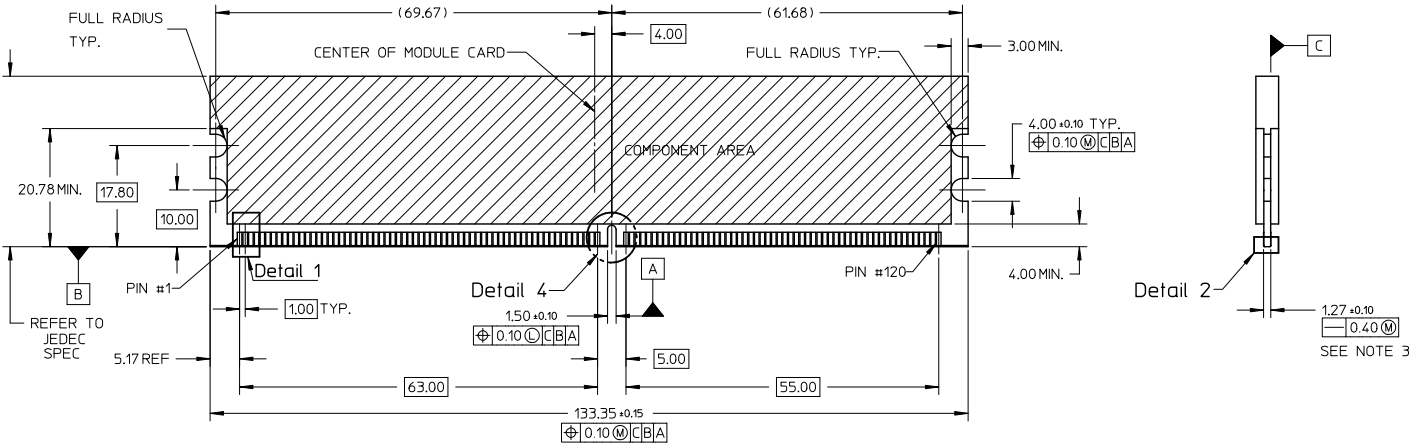


ADDED OPTION EC NO: S2012-0025 DRAWN/CHEK: 2009/11/16 CHKD:GGTAN 2011/07/14 APPR:SHLENI 2011/07/14	QUALITY SYMBOLS	GENERAL TOLERANCES (UNLESS SPECIFIED)		DIMENSION STYLE MM ONLY		SCALE NTS	DESIGN UNITS METRIC	THIRD ANGLE PROJECTION
	√=0	4 PLACES ± --- ± ---	mm	INCH	DRAWN BY CGOH	DATE 2002/05/09	TITLE DDR2 DIMM, 1.00MM PITCH 240 CKTS (FORKLOCK VERSION)	
	√=0	3 PLACES ± --- ± ---			CHECKED BY DSOH	DATE 2002/07/22	MOLEX INCORPORATED	
	√=0	2 PLACES ± 0.20 ± ---			APPROVED BY SKTOH	DATE 2002/07/23	DOCUMENT NO. SD-87705-001	SHEET NO. 2 OF 6
		1 PLACE ± --- ± ---			MATERIAL NO. SEE TABLE		THIS DRAWING CONTAINS INFORMATION THAT IS PROPRIETARY TO MOLEX INCORPORATED AND SHOULD NOT BE USED WITHOUT WRITTEN PERMISSION	
		ANGULAR ± 5 °						
		DRAFT WHERE APPLICABLE MUST REMAIN WITHIN DIMENSIONS						

9 8 7 6 5 4 3 2 1

10 9 8 7 6 5 4 3 2 1

RECOMMENDED MODULE LAYOUT



NOTES:
1. MODULE CARD USED FOR TESTS ARE WITH 0.10MM CHAMFER.

ADDED OPTION EC. NO.: S2012-0025 DRAWN BY: 2009/11/16 CHECKED: 2011/07/14 CHKD: GGTAN APPR: SHLENI 2011/07/14	QUALITY SYMBOLS	GENERAL TOLERANCES (UNLESS SPECIFIED)		DIMENSION STYLE MM ONLY		SCALE NTS	DESIGN UNITS METRIC	THIRD ANGLE PROJECTION
	√=0	4 PLACES ± --- ± ---	mm	INCH	DRAWN BY CGOH	DATE 2002/05/09	TITLE DDR2 DIMM, 100MM PITCH 240 CKTS (FORKLOCK VERSION)	
	√=0	3 PLACES ± --- ± ---			CHECKED BY DSOH	DATE 2002/07/22	MOLEX INCORPORATED	
	√=0	2 PLACES ± 0.20 ± ---			APPROVED BY SKTOH	DATE 2002/07/23	DOCUMENT NO. SD-87705-001	SHEET NO. 3 OF 6
		1 PLACE ± --- ± ---			MATERIAL NO. SEE TABLE		THIS DRAWING CONTAINS INFORMATION THAT IS PROPRIETARY TO MOLEX INCORPORATED AND SHOULD NOT BE USED WITHOUT WRITTEN PERMISSION	
		ANGULAR ± 5 °			DRAFT WHERE APPLICABLE MUST REMAIN WITHIN DIMENSIONS			

9 8 7 6 5 4 3 2 1

10 9 8 7 6 5 4 3 2 1

PART NO.	KEY POS.	DIM 'P'	RECOMMENDED PCB THICKNESS	PLATING OPTION	LATCH COLOR	LUBRICATION
87705-0021	CENTER (1.8V)	2.67	1.57	0.38µM / 15 µIN MIN. GOLD ON CONTACT, 2.54µM/ 100µIN MIN. TIN ON SOLDER TAILS, 1.27µM/ 50µIN MIN. NICKEL UNDERPLATE	NATURAL	NO
87705-1021		3.18	2.36			
87705-1053		3.66				
87705-0031		2.67	1.57	0.03µM / 1 µIN MIN. GOLD ON CONTACT, 2.54µM/ 100µIN MIN. TIN ON SOLDER TAILS, 1.27µM/ 50µIN MIN. NICKEL UNDERPLATE		
87705-1031		3.18	2.36			
87705-0051		2.67	1.57	0.76µM / 30 µIN MIN. GOLD ON CONTACT, 2.54µM/ 100µIN MIN. TIN ON SOLDER TAILS, 1.27µM/ 50µIN MIN. NICKEL UNDERPLATE		
87705-1051		3.18	2.36			
87705-3061						YES

ADDED OPTION EC NO: S2012-0025 DRAWN: CTEH 2009/11/16 CHKD: GGTAN 2011/07/14 APPR: SHLENI 2011/07/14 REV:	QUALITY SYMBOLS	GENERAL TOLERANCES (UNLESS SPECIFIED)	DIMENSION STYLE	SCALE	DESIGN UNITS	THIRD ANGLE PROJECTION
	$\sqrt{\text{---}}=0$ $\sqrt{\text{---}}=0$ $\sqrt{\text{---}}=0$	4 PLACES ± --- ± --- 3 PLACES ± --- ± --- 2 PLACES ± 0.20 ± --- 1 PLACE ± --- ± --- ANGULAR ± 5 °	MM ONLY	NTS	METRIC	
	DRAWN BY: CGOH DATE: 2002/05/09 CHECKED BY: DSOH DATE: 2002/07/22 APPROVED BY: SKTOH DATE: 2002/07/23	MATERIAL NO. SEE TABLE SIZE: A3 THIS DRAWING CONTAINS INFORMATION THAT IS PROPRIETARY TO MOLEX INCORPORATED AND SHOULD NOT BE USED WITHOUT WRITTEN PERMISSION	TITLE	DOCUMENT NO.	SHEET NO.	
	DDR2 DIMM, 1.00MM PITCH 240 CKTS (FORKLOCK VERSION) MOLEX INCORPORATED SD-87705-001 5 OF 6					

9 8 7 6 5 4 3 2 1

10 9 8 7 6 5 4 3 2 1

PART NO.	KEY POS.	DIM 'P'	RECOMMENDED PCB THICKNESS	PLATING OPTION	LATCH COLOR
87705-5051	CENTER (1.8V)	2.67	1.57	0.76µM / 30 µIN MIN. GOLD ON CONTACT, 2.54µM/ 100µIN MIN. TIN ON SOLDER TAILS, 1.27µM/ 50µIN MIN. NICKEL UNDERPLATE	CLEAR
87705-5151		3.18	2.36		
87705-6151		3.18	2.36	0.38µM / 15 µIN MIN. GOLD ON CONTACT, 2.54µM/ 100µIN MIN. TIN ON SOLDER TAILS, 1.27µM/ 50µIN MIN. NICKEL UNDERPLATE	
87705-9101		2.67	1.57	0.38µM / 15 µIN MIN. GOLD ON CONTACT, 2.54µM/ 100µIN MIN. TIN ON SOLDER TAILS, 1.27µM/ 50µIN MIN. NICKEL UNDERPLATE	

ADDED OPTION EC NO: S2012-0025 DRAWN: CTEH 2009/11/16 CHKD: GGTAN 2011/07/14 APPR: SHLENI 2011/07/14 REV: D2	QUALITY SYMBOLS	GENERAL TOLERANCES (UNLESS SPECIFIED)	DIMENSION STYLE MM ONLY	SCALE NTS	DESIGN UNITS METRIC	THIRD ANGLE PROJECTION	
	$\nabla=0$ $\nabla=0$ $\nabla=0$	4 PLACES ± --- ± --- 3 PLACES ± --- ± --- 2 PLACES ± 0.20 ± --- 1 PLACE ± --- ± --- ANGULAR ± 5 °	DRAWN BY: CGOH DATE: 2002/05/09 CHECKED BY: DSOH DATE: 2002/07/22 APPROVED BY: SKTOH DATE: 2002/07/23	TITLE			
		DRAFT WHERE APPLICABLE MUST REMAIN WITHIN DIMENSIONS	MATERIAL NO. SEE TABLE	MOLEX INCORPORATED	DOCUMENT NO. SD-87705-001	SHEET NO. 6 OF 6	
			SIZE: A3	THIS DRAWING CONTAINS INFORMATION THAT IS PROPRIETARY TO MOLEX INCORPORATED AND SHOULD NOT BE USED WITHOUT WRITTEN PERMISSION			

9 8 7 6 5 4 3 2 1