

## Excellent Integrated System Limited

Stocking Distributor

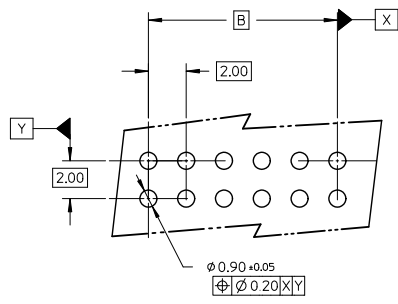
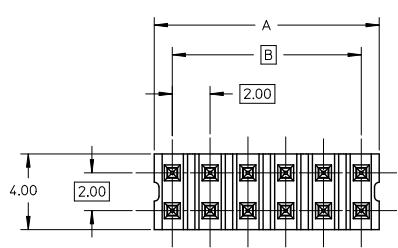
Click to view price, real time Inventory, Delivery & Lifecycle Information:

[Molex Connector Corporation](#)  
[0877583050](#)

For any questions, you can email us directly:

[sales@integrated-circuit.com](mailto:sales@integrated-circuit.com)

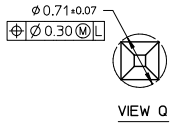
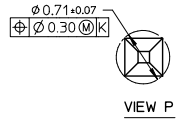
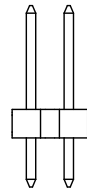
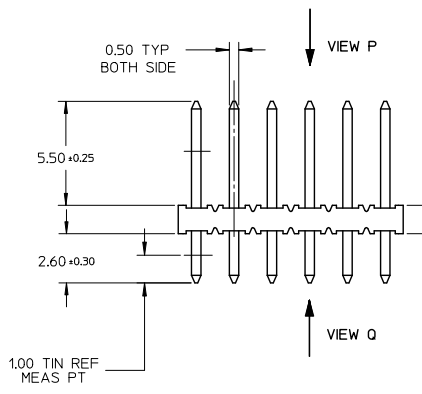
10 9 8 7 6 5 4 3 2 1



**LEGEND**  
87758- \*\* \* 5\*  
CKT SIZE (SEE SHT 2 TABLE) PLATING (SEE NOTE 2)

**NOTES:**

1. MATERIAL:  
HOUSING: 30% G.F. NYLON 46, 94V-0, COLOR: BLACK  
PIN: 0.50mm SQ. PHOSPHOR BRONZE 510
2. PLATING:  
\*\*50 - 0.38um MIN GOLD IN CONTACT AREA, TIN IN SOLDER AREA, BOTH OVER NICKEL OVERALL.  
\*\*51 - 0.05-0.25um GOLD IN CONTACT AREA, TIN IN SOLDER AREA, BOTH OVER NICKEL OVERALL.
3. 12 CKT USED FOR ILLUSTRATION ONLY
4. PACKED IN POCKET TRAY
5. PIN PUSHOUT FORCE: 1KG MIN IN EITHER DIRECTION
6. CKT 4 AND 6 IS CUT FROM CKT 8 AND 12 RESPECTIVELY. CKT 2 ARE CUT FROM ANY LARGER CKT SIZE. ROUGH EDGES ARE EXPECTED ALONG THE CUTTING EDGES.
7. PRODUCT SPEC PS-87761-100 APPLIES.



ADD AU FLASH OPTION EC NO: S2011-1004 DRWN:SKANG CHKD:ATSEE APPR:PLONG	2011/06/03	2011/06/11	2011/06/14	QUALITY SYMBOLS ▽=0 ▽=0 ▽=0	GENERAL TOLERANCES (UNLESS SPECIFIED)		DIMENSION STYLE		SCALE	DESIGN UNITS	THIRD ANGLE PROJECTION
					mm	INCH	MM ONLY	NTS	METRIC		
	4 PLACES ± --- ± ---		DRAWN BY DATE		TITLE						
	3 PLACES ± --- ± ---		KSEE 2003/10/30		2MM DUAL ROW SINGLE WAFER, VERTICAL THROUGH HOLE HEADER						
2 PLACES ± 0.2 ± ---		CHECKED BY DATE		MATERIAL NO.		MOLEX INCORPORATED		DOCUMENT NO.		SHEET NO. 1 OF 2	
1 PLACE ± --- ± ---		APPROVED BY DATE		SEE TABLE		SD-87758-112					
ANGULAR ± 3 °		SKTOH 2004/01/05		THIS DRAWING CONTAINS INFORMATION THAT IS PROPRIETARY TO MOLEX INCORPORATED AND SHOULD NOT BE USED WITHOUT WRITTEN PERMISSION							

9 8 7 6 5 4 3 2 1

10 9 8 7 6 5 4 3 2 1

F

E

D

C

B

A

F

E

D

C

B

A

PART NUMBER	CKT SIZE	A	B
87758-0450	4	NA	2.00
87758-0650	6	NA	4.00
87758-0850	8	7.90	6.00
87758-1050	10	9.90	8.00
87758-1250	12	11.90	10.00
87758-1450	14	13.90	12.00
87758-1650	16	15.90	14.00
87758-1850	18	17.90	16.00
87758-2050	20	19.90	18.00
87758-2250	22	21.90	20.00
87758-2450	24	23.90	22.00
87758-2650	26	25.90	24.00
87758-2850	28	27.90	26.00
87758-3050	30	29.90	28.00
87758-3250	32	31.90	30.00
87758-3450	34	33.90	32.00
87758-3650	36	35.90	34.00
87758-3850	38	37.90	36.00
87758-4050	40	39.90	38.00
87758-4250	42	41.90	40.00
87758-4450	44	43.90	42.00
87758-4650	46	45.90	44.00
87758-4850	48	47.90	46.00
87758-5050	50	49.90	48.00

<b>ADD AU FLASH OPTION</b> EC NO. S2011-1004 DRAWN:SKANG 2011/06/03 CHKD:ATSEE 2011/06/14 APPR:MLONG 2011/06/14	QUALITY SYMBOLS $\nabla=0$ $\nabla=0$ $\nabla=0$	GENERAL TOLERANCES (UNLESS SPECIFIED) <table border="1"> <tr><th colspan="2">mm</th><th>INCH</th></tr> <tr><td>4 PLACES</td><td>± .005</td><td>± .0004</td></tr> <tr><td>3 PLACES</td><td>± .005</td><td>± .0004</td></tr> <tr><td>2 PLACES</td><td>± 0.2</td><td>± .008</td></tr> <tr><td>1 PLACE</td><td>± .005</td><td>± .0004</td></tr> </table>	mm		INCH	4 PLACES	± .005	± .0004	3 PLACES	± .005	± .0004	2 PLACES	± 0.2	± .008	1 PLACE	± .005	± .0004	DIMENSION STYLE <b>MM ONLY</b> DRAWN BY: KSEE DATE: 2003/10/30 CHECKED BY: KCLING DATE: 2004/01/05 APPROVED BY: SKTOH DATE: 2004/01/05	SCALE: NTS DESIGN UNITS: METRIC THIRD ANGLE PROJECTION	TITLE: <b>2MM DUAL ROW SINGLE WAFER, VERTICAL THROUGH HOLE HEADER</b> <b>MOLEX INCORPORATED</b>
	mm		INCH																	
	4 PLACES	± .005	± .0004																	
	3 PLACES	± .005	± .0004																	
2 PLACES	± 0.2	± .008																		
1 PLACE	± .005	± .0004																		
MATERIAL NO. SEE TABLE DRAFT WHERE APPLICABLE MUST REMAIN WITHIN DIMENSIONS	DOCUMENT NO. SD-87758-112 SHEET NO. 2 OF 2	THIS DRAWING CONTAINS INFORMATION THAT IS PROPRIETARY TO MOLEX INCORPORATED AND SHOULD NOT BE USED WITHOUT WRITTEN PERMISSION																		

9 8 7 6 5 4 3 2 1