

Excellent Integrated System Limited

Stocking Distributor

Click to view price, real time Inventory, Delivery & Lifecycle Information:

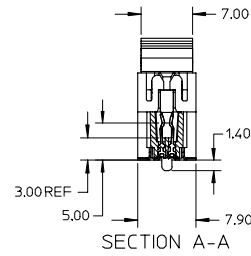
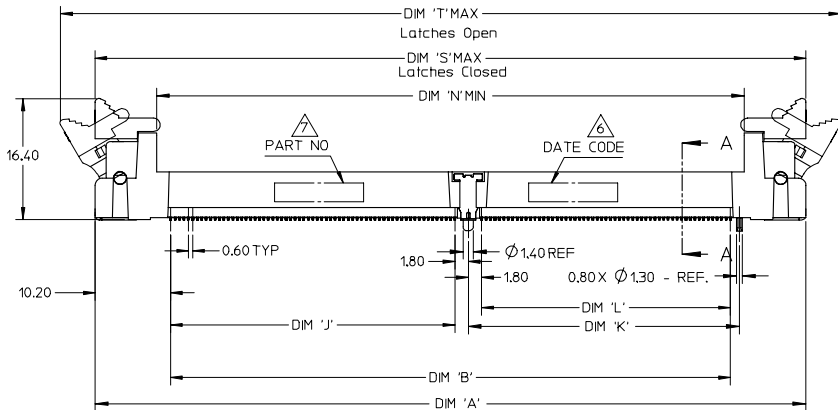
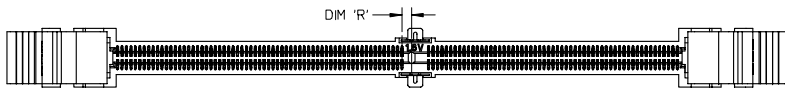
[Molex Connector Corporation](#)
[0877822002](#)

For any questions, you can email us directly:

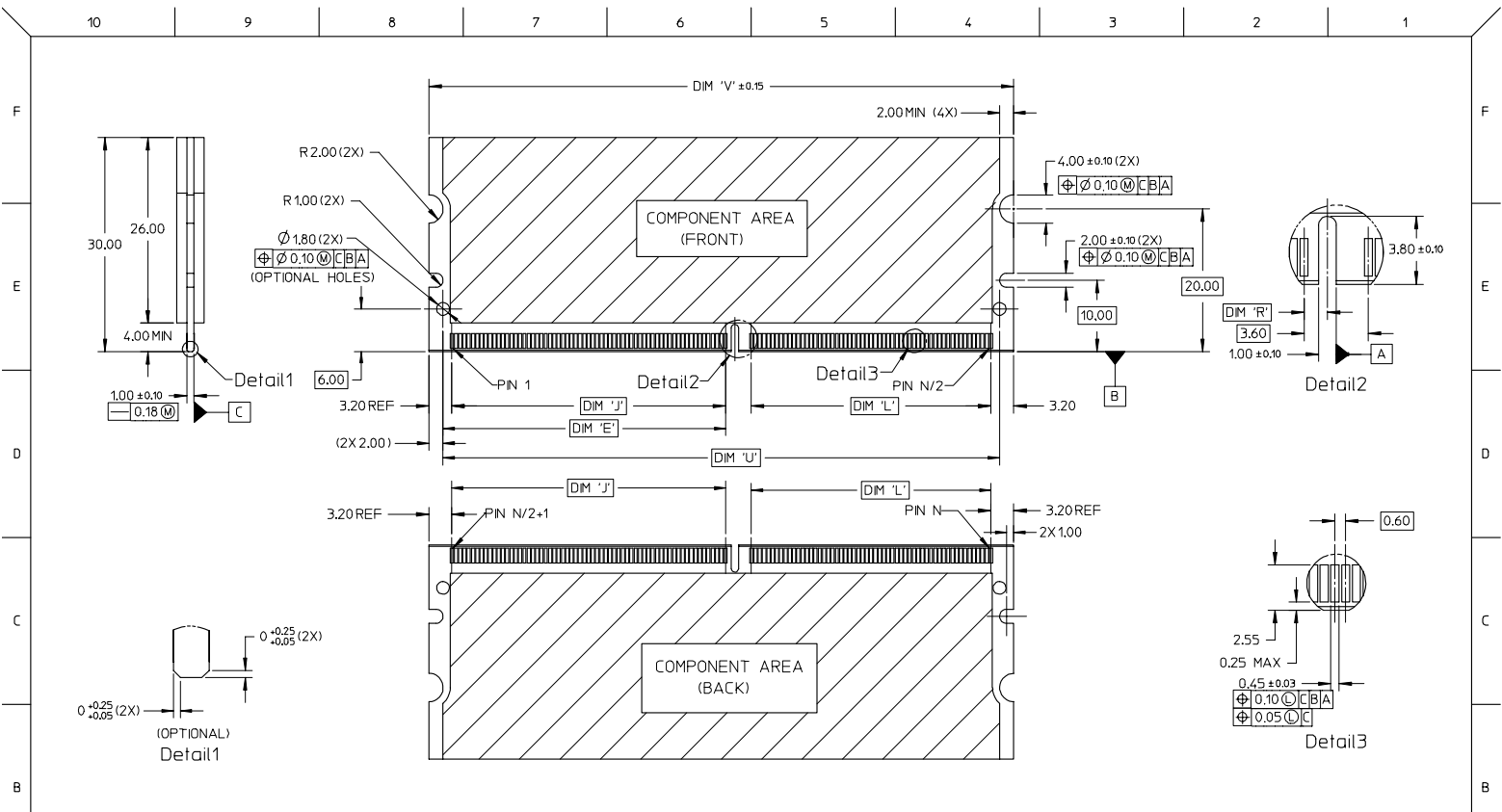
sales@integrated-circuit.com

NOTES :

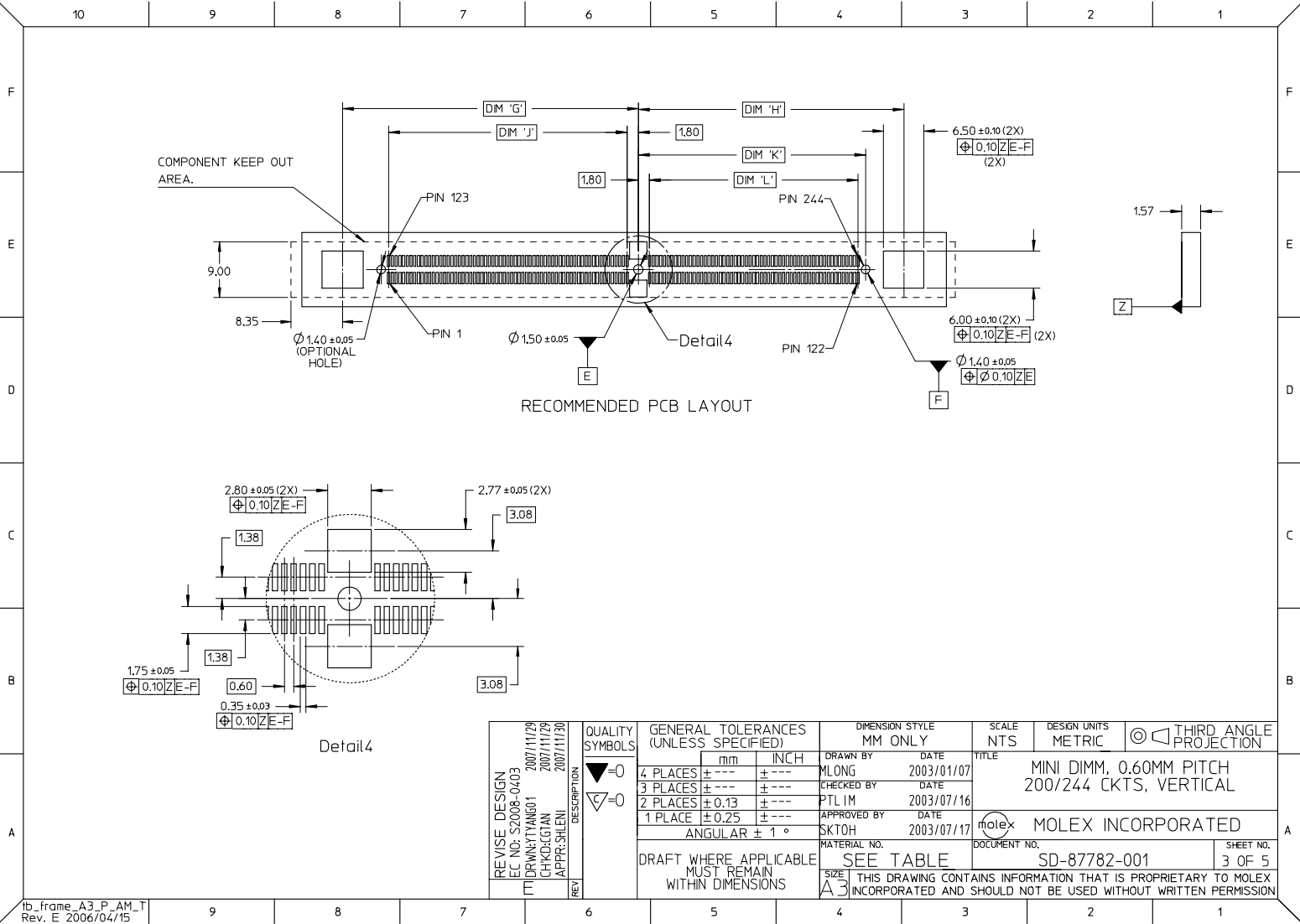
1. MATERIAL :
HOUSING : LIQUID CRYSTAL POLYMER, GLASS FILLED, UL 94V-0, COLOUR : BLACK
CONTACTS : COPPER ALLOY
LATCHES : HIGH TEMPERATURE NYLON, UL 94V-0
COLOUR : NATURAL (OFF-WHITE)
2. FINISH
CONTACT AREA : 0.76 MICROMETER (30 MICRONCH) MIN GOLD OVER
1.25 MICROMETER (50 MICRONCH) MIN NICKEL
SMT TAIL : 2.54 MICROMETER (100 MICRONCH) MIN TIN OVER
1.25 MICROMETER (50 MICRONCH) MIN NICKEL.
3. ACCEPTS 1.0 mm THICK MEMORY MODULE PER JEDEC MO-244 FOR 244 CKTS AND MO-258 FOR 200 CKTS.
4. PRODUCT SPECIFICATION : PS-87782-027
5. PRODUCT SHALL BE PACKED IN TRAY. PLS REFER TO SHEET 5
6. DATE CODE SHALL BE MARKED LEGIBLY AS SHOWN : YYDD
7. PART NUMBER SHALL BE MARKED LEGIBLY AS SHOWN. 87782-XXXX (REFER TO TABLE)



REVISE DESIGN EC NO: S2008-0403 DRAWN BY: YANG01 CHKD BY: CHAN APPR: SILEN	DESCRIPTION 2007/11/28 2007/11/29 2007/11/30	QUALITY SYMBOLS	GENERAL TOLERANCES (UNLESS SPECIFIED)	DIMENSION STYLE MM ONLY	SCALE NTS	DESIGN UNITS METRIC	THIRD ANGLE PROJECTION	
		▽=0 ▽=0	4 PLACES ± --- ± --- 3 PLACES ± --- ± --- 2 PLACES ± 0.13 ± --- 1 PLACE ± 0.25 ± --- ANGULAR ± 1 °	DRAWN BY: MLONG CHECKED BY: PTLIM APPROVED BY: SKTOH DATE: 2003/01/07 DATE: 2003/07/16 DATE: 2003/07/17	TITLE	MINI DIMM, 0.60MM PITCH 200/244 CKTS, VERTICAL		
		DRAFT WHERE APPLICABLE MUST REMAIN WITHIN DIMENSIONS	MATERIAL NO. SEE TABLE	MOLEX INCORPORATED	DOCUMENT NO. SD-87782-001	SHEET NO.	1 OF 5	
		THIS DRAWING CONTAINS INFORMATION THAT IS PROPRIETARY TO MOLEX INCORPORATED AND SHOULD NOT BE USED WITHOUT WRITTEN PERMISSION						

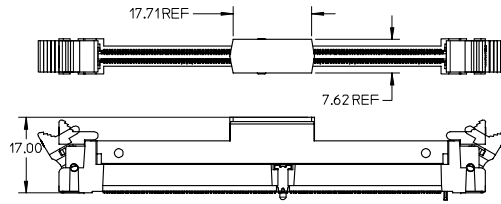


REVISE DESIGN EC NO: S2008-0403 DRAWN: YANG01 CHKD: CGJAN APPR: SILEN	2007/11/29 2007/11/29 2007/11/30	DESCRIPTION QUALITY SYMBOLS ▽=0 ▽=0	GENERAL TOLERANCES (UNLESS SPECIFIED)		DIMENSION STYLE MM ONLY		SCALE	DESIGN UNITS	THIRD ANGLE PROJECTION
			4 PLACES	± ---	± ---	LONG	DATE	MINI DIMM, 0.60MM PITCH 200/244 CKTS, VERTICAL	
			3 PLACES	± ---	± ---	CHECKED BY	DATE		
			2 PLACES	± 0.13	± ---	PTL IM	2003/07/16		
1 PLACE	± 0.25	± ---	APPROVED BY	DATE					
ANGULAR ± 1 °			DRAFT WHERE APPLICABLE MUST REMAIN WITHIN DIMENSIONS		MATERIAL NO. SEE TABLE		MOLEX INCORPORATED	DOCUMENT NO. SD-87782-001	SHEET NO. 2 OF 5



10 9 8 7 6 5 4 3 2 1

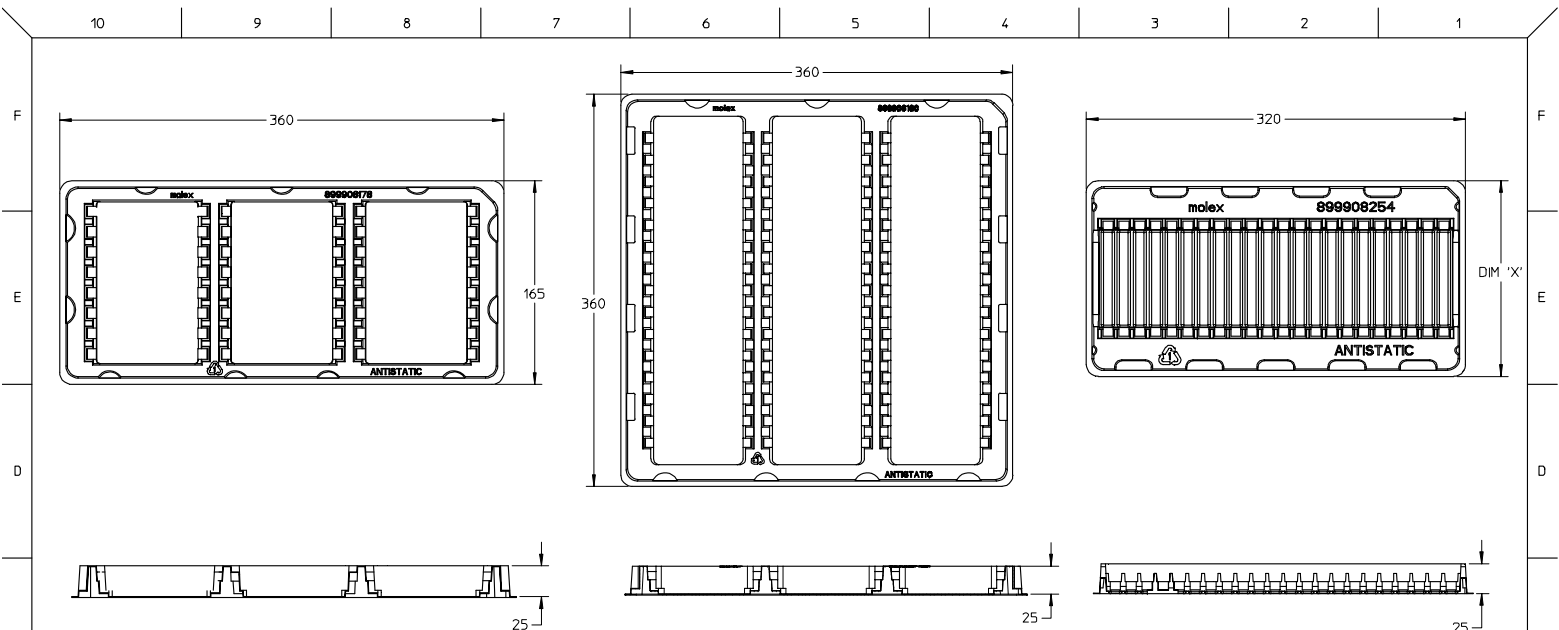
FOR OPTIONS WITH COVER



CKT SIZE 'N'	PART NUMBER	VOLTAGE KEY	DIM 'R'	DIM 'J'	DIM 'K'	DIM 'L'	DIM 'N'	DIM 'A'	DIM 'S'	DIM 'T'	DIM 'E'	DIM 'U'	DIM 'V'	DIM 'G'	DIM 'H'	DIM 'B'	COVER	TRAY
244	87782-2001	1.8 V	1.30	38.40	36.60	33.60	79.00	96.00	96.00	106.20	39.60	78.00	82.00	47.60	42.75	75.60	NIL	TYPE A
	87782-2002	2.5 V	2.30															
244	87782-2003	1.8 V	1.30	38.40	36.60	33.60	79.00	96.00	96.00	106.20	39.60	78.00	82.00	47.60	42.75	75.60	YES	TYPE B
	87782-2004	2.5 V	2.30															
244	87782-2005	1.8 V	1.30	38.40	36.60	33.60	79.00	96.00	96.00	106.20	39.60	78.00	82.00	47.60	42.75	75.60	YES	TYPE A
	87782-2006	2.5 V	2.30															
244	87782-2007	1.8 V	1.30	38.40	36.60	33.60	79.00	96.00	96.00	106.20	39.60	78.00	82.00	47.60	42.75	75.60	YES	TYPE C
	87782-2008	2.5 V	2.30															
244	87782-2009	1.8 V	1.30	38.40	36.60	33.60	79.00	96.00	96.00	106.20	39.60	78.00	82.00	47.60	42.75	75.60	YES	TYPE D
	87782-2010	2.5 V	2.30															
200	87782-2201	1.8 V	1.30	23.40	38.40	35.40	65.80	82.80	82.80	93.00	24.60	64.80	68.80	32.60	44.55	62.40	NIL	TYPE A
	87782-2202	2.5 V	2.30															
200	87782-2203	1.8 V	1.30	23.40	38.40	35.40	65.80	82.80	82.80	93.00	24.60	64.80	68.80	32.60	44.55	62.40	YES	TYPE A
	87782-2204	2.5 V	2.30															

REVISE DESIGN EC NO: S2008-0403 DRAWN BY: YANG01 CHKD BY: CHAN APPR: SHLEN 2007/11/28 2007/11/29 2007/11/30	QUALITY SYMBOLS ▽=0 ▽=0	GENERAL TOLERANCES (UNLESS SPECIFIED)		DIMENSION STYLE MM ONLY		SCALE NTS	DESIGN UNITS METRIC	THIRD ANGLE PROJECTION
		4 PLACES ± --- ± --- 3 PLACES ± --- ± --- 2 PLACES ± 0.13 ± --- 1 PLACE ± 0.25 ± ---	mm INCH	DRAWN BY MLONG	DATE 2003/01/07	TITLE MINI DIMM, 0.60MM PITCH 200/244 CKTS, VERTICAL		
		ANGULAR ± 1 °		CHECKED BY PTL IM	DATE 2003/07/16	MOLEX INCORPORATED		
		DRAFT WHERE APPLICABLE MUST REMAIN WITHIN DIMENSIONS		APPROVED BY SKTOH	DATE 2003/07/17	MATERIAL NO. SEE TABLE	DOCUMENT NO. SD-87782-001	

9 8 7 6 5 4 3 2 1



TRAY TYPE A
QTY OF CAVITY: 3 X 8 = 24 PCS
COLOUR: TRANSPARENT

TRAY TYPE B
QTY OF CAVITY: 3 X 15 = 45 PCS
COLOUR: TRANSPARENT

TRAY TYPE AND COLOUR - SEE TABLE
QTY OF CAVITY: 1 X 22 = 22 PCS
COLOUR - SEE TABLE

TRAY TYPE	DIM 'X'	TRAY COLOUR
C	165	TRANSPARENT
D	160	WHITE

REVISE DESIGN EC NO: S2008-0403 DRAWN BY: YANIG01 CHKD BY: GIGIAN APPR: SILEN	DESCRIPTION 2007/11/29 2007/11/29	QUALITY SYMBOLS	GENERAL TOLERANCES (UNLESS SPECIFIED)	DIMENSION STYLE	SCALE	DESIGN UNITS	THIRD ANGLE PROJECTION																	
		$\nabla=0$ $\nabla=0$	<table border="1"> <thead> <tr> <th></th> <th>mm</th> <th>INCH</th> </tr> </thead> <tbody> <tr> <td>4 PLACES</td> <td>± 0.15</td> <td>± 0.006</td> </tr> <tr> <td>3 PLACES</td> <td>± 0.20</td> <td>± 0.008</td> </tr> <tr> <td>2 PLACES</td> <td>± 0.25</td> <td>± 0.010</td> </tr> <tr> <td>1 PLACE</td> <td>± 0.30</td> <td>± 0.012</td> </tr> </tbody> </table>		mm	INCH	4 PLACES	± 0.15	± 0.006	3 PLACES	± 0.20	± 0.008	2 PLACES	± 0.25	± 0.010	1 PLACE	± 0.30	± 0.012	MM ONLY	NTS	METRIC	DRAWN BY: MLONG CHECKED BY: PTL IM APPROVED BY: SKTOH	DATE: 2003/01/07 DATE: 2003/07/16 DATE: 2003/07/17	TITLE: MINI DIMM, 0.60MM PITCH 200/244 CKTS, VERTICAL
			mm	INCH																				
		4 PLACES	± 0.15	± 0.006																				
3 PLACES	± 0.20	± 0.008																						
2 PLACES	± 0.25	± 0.010																						
1 PLACE	± 0.30	± 0.012																						
MATERIAL NO. SEE TABLE	DOCUMENT NO. SD-87782-001	SHEET NO. 5 OF 5																						
DRAFT WHERE APPLICABLE MUST REMAIN WITHIN DIMENSIONS																								