

Excellent Integrated System Limited

Stocking Distributor

Click to view price, real time Inventory, Delivery & Lifecycle Information:

[Molex Connector Corporation](#)
[0877822201](#)

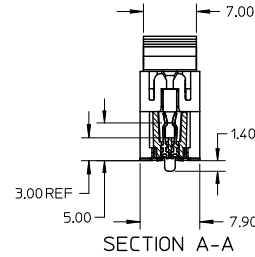
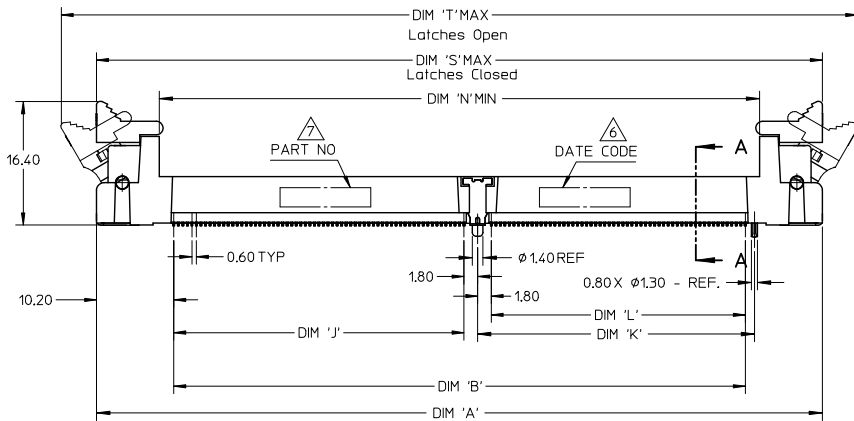
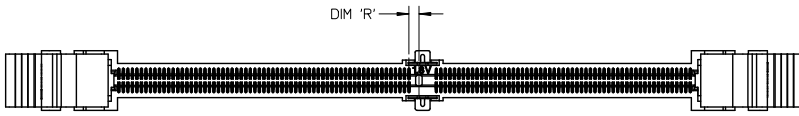
For any questions, you can email us directly:

sales@integrated-circuit.com

10 9 8 7 6 5 4 3 2 1

NOTES :

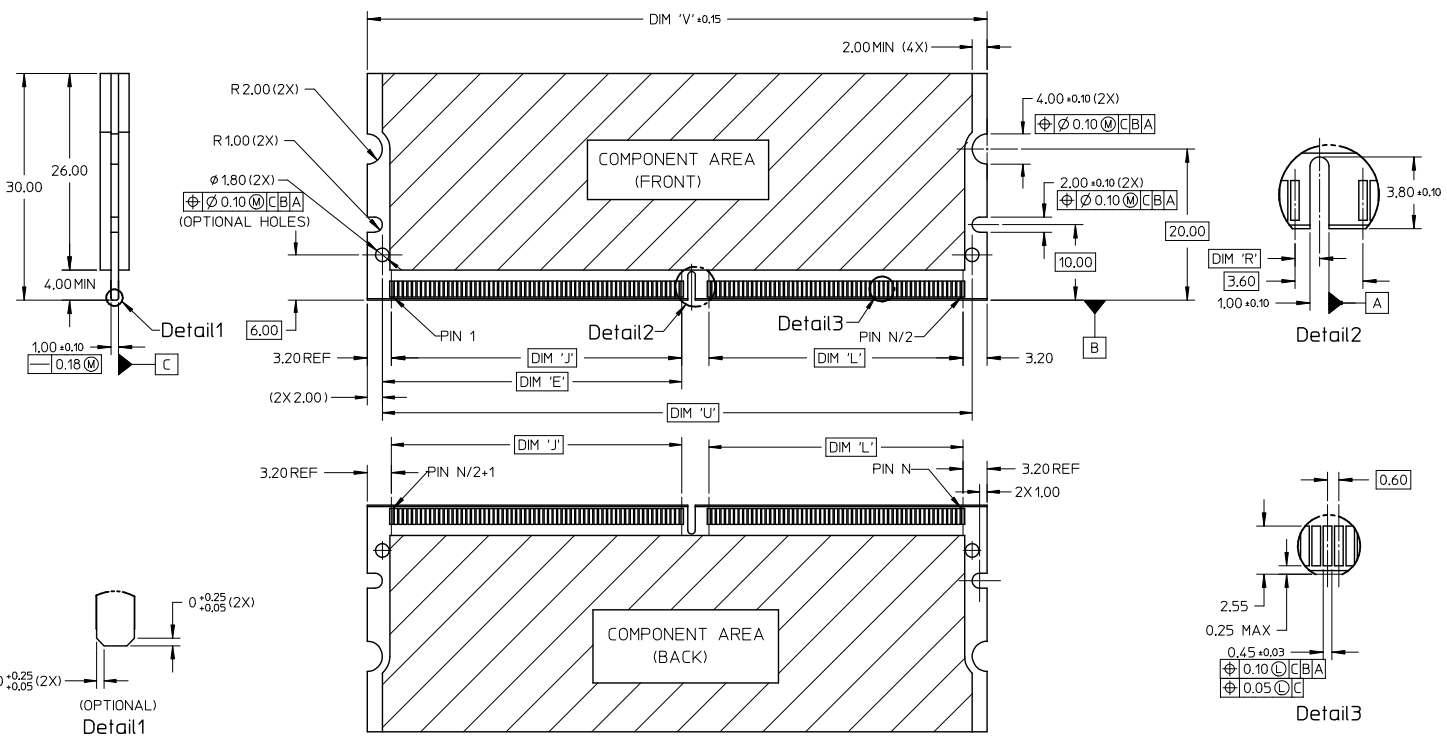
1. MATERIAL :
HOUSING : LIQUID CRYSTAL POLYMER, GLASS FILLED,
UL 94V-0, COLOUR : BLACK
CONTACTS : COPPER ALLOY
LATCHES : HIGH TEMPERATURE NYLON, UL 94V-0
COLOUR : NATURAL (OFF-WHITE)
2. FINISH
CONTACT AREA : 0.76 MICROMETER (30 MICROINCH) MIN GOLD OVER
1.25 MICROMETER (50 MICROINCH) MIN NICKEL
SMT TAIL : 2.54 MICROMETER (100 MICROINCH) MIN TIN OVER
1.25 MICROMETER (50 MICROINCH) MIN NICKEL
3. ACCEPTS 1.0 mm THICK MEMORY MODULE PER JEDEC MO-244
FOR 244 CKTS AND MO-258 FOR 200 CKTS.
4. PRODUCT SPECIFICATION : PS-87782-027
5. PRODUCT SHALL BE PACKED IN TRAY. PLS REFER TO SHEET 5
6. DATE CODE SHALL BE MARKED LEGIBLY AS SHOWN : YYDDD
7. PART NUMBER SHALL BE MARKED LEGIBLY AS SHOWN.
87782-XXXX (REFER TO TABLE)



UPDATE DIMENSION EC NO: S2013-0123 DRW: NKSOR CHK: DGTAN APPR: SILENI 2012/09/05 2012/09/12 2012/09/18	QUALITY SYMBOLS ▽=0 ▽=0	GENERAL TOLERANCES (UNLESS SPECIFIED)		DIMENSION STYLE MM ONLY		SCALE NTS	DESIGN UNITS METRIC	THIRD ANGLE PROJECTION	
		4 PLACES ± --- ± ---	mm INCH	DRAWN BY MLONG	DATE 2003/01/07	TITLE MINI DIMM, 0.60MM PITCH 200/244 CKTS, VERTICAL			
		3 PLACES ± --- ± ---		CHECKED BY PTLIM	DATE 2003/07/16	MOLEX INCORPORATED			
		2 PLACES ± 0.13 ± --- 1 PLACE ± 0.25 ± --- ANGULAR ± 1 °		APPROVED BY SKTOH	DATE 2003/07/17	MATERIAL NO. SEE TABLE	DOCUMENT NO. SD-87782-001	SHEET NO. 1 OF 5	

9 8 7 6 5 4 3 2 1

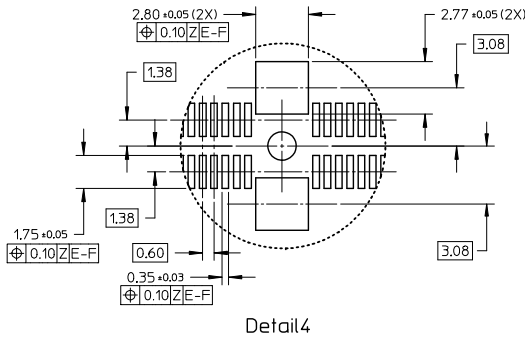
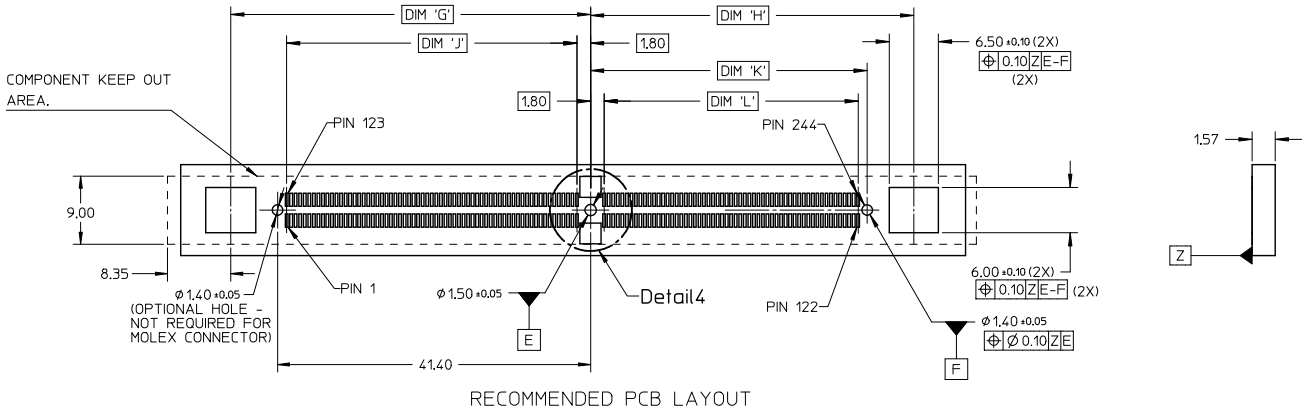
10 9 8 7 6 5 4 3 2 1



UPDATE DIMENSION EC NO: S2013-0123 DRAWN BY: DRW:KSKOH CHECKED BY: CHYK:LGITAN APPR: SHILENI 2012/09/05 2012/09/12 2012/09/16	QUALITY SYMBOLS $\nabla=0$ $\nabla=0$	GENERAL TOLERANCES (UNLESS SPECIFIED) <table border="1"> <tr> <th></th> <th>mm</th> <th>INCH</th> </tr> <tr> <td>4 PLACES</td> <td>± ---</td> <td>± ---</td> </tr> <tr> <td>3 PLACES</td> <td>± ---</td> <td>± ---</td> </tr> <tr> <td>2 PLACES</td> <td>± 0.13</td> <td>± ---</td> </tr> <tr> <td>1 PLACE</td> <td>± 0.25</td> <td>± ---</td> </tr> <tr> <td colspan="3">ANGULAR ± 1°</td> </tr> </table>		mm	INCH	4 PLACES	± ---	± ---	3 PLACES	± ---	± ---	2 PLACES	± 0.13	± ---	1 PLACE	± 0.25	± ---	ANGULAR ± 1°			DIMENSION STYLE MM ONLY	SCALE NTS	DESIGN UNITS METRIC	THIRD ANGLE PROJECTION
		mm	INCH																					
	4 PLACES	± ---	± ---																					
	3 PLACES	± ---	± ---																					
2 PLACES	± 0.13	± ---																						
1 PLACE	± 0.25	± ---																						
ANGULAR ± 1°																								
			DRAWN BY: MLONG DATE: 2003/01/07 CHECKED BY: PTLIM DATE: 2003/07/16 APPROVED BY: SKTOH DATE: 2003/07/17	TITLE MINI DIMM, 0.60MM PITCH 200/244 CKTS, VERTICAL	MOLEX INCORPORATED																			
		DRAFT WHERE APPLICABLE MUST REMAIN WITHIN DIMENSIONS	MATERIAL NO. SEE TABLE	DOCUMENT NO. SD-87782-001	SHEET NO. 2 OF 5																			
			THIS DRAWING CONTAINS INFORMATION THAT IS PROPRIETARY TO MOLEX INCORPORATED AND SHOULD NOT BE USED WITHOUT WRITTEN PERMISSION																					

9 8 7 6 5 4 3 2 1

10 9 8 7 6 5 4 3 2 1



RECOMMENDED PCB LAYOUT

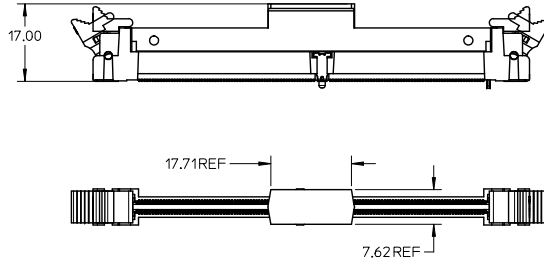
Detail 4

UPDATE DIMENSION EC NO: S2013-0123 DRAWN BY: DRWNEKSOH CHKD: GGTAN APPR: SILENI DATE: 2012/09/05 DATE: 2012/09/12 DATE: 2012/09/18	QUALITY SYMBOLS ▽=0 ▽=0	GENERAL TOLERANCES (UNLESS SPECIFIED) 4 PLACES ± --- ± --- 3 PLACES ± --- ± --- 2 PLACES ± 0.13 ± --- 1 PLACE ± 0.25 ± --- ANGULAR ± 1 °	DIMENSION STYLE MM ONLY DRAWN BY: MLONG CHECKED BY: PTLIM APPROVED BY: SKTOH DATE: 2003/01/07 DATE: 2003/07/16 DATE: 2003/07/17	SCALE: NTS DESIGN UNITS: METRIC THIRD ANGLE PROJECTION	TITLE: MINI DIMM, 0.60MM PITCH 200/244 CKTS, VERTICAL MOLEX INCORPORATED DOCUMENT NO. SD-87782-001 SHEET NO. 3 OF 5	
	DRAFT WHERE APPLICABLE MUST REMAIN WITHIN DIMENSIONS	MATERIAL NO. SEE TABLE	MOLEX INCORPORATED THIS DRAWING CONTAINS INFORMATION THAT IS PROPRIETARY TO MOLEX INCORPORATED AND SHOULD NOT BE USED WITHOUT WRITTEN PERMISSION			
	SIZE: A3					
	INCORPORATED AND SHOULD NOT BE USED WITHOUT WRITTEN PERMISSION					

9 8 7 6 5 4 3 2 1

10 9 8 7 6 5 4 3 2 1

FOR OPTIONS WITH COVER



UPDATE DIMENSION EC NO: S2013-0123 DRAWN BY: DRW:NEKSOH CHKD: GGTAN APPR: SHLENI 2012/09/05 2012/09/12 2012/09/18	QUALITY SYMBOLS ▽=0 ▽=0	GENERAL TOLERANCES (UNLESS SPECIFIED)		DIMENSION STYLE MM ONLY		SCALE NTS	DESIGN UNITS METRIC	THIRD ANGLE PROJECTION	
		4 PLACES ± --- ± ---	DRAWN BY MLONG	DATE 2003/01/07	TITLE MINI DIMM, 0.60MM PITCH 200/244 CKTS, VERTICAL				
		3 PLACES ± --- ± ---	CHECKED BY PTLIM	DATE 2003/07/16	APPROVED BY SKTOH		DATE 2003/07/17	MOLEX INCORPORATED	
		2 PLACES ± 0.13 ± --- 1 PLACE ± 0.25 ± --- ANGULAR ± 1 °	MATERIAL NO. SEE TABLE		DOCUMENT NO. SD-87782-001	SHEET NO. 4 OF 5			

9 8 7 6 5 4 3 2 1

10 9 8 7 6 5 4 3 2 1

CKT SIZE 'N'	PART NUMBER	MODULE CARD	VOLTAGE KEY	DIM 'R'	DIM 'J'	DIM 'K'	DIM 'L'	DIM 'N'	DIM 'A'	DIM 'S'	DIM 'T'	DIM 'E'	DIM 'U'	DIM 'V'	DIM 'G'	DIM 'H'	DIM 'B'	COVER	PACKAGING SPECIFICATION
244	87782-2001	DDR2	1.8 V	1.30	38.40	36.60	33.60	79.00	96.0	96.0	106.20	39.60	78.00	82.00	47.60	42.75	75.60	NIL	PK-87782-004
244	87782-2003	DDR2	1.8 V	1.30	38.40	36.60	33.60	79.00	96.0	96.0	106.20	39.60	78.00	82.00	47.60	42.75	75.60	YES	PK-87782-005
	87782-3003	DDR3	1.5 V	2.30															
244	87782-2005	DDR2	1.8 V	1.30	38.40	36.60	33.60	79.00	96.0	96.0	106.20	39.60	78.00	82.00	47.60	42.75	75.60	YES	PK-87782-004
	87782-3005	DDR3	1.5 V	2.30															
244	87782-2007	DDR2	1.8 V	1.30	38.40	36.60	33.60	79.00	96.0	96.0	106.20	39.60	78.00	82.00	47.60	42.75	75.60	YES	PK-87782-006
	87782-3007	DDR3	1.5 V	2.30															
244	87782-2009	DDR2	1.8 V	1.30	38.40	36.60	33.60	79.00	96.0	96.0	106.20	39.60	78.00	82.00	47.60	42.75	75.60	YES	PK-87782-002
	87782-3009	DDR3	1.5 V	2.30															
200	87782-2201	DDR2	1.8 V	1.30	23.40	38.40	35.40	65.80	82.8	82.8	93.00	24.60	64.80	68.80	32.60	44.55	62.40	NIL	PK-87782-003
	87782-2202	DDR	2.5 V	2.30															
200	87782-2203	DDR2	1.8 V	1.30	23.40	38.40	35.40	65.80	82.8	82.8	93.00	24.60	64.80	68.80	32.60	44.55	62.40	YES	PK-87782-003
	87782-2204	DDR	2.5 V	2.30															
244	87782-6001	DDR2	1.8 V	1.30	38.40	36.60	33.60	79.00	96.0	96.0	106.20	39.60	78.00	82.00	47.60	42.75	75.60	YES	PK-87782-001
	87782-6003	DDR3	1.5 V	2.30															

UPDATE DIMENSION EC NO: S2013-0123 DRAWN BY: JDRWNEKSOH CHKD: GGTAN APPR: SHLENI	2012/09/05 2012/09/12 2012/09/18	REV DESCRIPTION G3	QUALITY SYMBOLS	GENERAL TOLERANCES (UNLESS SPECIFIED)	DIMENSION STYLE	SCALE	DESIGN UNITS	THIRD ANGLE PROJECTION	
			▽=0	mm INCH	MM ONLY	NTS	METRIC		
			▽=0	4 PLACES ± --- ± ---	DRAWN BY DATE	TITLE	MINI DIMM, 0.60MM PITCH 200/244 CKTS, VERTICAL		
				3 PLACES ± --- ± ---	MLONG 2003/01/07		MOLEX INCORPORATED		
	2 PLACES ± 0.13 ± ---	CHECKED BY DATE		MATERIAL NO. DOCUMENT NO.					
	1 PLACE ± 0.25 ± ---	PTLIM 2003/07/16		SD-87782-001					
	ANGULAR ± 1 °	APPROVED BY DATE		SHEET NO.					
		SKTOH 2003/07/17		5 OF 5					
DRAFT WHERE APPLICABLE MUST REMAIN WITHIN DIMENSIONS				SEE TABLE	THIS DRAWING CONTAINS INFORMATION THAT IS PROPRIETARY TO MOLEX INCORPORATED AND SHOULD NOT BE USED WITHOUT WRITTEN PERMISSION				

10 9 8 7 6 5 4 3 2 1