

Excellent Integrated System Limited

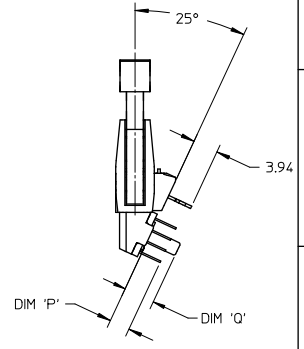
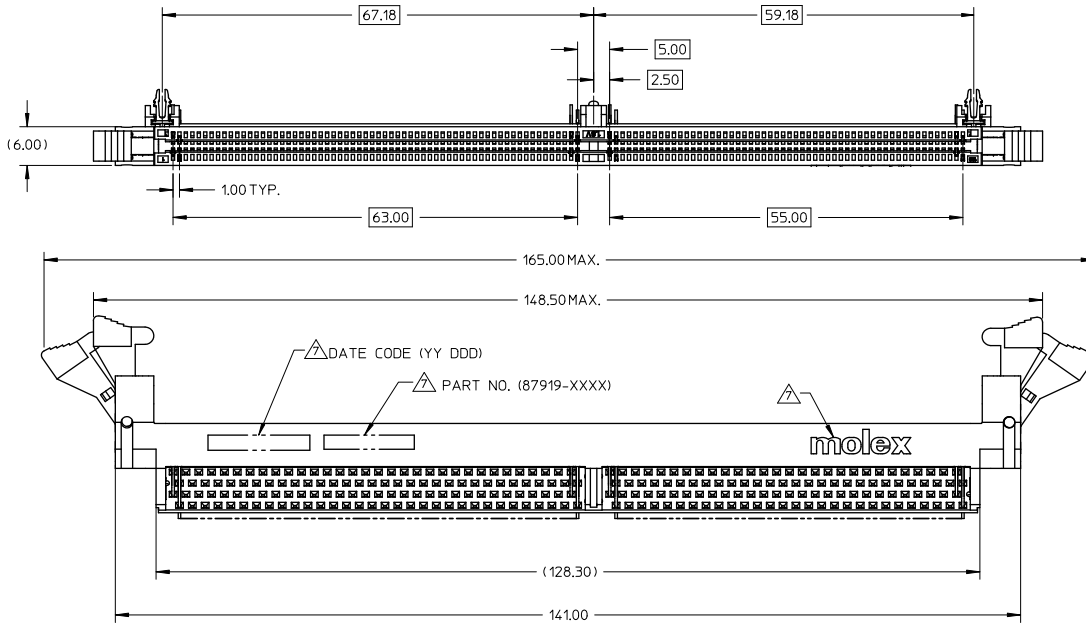
Stocking Distributor

Click to view price, real time Inventory, Delivery & Lifecycle Information:

[Molex Connector Corporation](#)
[0879190111](#)

For any questions, you can email us directly:

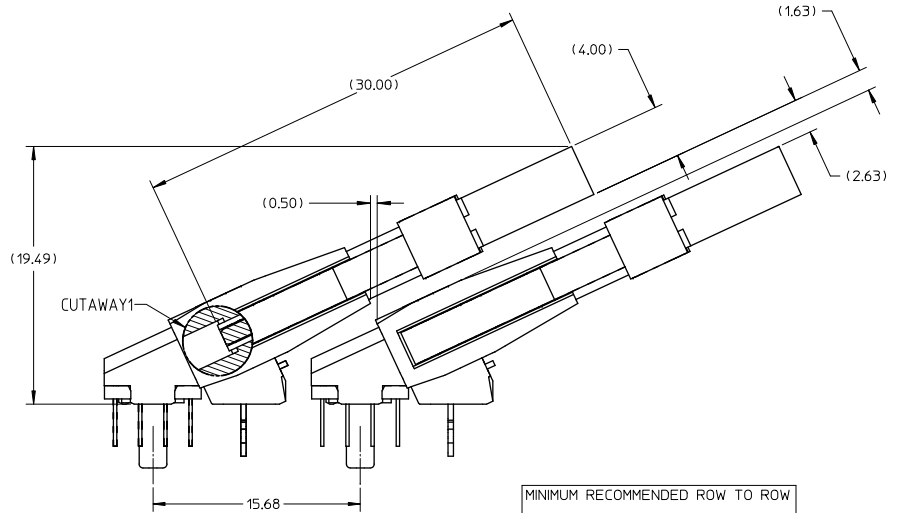
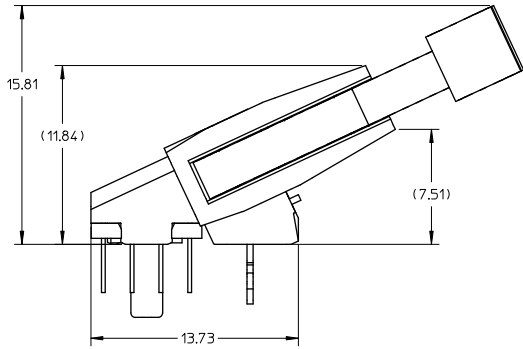
sales@integrated-circuit.com



NOTES:

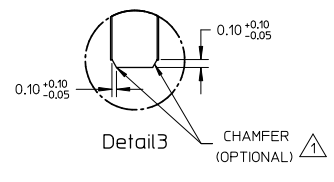
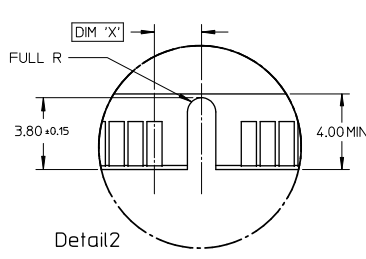
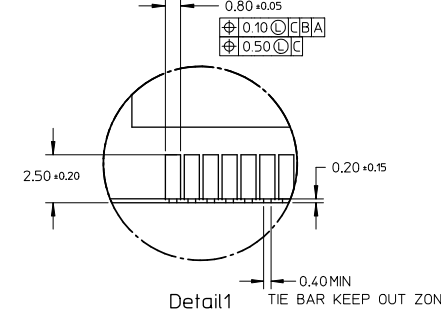
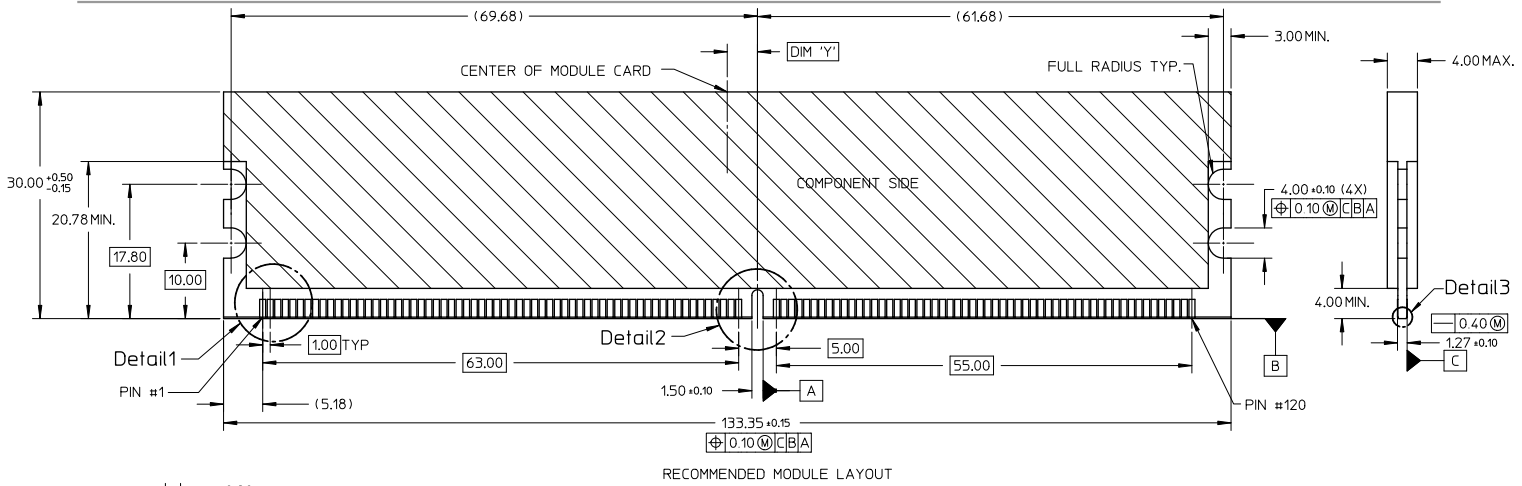
1. MATERIAL : HOUSING & BASEPLATE.
- LCP, GLASS FILLED, UL94-V0, BLACK.
LATCH.
- HIGH TEMP. NYLON, GLASS FILLED, UL94-V0, NATURAL (OFF WHITE).
TERMINALS & FORKLICK - COPPER ALLOY.
 2. PLATING : CONTACT AREA - SEE TABLE ON SHEET 5.
SOLDERTAIL - SEE TABLE ON SHEET 5.
 3. CARD SLOT ACCEPTS 1.27+/-0.10MM MODULE THICKNESS (MEASURED OVER PC PADS).
 4. REFER TO PRODUCT SPECIFICATION, PS-87919-001 FOR PERFORMANCE SPECIFICATION.
 5. RECOMMENDED MODULE CARD LAYOUT SHALL BE AS PER JEDEC MO-237.
 6. PRODUCT SHALL BE PACKED IN TRAY. PLS REFER TO SHEET 6.
- ▲ MOLEX LOGO, DATE & PART NUMBER INDICATED ON HOUSING.

ADDED OPTION EC NO: S2010-0393 DR:WINCCIEH CHK:KCCIAN APPR:SHLENI 2009/11/16 2009/11/16 2009/11/17	DESCRIPTION REV	QUALITY SYMBOLS	GENERAL TOLERANCES (UNLESS SPECIFIED)	DIMENSION STYLE MM ONLY	SCALE NTS	DESIGN UNITS METRIC	THIRD ANGLE PROJECTION	
		▽=0	4 PLACES ± --- ± ---	DRAWN BY JTAN	DATE 2004/05/26	TITLE DDR2 DIMM, 100MM PITCH 240 CKTS, 25 DEG. REVERSE ANGLE		
		▽=0	3 PLACES ± --- ± ---	CHECKED BY MLONG	DATE 2004/06/11	MOLEX INCORPORATED DOCUMENT NO. SD-87919-001 SHEET NO. 1 OF 6		
		▽=0	2 PLACES ± 0.25 ± ---	APPROVED BY GGLEE	DATE 2004/06/11			
DRAFT WHERE APPLICABLE MUST REMAIN WITHIN DIMENSIONS			MATERIAL NO. SEE TABLE		THIS DRAWING CONTAINS INFORMATION THAT IS PROPRIETARY TO MOLEX INCORPORATED AND SHOULD NOT BE USED WITHOUT WRITTEN PERMISSION			



MINIMUM RECOMMENDED ROW TO ROW SPACING WHEN USING 4.00MM THICK MODULE.

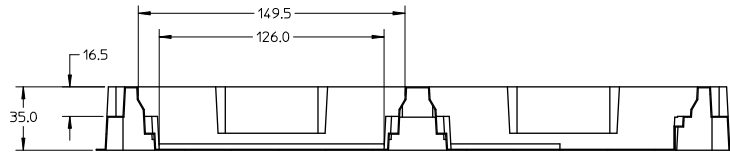
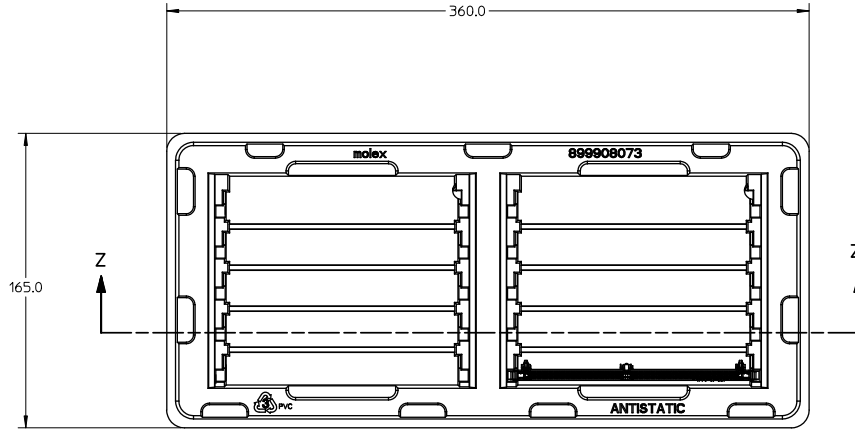
ADDED OPTION EC NO: S2010-0393 2009/11/16 DRWINCIEH 2009/11/16 CHKDCGTAN APPRSJHENI 2009/11/17	DESCRIPTION A7	QUALITY SYMBOLS	GENERAL TOLERANCES (UNLESS SPECIFIED)		DIMENSION STYLE MM ONLY		SCALE NTS	DESIGN UNITS METRIC	THIRD ANGLE PROJECTION	
		$\nabla=0$ $\nabla=0$ $\nabla=0$	mm INCH 4 PLACES ± --- ± --- 3 PLACES ± --- ± --- 2 PLACES ± 0.25 ± --- 1 PLACE ± --- ± --- ANGULAR ± 5 °	DRAWN BY JTAN CHECKED BY MLONG APPROVED BY GGLEE	DATE 2004/05/26 DATE 2004/06/11 DATE 2004/06/11	TITLE DDR2 DIMM, 100MM PITCH 240 CKTS, 25 DEG. REVERSE ANGLE				
		DRAFT WHERE APPLICABLE MUST REMAIN WITHIN DIMENSIONS		MATERIAL NO. SEE TABLE		DOCUMENT NO. SD-87919-001			SHEET NO. 2 OF 6	
		THIS DRAWING CONTAINS INFORMATION THAT IS PROPRIETARY TO MOLEX INCORPORATED AND SHOULD NOT BE USED WITHOUT WRITTEN PERMISSION								



KEY LOCATION	VOLTAGE	DIM 'X'	DIM 'Y'
CENTER	1.8V	2.50	4.00

NOTES :
 △ MODULE CARD USED IN PRODUCT TESTING ARE CHAMFERED.

ADDED OPTION EC NO: S2010-0393 DRW:NCCTH CHK:CGWAN APPR:SHLEI	QUALITY SYMBOLS ∇=0 ∇=0 ∇=0	GENERAL TOLERANCES (UNLESS SPECIFIED)		DIMENSION STYLE		SCALE	DESIGN UNITS	THIRD ANGLE PROJECTION	
		mm	INCH	MM ONLY	NTS	METRIC	⊙	PROJECTION	
		4 PLACES ±---	±---	DRAWN BY	DATE	TITLE			
		3 PLACES ±---	±---	JTAN	2004/05/26	DDR2 DIMM, 100MM PITCH			
2 PLACES ±0.25	±---	CHECKED BY	DATE	240 CKTS, 25 DEG.					
1 PLACE ±---	±---	MLONG	2004/06/11	REVERSE ANGLE					
ANGULAR ± 5 °		APPROVED BY	DATE	MATERIAL NO.		DOCUMENT NO.		SHEET NO.	
DRAFT WHERE APPLICABLE MUST REMAIN WITHIN DIMENSIONS		GGLEE	2004/06/11	SEE TABLE		SD-87919-001		3 OF 6	
		THIS DRAWING CONTAINS INFORMATION THAT IS PROPRIETARY TO MOLEX INCORPORATED AND SHOULD NOT BE USED WITHOUT WRITTEN PERMISSION							



SECTION Z-Z

NOTE:

1. CAVITY QTY : 2 X 5 = 10

ADDED OPTION EC NO: S2010-0393 DRWNG CTR: 2009/11/16 CHKD: GAN 2009/11/16 APPR: SHEN 2009/11/17 REV: A7	QUALITY SYMBOLS	GENERAL TOLERANCES (UNLESS SPECIFIED)	DIMENSION STYLE	SCALE	DESIGN UNITS	THIRD ANGLE PROJECTION	
	$\nabla=0$ $\nabla=0$ $\nabla=0$	(UNLESS SPECIFIED) mm INCH 4 PLACES ± --- ± --- 3 PLACES ± --- ± --- 2 PLACES ± 0.25 ± --- 1 PLACE ± --- ± --- ANGULAR ± 5 °	MM ONLY	NTS	METRIC	DRAWN BY: JTAN DATE: 2004/05/26 CHECKED BY: MLONG DATE: 2004/06/11 APPROVED BY: GGLEE DATE: 2004/06/11 MATERIAL NO. SEE TABLE SIZE: A3	TITLE: DDR2 DIMM, 1.00MM PITCH 240 CKTS, 25 DEG. REVERSE ANGLE MOLEX INCORPORATED DOCUMENT NO. SD-87919-001 SHEET NO. 5 OF 6
	DRAFT WHERE APPLICABLE MUST REMAIN WITHIN DIMENSIONS	THIS DRAWING CONTAINS INFORMATION THAT IS PROPRIETARY TO MOLEX INCORPORATED AND SHOULD NOT BE USED WITHOUT WRITTEN PERMISSION					

PART NO.	VOLTAGE KEY	DIM 'P'	DIM 'Q'	RECOMMENDED PCB THICKNESS	CONTACT AREA PLATING	SOLDERTAIL PLATING	LATCH COLOR
87919-0001	1.8V	2.79	3.18	1.57	0.76µM/ 30u' GOLD OVER 1.27µM/ 50u' MIN NICKEL	2.54µM/ 100u' MIN. TIN OVER 1.27µM/ 50u' MIN NICKEL	NATURAL
87919-0011		3.18	4.83	2.36			
87919-1001		4.00		3.18			
87919-1002		4.60	3.50	0.38µM/ 15u' GOLD OVER 1.27µM/ 50u' MIN NICKEL			
87919-0101		2.79	3.18		1.57		
87919-0111		3.18	4.83		2.36		
87919-0333							BLACK

ADDED OPTION EC NO: S2010-0393 2009/11/16 DRWN:CTEH CHK:KGTAN APPR:SHLENI 2009/11/17	QUALITY SYMBOLS	GENERAL TOLERANCES (UNLESS SPECIFIED)		DIMENSION STYLE	SCALE	DESIGN UNITS	THIRD ANGLE PROJECTION
	▽=0	mm	INCH	MM ONLY	NTS	METRIC	☉
	▽=0	4 PLACES ±---	±---	DRAWN BY	DATE	TITLE	
	▽=0	3 PLACES ±---	±---	JTAN	2004/05/26	DDR2 DIMM, 1.00MM PITCH 240 CKTS, 25 DEG. REVERSE ANGLE	
	▽=0	2 PLACES ±0.25	±---	CHECKED BY	DATE	MOLEX INCORPORATED	
	1 PLACE ±---	±---	MLONG	2004/06/11			
	ANGULAR ± 5°		APPROVED BY	DATE			
			GGLLEE	2004/06/11			
			MATERIAL NO.	DOCUMENT NO.			
			SEE TABLE	SD-87919-001			
			SIZE		SHEET NO.		
			A3		6 OF 6		
			THIS DRAWING CONTAINS INFORMATION THAT IS PROPRIETARY TO MOLEX INCORPORATED AND SHOULD NOT BE USED WITHOUT WRITTEN PERMISSION				