

Excellent Integrated System Limited

Stocking Distributor

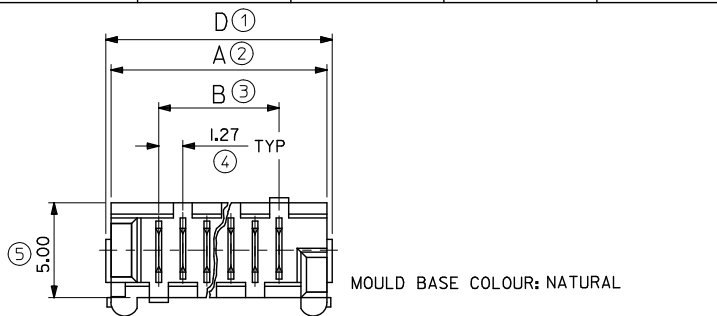
Click to view price, real time Inventory, Delivery & Lifecycle Information:

[Molex Connector Corporation](#)
[0907790001](#)

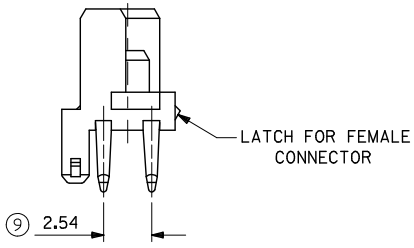
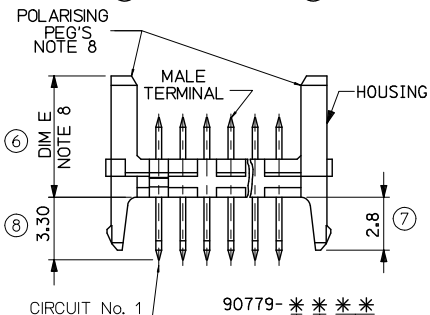
For any questions, you can email us directly:

sales@integrated-circuit.com

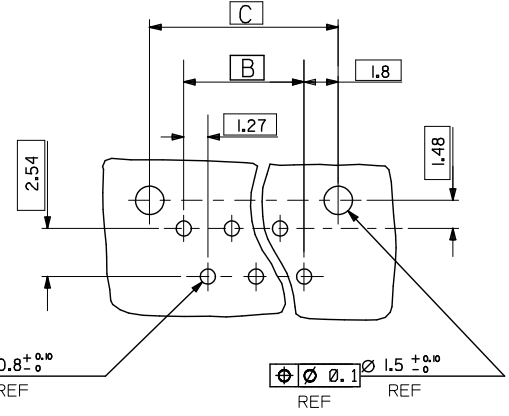
10 9 8 7 6 5 4 3 2 1



MOULD BASE COLOUR: NATURAL



PCB LAYOUT VIEWED FROM SOLDER SIDE. BOARD 1.60±0.14 THK



90779-***I3	26	36.80	31.75	35.35	37.26
↑ -**I2	24	34.26	29.21	32.81	34.72
-**I1	22	31.72	26.67	30.27	32.18
-**I0	20	29.18	24.13	27.73	29.64
-**08	18	26.64	21.59	25.19	27.10
-**07	16	24.10	19.05	22.65	24.56
-**06	14	21.56	16.51	20.11	22.02
-**05	12	19.02	13.97	17.57	19.48
-**04	10	16.48	11.43	15.03	16.94
-**03	8	13.94	8.89	12.49	14.40
↓ -**02	6	11.40	6.35	9.95	11.86
90779-***O1	4	8.86	3.81	7.41	9.32
PART NO.	NO. OF CKTS	DIM. A	DIM. B	DIM. C	DIM. D

CIRCUIT No. 1 90779-***

CIRCUIT SIZE 04CKT TO 26CKT -SEE TABLE ABOVE FOR PART CODE

0 - STANDARD 9 - SHORT VERSION

0= 4-6µm TIN ASSY
3= 0.6µm PALLADIUM NICKEL ASSY
7= 0.6µm PALLADIUM NICKEL, TUBED
9= 4-6µm TIN ASSY TUBED

- NOTES**
- HOUSING: NYLON 46, GLASS FILLED UL 94 V-0, NATURAL (WHITE).
 - TERMINAL: BRASS
PLATING: TIN: 127 MICROMETRE MIN NICKEL UNDER 4-6 MICROMETRE TIN
 - APPLICATION GLASS TO DIN 40040 HME (-25°C/+100°C)
 - PIN PUSH FORCE 7N
 - TEST VOLTAGE: 750V.A.C./1 MIN
 - COMPATIBLE WITH MOLEX PART 90327
 - PRODUCT SPECIFICATION: PS-99020-0011
 - POLARISING PEGS AVAILABLE IN 2 OPTIONS
DIM E: STANDARD 6.40mm
DIM E: SHORT VERSION 4.10mm
 - PACKAGING SPECIFICATION: PK-90325-002
- LAST INSPECTION NUMBER USED: 9

REMOVED GOLD OPTION REMOVED GOLD OPTION REV NO. FC 2012-05-76	DRW:BY:BNES 2012/03/27	CHKD:SGNGREEVY 2012/03/29	APPR:LEFLAN 2012/07/17
REV	DESCRIPTION	QUALITY SYMBOLS	
0		▽=0	
0		▽=0	

GENERAL TOLERANCES (UNLESS SPECIFIED)	
	mm INCH
4 PLACES	± --- ± ---
3 PLACES	± 0.20 ± ---
2 PLACES	± 0.20 ± ---
1 PLACE	± --- ± ---
ANGULAR ± --- °	
DRAFT WHERE APPLICABLE MUST REMAIN WITHIN DIMENSIONS	

DIMENSION STYLE		SCALE	DESIGN UNITS	THIRD ANGLE PROJECTION
MM ONLY		5:1	METRIC	◎ □
DRAWN BY	DATE	TITLE		
BGB	1992/08/21	HEADER ASSEMBLY		
CHECKED BY	DATE			
DMORJARTY	2004/12/03			
APPROVED BY	DATE			
JDENNEHY	2004/12/03			
MATERIAL NO.	DOCUMENT NO.	SHEET NO.		
SEE CHART	SDA-90779	1 OF 1		

MATERIAL NO.		DOCUMENT NO.	SHEET NO.
SEE CHART		SDA-90779	1 OF 1
THIS DRAWING CONTAINS INFORMATION THAT IS PROPRIETARY TO MOLEX INCORPORATED AND SHOULD NOT BE USED WITHOUT WRITTEN PERMISSION			

9 8 7 6 5 4 3 2 1