

## Excellent Integrated System Limited

Stocking Distributor

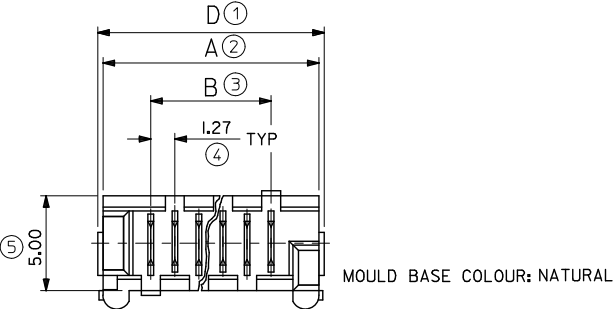
Click to view price, real time Inventory, Delivery & Lifecycle Information:

[Molex Connector Corporation](#)  
[0907793004](#)

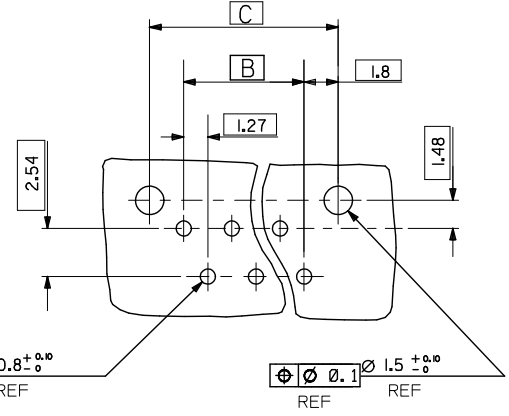
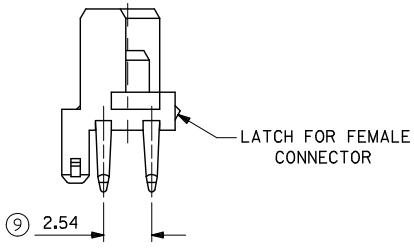
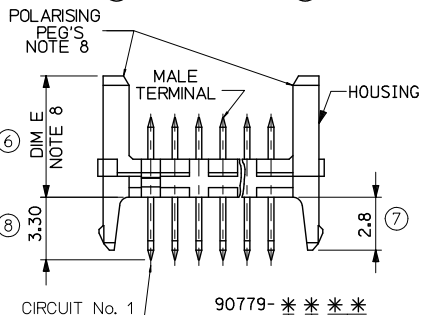
For any questions, you can email us directly:

[sales@integrated-circuit.com](mailto:sales@integrated-circuit.com)

10 9 8 7 6 5 4 3 2 1



90779-***13	26	36.80	3.175	35.35	37.26
↑ -**12	24	34.26	29.21	32.81	34.72
-**11	22	31.72	26.67	30.27	32.18
-**10	20	29.18	24.13	27.73	29.64
-**08	18	26.64	21.59	25.19	27.10
-**07	16	24.10	19.05	22.65	24.56
-**06	14	21.56	16.51	20.11	22.02
-**05	12	19.02	13.97	17.57	19.48
-**04	10	16.48	11.43	15.03	16.94
-**03	8	13.94	8.89	12.49	14.40
↓ -**02	6	11.40	6.35	9.95	11.86
90779-***01	4	8.86	3.81	7.41	9.32
PART NO.	NO. OF CKTS	DIM. A	DIM. B	DIM. C	DIM. D



PCB LAYOUT VIEWED FROM SOLDER SIDE. BOARD 1.60±0.14 THK

CIRCUIT No. 1 90779-\*\*\*

0= 4-6µm TIN ASSY 0 - STANDARD  
3= 0.6µm PALLADIUM NICKEL ASSY 9 - SHORT VERSION  
7= 0.6µm PALLADIUM NICKEL, TUBED  
9= 4-6µm TIN ASSY TUBED

NOTES:  
1. HOUSING: NYLON 46, GLASS FILLED UL 94 V-0, NATURAL (WHITE).  
2. TERMINAL: BRASS  
PLATING: TIN: 127 MICROMETRE MIN NICKEL UNDER 4-6 MICROMETRE TIN

PLATING PALLADIUM NICKEL (PdNi): 127 MICROMETRE MIN. NICKEL UNDER 3-5 MICROMETRE TIN SELECTIVE AND 0.6 MICROMETRE PdNi UNDER 0.05 MICROMETRE GOLD FLASH  
3. APPLICATION GLASS TO DIN 40040 HME (-25°C/+100°C)  
4. PIN PUSH FORCE 7N  
5. TEST VOLTAGE: 750V.A.C./1 MIN  
6. COMPATIBLE WITH MOLEX PART 90327  
7. PRODUCT SPECIFICATION: PS-99020-0011  
8. POLARISING PEG AVAILABLE IN 2 OPTIONS  
DIM E: STANDARD 6.40mm  
DIM E: SHORT VERSION 4.10mm  
9. PACKAGING SPECIFICATION: PK-90325-002  
LAST INSPECTION NUMBER USED: 9

REV	DESCRIPTION
1	REMOVED GOLD OPTION FROM PACKAGING SPECIFICATION NO. PK-90325-002
2	DRW:VBY/MS 2012/03/27
3	CHKD:SG/GREVV 2012/03/29
4	APPR:EF/OLAN 2012/07/17

GENERAL TOLERANCES (UNLESS SPECIFIED)	
	mm INCH
4 PLACES	± --- ± ---
3 PLACES	± 0.20 ± ---
2 PLACES	± 0.20 ± ---
1 PLACE	± --- ± ---
ANGULAR ± --- °	

DIMENSION STYLE	
MM ONLY	
DRAWN BY	DATE
BGB	1992/08/21
CHECKED BY	DATE
DMOR/ARTY	2004/12/03
APPROVED BY	DATE
JDENNEHY	2004/12/03

SCALE	DESIGN UNITS	THIRD ANGLE PROJECTION
5:1	METRIC	☉
HEADER ASSEMBLY		
MATERIAL NO. SEE CHART		DOCUMENT NO. SDA-90779
SIZE A3		SHEET NO. 1 OF 1

9 8 7 6 5 4 3 2 1