

Excellent Integrated System Limited

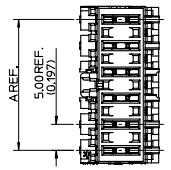
Stocking Distributor

Click to view price, real time Inventory, Delivery & Lifecycle Information:

[Molex Connector Corporation](#)
[0908331251](#)

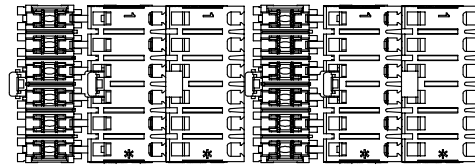
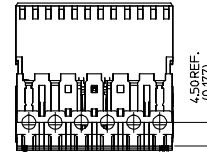
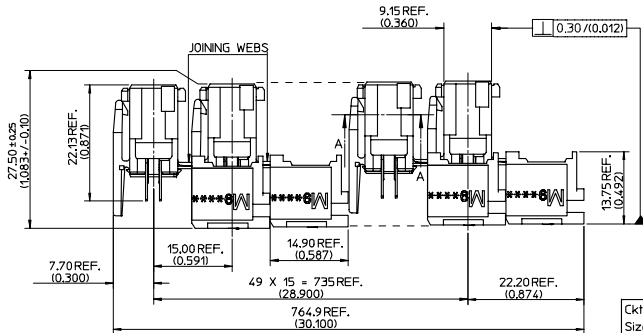
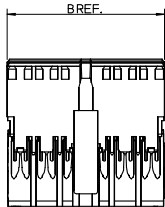
For any questions, you can email us directly:

sales@integrated-circuit.com



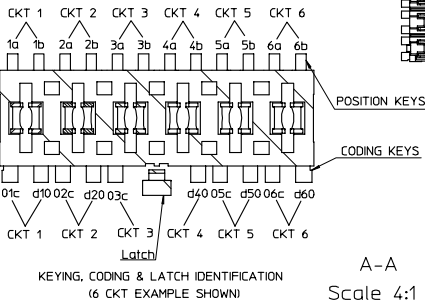
PARTIAL1
Scale 2:1

- NOTES:
- MATERIALS
HOUSING: UNFILLED NYLON 6/6, RATED UL 94V-2
FOR COLOURS, SEE CHARTS ON SHEETS 2-6.
TERMINALS: PHOSPHOR BRONZE, 0.40/(0.016) THICK REF.
PLATING: 5um/(200uin) MIN PURE Sn
 - PRODUCT CONFORMS TO SPECIFICATION PS-99020-0037
 - ACCEPTS CABLE, PER ES-99036-0008 OR ES-99036-0009
AS PER THE APPLICATION SPECIFICATION AS-99033-0004
 - SEE SUBSEQUENT SHEETS FOR PART NUMBERS SHOWING
THE VARIOUS CODING, KEYING AND LATCHING OPTIONS



Ckt Size	A	B
2	5.00/(0.197)	9.90/(0.400)
3	10.00/(0.394)	14.90/(0.587)
4	15.00/(0.591)	19.90/(0.783)
5	20.00/(0.787)	24.90/(0.980)
6	25.00/(0.984)	29.90/(1.177)
7	30.00/(1.181)	34.90/(1.374)
8	35.00/(1.378)	39.90/(1.571)
9	40.00/(1.575)	44.90/(1.768)
10	45.00/(1.772)	49.90/(1.965)
11	50.00/(1.969)	54.90/(2.161)
12	55.00/(2.165)	59.90/(2.358)

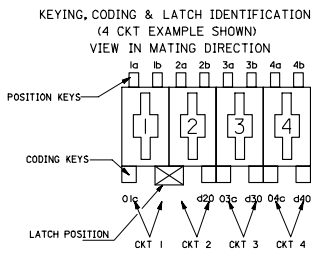
CKT	NO. OF CONNECTORS PER TRAY, 99025-0021	NO. OF CONNECTORS PER BOX
2	1200	3600
3	750	2250
4	600	1800
5	450	1350
6	300	900
7	300	900
8	300	900
9	150	450
10	150	450
11	150	450
12	150	450



A-A
Scale 4:1

UPDATED TO ANNON IEC NO. E2007-0946 2007/11/07 DRAWN: BRITILE 2007/11/27 CHKC: B 2007/11/27 APPR: BMAGUIRE 2007/11/27 DESCRIPTION AB REV	QUALITY SYMBOLS ▽=0 ▽=0	GENERAL TOLERANCES (UNLESS SPECIFIED) mm INCH 4 PLACES ± --- ± --- 3 PLACES ± 0.025 ± --- 2 PLACES ± 0.05 ± --- 1 PLACE ± 0.1 ± --- ANGULAR ±1/2°	DIMENSION STYLE MM ONLY DRAWN BY DATE PC 94/02/14 CHECKED BY DATE BMAGUIRE 94/02/14 APPROVED BY DATE MWILHITE 94/02/14 MATERIAL NO. SEE CHARTS SIZE 1 THIS DRAWING CONTAINS INFORMATION THAT IS PROPRIETARY TO MOLEX INCORPORATED AND SHOULD NOT BE USED WITHOUT WRITTEN PERMISSION	SCALE 2:1 DESIGN UNITS METRIC THIRD ANGLE PROJECTION TITLE 5MM APPLI-MATE 6A/10A F-INDIRECT CONN ASSY MOLEX INCORPORATED DOCUMENT NO. SD-90833-001 SHEET NO. 1 OF 6
---	-------------------------------	---	---	--

MOLEX PART NO	CIRCUIT SIZE	COLOUR	POSITION KEYS	CODING KEYS	LATCH POSITION	CONFIGURATION	REF
90833-0001		NATURAL	ALL	ALL	1/2		K00
90833-0002	2	BLUE	ALL	ALL	1/2		K00
90833-0003		NATURAL	ALL	ALL	1/2		K01
90833-0051	2	YELLOW	1b 2a	ALL	1/2		K01
90833-0004		NATURAL	ALL	ALL	1/2		K02
90833-0050	2	YELLOW	1a 2b	01c	1/2		K02
90833-0026		GREEN	ALL	ALL	1/2		K02
90833-0005		BLUE	ALL	ALL	1/2		K03
90833-0018	2	NATURAL	2a 2a	ALL	1/2		K03
90833-0008		YELLOW	ALL	ALL	1/2		K03
90833-0006		GREY	ALL	ALL	1/2		K05
90833-0019	2	NATURAL	1a 2b	d20	1/2		K05
90833-0025		GREEN	ALL	ALL	1/2		K05
90833-0007		NATURAL	ALL	ALL	1/2		K09
90833-0008	2	YELLOW	1b 2b	01c	1/2		K09
90833-0009		NATURAL	ALL	ALL	1/2		K10
90833-0010	2	YELLOW	1a 2a	01c	1/2		K10
90833-0054	2	NATURAL	2b	ALL	1/2		K15
90833-0058	2	NATURAL	1a 1b	ALL	1/2		K47
90833-0060	2	BLUE	1a 2b	ALL	1/2		K48
90833-0027	2	YELLOW	2b	NONE	1/2		K11
90833-0062	2	NATURAL	2b	NONE	1/2		K11
90833-0066	2	NATURAL	1a 1b	01c	1/2		K04
90833-0028	2	NATURAL	2a	d20	1/2		k37
90833-0070	2	NATURAL	1a, 1b	d20	1/2		k13
90833-0071	2	NATURAL	2a, 2b	01c	1/2		k32

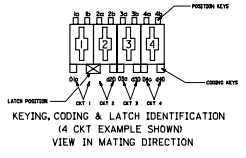


MOLEX PART NO	CIRCUIT SIZE	COLOUR	POSITION KEYS	CODING KEYS	LATCH POSITION	CONFIGURATION	REF
90833-0011	2	BLUE	ALL	ALL	1/2		K12
90833-0057	2	NATURAL	1a	ALL	1/2		K12
90833-0061	2	YELLOW	1a	ALL	1/2		K12
90833-0012		NATURAL	ALL	ALL	1/2		K14
90833-0052	2	YELLOW	1b 2a	01c	1/2		K14
90833-0013		NATURAL	ALL	ALL	1/2		K33
90833-0014	2	YELLOW	ALL	01c	1/2		K33
90833-0048		GREEN	ALL	ALL	1/2		K33
90833-0015		GREY	ALL	ALL	1/2		K34
90833-0059	2	WHITE	ALL	d20	1/2		K34
90833-0074		NATURAL	ALL	ALL	1/2		K34
90833-0016	2	GREY	ALL	d20	1/2		K35
90833-0069	2	NATURAL	1b 2b	d20	1/2		K35
90833-0017	2	GREY	2a, 2b	d20	1/2		K39
90833-0072		NATURAL	2a, 2b	d20	1/2		K39
90833-0020	2	NATURAL	1a 1b	01c	1/2		K04
90833-0021	2	NATURAL	1b 1b	ALL	1/2		K16
90833-0063	2	BLUE	1b 1b	ALL	1/2		K16
90833-0022	2	NATURAL	1a 2b	NONE	1/2		K06
90833-0032	2	NATURAL	2b	d20	1/2		K38
90833-0047	2	NATURAL	1a 2a	ALL	1/2		K44
90833-0056	2	NATURAL	1b 2a 2b	d20	1/2		K07
90833-0064	2	WHITE	1b, 2a	d20	1/2		K46
90833-0073		NATURAL	ALL	ALL	1/2		K46

UPDATED TO ANNON E.C. NO. E2007-0946 DRAWN BY: DRW:BRUNTLE CHKC: 2007/11/27 APPR: BMAGUIRE 2007/11/27 DESCRIPTION:	QUALITY SYMBOLS	GENERAL TOLERANCES (UNLESS SPECIFIED)	DIMENSION STYLE	SCALE	DESIGN UNITS	THIRD ANGLE PROJECTION
	▽=0	4 PLACES ± ---	mm INCH	1:1	METRIC	
	▽=0	3 PLACES ± 0.025	± ---	DRAWN BY: PC	DATE: 9/10/14	TITLE: 5MM APPLI-MATE 6A/10A F-INDIRECT CONN ASSY
		2 PLACES ± 0.05	± ---	CHECKED BY: BMAGUIRE	DATE: 9/10/14	
	1 PLACE ± 0.1	± ---	APPROVED BY: MWILHITE	DATE: 9/10/14		
	ANGULAR ± 1/2°		MATERIAL NO.:	DOCUMENT NO.:	Molex	
	DRAFT WHERE APPLICABLE MUST REMAIN WITHIN DIMENSIONS		SEE CHARTS			
			THIS DRAWING CONTAINS INFORMATION THAT IS PROPRIETARY TO MOLEX INCORPORATED AND SHOULD NOT BE USED WITHOUT WRITTEN PERMISSION			

MOLEX PART NO	CIRCUIT SIZE	COLOR	POSITION KEYS	CODING KEYS	LATCH POSITION	CONFIGURATION	REF
90833-0500	3	NATURAL	ALL	ALL	1/2		K00
90833-0501	3	NATURAL	ALL	ALL	2/3		K90
90833-0502	3	NATURAL	1b	01a d20	1/2		K01
90833-0503	3	YELLOW	ALL	d20	1/2		K40
90833-0504	3	GREY	ALL	d10	2/3		K41
90833-0505	3	GREY	1a 2a	d10	2/3		K42
90833-0532	3	BLACK	1a 3a	d20	1/2		K43
90833-0506	3	YELLOW	ALL	d20	1/2		K44
90833-0507	3	YELLOW	2a	d10 d30	2/3		K44
90833-0508	3	NATURAL	1a	03c	1/2		K04
90833-0509	3	GREY	1a 1b	d10	2/3		K52
90833-0510	3	YELLOW	1a 1b	d20	1/2		K53
90833-0511	3	NATURAL	1a 1b	d30	1/2		K05
90833-0524	3	NATURAL	1b 2a 2b	d30	1/2		K33
90833-0526	3	NATURAL	ALL	d10 d30	2/3		K38
90833-0528	3	NATURAL	1a 3a	01c	1/2		K07
90833-0529	3	NATURAL	1b 3a	01c	1/2		K03
90833-0533	3	GREY	ALL	d20	1/2		K03
90833-0530	3	NATURAL	2a	02c d30	2/3		K57
90833-0531	3	NATURAL	2b	d20	1/2		K08
90833-0513	3	NATURAL	1b	d20 03c	1/2		K09
90833-0535	3	NATURAL	1a 2a	d30	2/3		K12
90833-0536	3	NATURAL	2a	d10 d30	2/3		K44
90833-0537	3	BLUE	1a	03c	1/2		K**
90833-0534	3	NATURAL	1a 2a 3a	01c 02c d30	2/3		K12
90833-0540	3	NATURAL	3b	01c d30	1/2		K37
90833-0541	3	NATURAL	2b 3b	d10 02c	2/3		K02
90833-0542	3	NATURAL	1a 3a	01c	1/2		K-
90833-0543	3	NATURAL	1a 3a	03c	1/2		K98

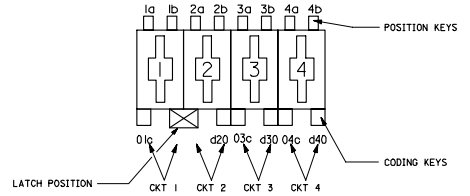
MOLEX PART NO	CIRCUIT SIZE	COLOR	POSITION KEYS	CODING KEYS	LATCH POSITION	CONFIGURATION	REF
90833-0251	4	NATURAL	ALL	ALL	1/2 3/4		K00
90833-0252	4	BLUE	ALL	ALL	1/2 3/4		K00
90833-0253	4	YELLOW	ALL	ALL	1/2 3/4		K00
90833-0254	4	NATURAL	1b	03c d40	1/2 3/4		K01
90833-0255	4	YELLOW	3a	d20 03a	1/2 3/4		K33
90833-0256	4	BLUE	ALL	01c	1/2 3/4		K34
90833-0257	4	NATURAL	ALL	d20 03c	1/2 3/4		K35
90833-0258	4	BLUE	ALL	d40	1/2 3/4		K36
90833-0259	4	NATURAL	1b	d20 03c	1/2 3/4		K38
90833-0260	4	BLUE	1b 2a	d40	1/2 3/4		K39
90833-0261	4	BLUE	1b 3b	d40	1/2 3/4		K49
90833-0262	4	BLUE	1b 3b	01c	1/2 3/4		K54
90833-0264	4	NATURAL	1a 4b	d40	1/2 3/4		K03
90833-0271	4	ORANGE	1a 3a	d40	1/2 3/4		K06
90833-0272	4	GREY	1b	03c d40	1/2 3/4		K01
90833-0273	4	NATURAL	1a 3a 3b	01c d20 d40	1/2 3/4		K32
90833-0277	4	YELLOW	1a 2b 4b	d40	1/2 3/4		K62
90833-0267	4	NATURAL	1b 2a 3a 4b	01c d40	1/2 3/4		K37
90833-0279	4	NATURAL	1a 4b	01c	1/2 3/4		K02
90833-0282	4	NATURAL	1a 2a 4a	01c 03c d40	1/2 3/4		K43
90833-0276	4	NATURAL	3b	d30	2/3		K04
90833-0283	4	NATURAL	1a 1b 3a 3b	01c 03c	1/2 3/4		K33
90833-0284	4	NATURAL	1a 3a	01c d40	1/2 3/4		K87



UPDATED TO ANNON IEC NO. E2007-0946 DRAWN: BRITILE CHKD: APPR: BMAGUIRE 2007/11/07 2007/11/27 2007/11/27	QUALITY SYMBOLS ▽=0 ▽=0	GENERAL TOLERANCES (UNLESS SPECIFIED) 4 PLACES ± --- mm INCH 3 PLACES ± 0.025 ± --- 2 PLACES ± 0.05 ± --- 1 PLACE ± 0.1 ± --- ANGULAR ± 1/2°	DIMENSION STYLE MM ONLY	SCALE 1:1	DESIGN UNITS METRIC	THIRD ANGLE PROJECTION	
	DRAFT WHERE APPLICABLE MUST REMAIN WITHIN DIMENSIONS	SEE CHARTS	DRAWN BY: PC CHECKED BY: BMAGUIRE APPROVED BY: MWILHITE DATE: 9/4/02/14	DATE: 9/4/02/14	TITLE: 5MM APPLI-MATE 6A/10A F-INDIRECT CONN ASSY	MOLEX INCORPORATED	SHEET NO. 3 OF 6
	MATERIAL NO.	DOCUMENT NO. SD-90833-001	THIS DRAWING CONTAINS INFORMATION THAT IS PROPRIETARY TO MOLEX INCORPORATED AND SHOULD NOT BE USED WITHOUT WRITTEN PERMISSION				
	SIZE: THIS DRAWING CONTAINS INFORMATION THAT IS PROPRIETARY TO MOLEX INCORPORATED AND SHOULD NOT BE USED WITHOUT WRITTEN PERMISSION						

MOLEX PART NO	CIRCUIT SIZE	COLOUR	POSITION KEYS	CODING KEYS	LATCH POSITION	CONFIGURATION	REF.
90833-2001	5	NATURAL	1a 3a	01c d30	1/2 4/5		K30
90833-2002	5	NATURAL	1a 5b	01c d20 03c d50	1/2 3/4		K31
90833-2006	5	NATURAL	2a	01c d50	2/3 4/5		K43
90833-2007	5	NATURAL	ALL	01c d50	2/3 4/5		K42
90833-2008	5	NATURAL	ALL	ALL	2/3 4/5		K92
90833-2010	5	NATURAL	ALL	ALL	1/2 3/4		K00
90833-2011	5	NATURAL	ALL	ALL	1/2 4/5		K90
90833-2012	5	NATURAL	2a 4b	01c d20 d40	1/2 3/4		K44
90833-2019	5	NATURAL	1a 3a	01c d30 d50	1/2 4/5		K49
90833-2023	5	BLUE	NONE	d20 d40	1/2 3/4		K75
90833-2025	5	NATURAL	NONE	01c d40	1/2 3/4		K**
90833-2026	5	GREEN	2b	d20 d50	1/2 3/4		K**
90833-2027	5	NATURAL	1a 5b	01c d20 03c d50	1/2 3/4		K31
90833-2028	5	NATURAL	1a 4a	d30	1/2 4/5		K04
90833-2029	5	NATURAL	1a 3a	01c d50	1/2		K**

MOLEX PART NO	CIRCUIT SIZE	COLOUR	POSITION KEYS	CODING KEYS	LATCH POSITION	CONFIGURATION	REF.
90833-2024	5	NATURAL	2a	01c, d50	2/3, 4/5		K43



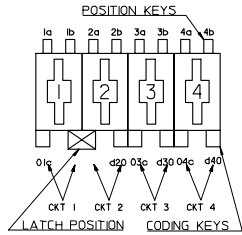
KEYING, CODING & LATCH IDENTIFICATION
(4 CKT EXAMPLE SHOWN)
VIEW IN MATING DIRECTION

UPDATED TO ANNON IEC NO. E2007-0946 2007/11/07 DRAWN: BRITILE 2007/11/27 CHKD: 2007/11/27 APPR: BMAGUIRE 2007/11/27 AB REV:	QUALITY SYMBOLS	GENERAL TOLERANCES (UNLESS SPECIFIED)	DIMENSION STYLE	SCALE	DESIGN UNITS	THIRD ANGLE PROJECTION															
	$\nabla=0$ $\nabla=0$	<table border="1"> <tr> <th></th> <th>mm</th> <th>INCH</th> </tr> <tr> <td>4 PLACES</td> <td>±---</td> <td>±---</td> </tr> <tr> <td>3 PLACES</td> <td>±0.025</td> <td>±---</td> </tr> <tr> <td>2 PLACES</td> <td>±0.05</td> <td>±---</td> </tr> <tr> <td>1 PLACE</td> <td>±0.1</td> <td>±---</td> </tr> </table>		mm	INCH	4 PLACES	±---	±---	3 PLACES	±0.025	±---	2 PLACES	±0.05	±---	1 PLACE	±0.1	±---	MM ONLY	1:1	METRIC	
		mm	INCH																		
	4 PLACES	±---	±---																		
3 PLACES	±0.025	±---																			
2 PLACES	±0.05	±---																			
1 PLACE	±0.1	±---																			
DRAFT WHERE APPLICABLE MUST REMAIN WITHIN DIMENSIONS	DRAWN BY: PC DATE: 9/10/14 CHECKED BY: BMAGUIRE DATE: 9/10/14 APPROVED BY: MWILHITE DATE: 9/10/14	TITLE	5MM APPLI-MATE 6A/10A F-INDIRECT CONN ASSY																		
		ANGULAR ±1/2°	MATERIAL NO.	DOCUMENT NO.	MOLEX INCORPORATED																
			SEE CHARTS	SD-90833-001																	
			SHEET THIS DRAWING CONTAINS INFORMATION THAT IS PROPRIETARY TO MOLEX INCORPORATED AND SHOULD NOT BE USED WITHOUT WRITTEN PERMISSION																		

MOLEX PART NO	CIRCUIT SIZE	COLOUR	POSITION KEYS	CODING KEYS	LATCH POSITION	CONFIGURATION	REF.
90833-2750	6	NATURAL	ALL	ALL	2/3 4/5		K90
90833-2751	6	GREY	ALL	02c d50	2/3 4/5		k38
90833-2752	6	GREY	1b	02c d50	2/3 4/5		k40
90833-2765	6	NATURAL	1b	03c d60	1/2 5/6		k91
90833-2764	6	NATURAL	ALL	ALL	1/2 5/6		k53
90833-2773	6	NATURAL	5b	01c d40	1/2 5/6		k61
90833-2776	6	NATURAL	1b 6a	d30	1/2 5/6		
90833-2777	6	NATURAL	2b 6b	d40	1/2 5/6		k04
90833-2778	6	BLUE	1b	d10 d50	2/3 4/5		k88
90833-2779	6	NATURAL	5b	02C, 06C	3/4		K**
90833-2780	8	NATURAL	1b 2a	d20 03c d60	1/2 4/5		K**
90833-2781	6	NATURAL	NONE	d20, d60	1/2, 5/6		k108

MOLEX PART NO	CIRCUIT SIZE	COLOUR	POSITION KEYS	CODING KEYS	LATCH POSITION	CONFIGURATION	REF.
90833-3500	7	YELLOW	2b	d20 d60	1/2 5/6		K32
90833-3501	7	YELLOW	ALL	d20 d60	1/2 5/6		K33
90833-3502	7	YELLOW	ALL	d20 07c	1/2 5/6		K36
90833-3503	7	YELLOW	2b	d20 07c	1/2 5/6		K37
90833-3521	7	NATURAL	2b	d20 07c	1/2 5/6		K37
90833-3513	7	NATURAL	ALL	ALL	1/2 5/6		K00
90833-3514	7	NATURAL	NONE	d20	1/2 5/6		K44
90833-3518	7	NATURAL	ALL	ALL	2/3 6/7		K90
90833-3520	7	NATURAL	ALL	02c d60	2/3 6/7		K49
90833-3522	7	NATURAL	NONE	d20 03c 07c	5/6		K**
90833-3523	7	NATURAL	1a 6b	03c 07c	4/5		K**
90833-3824	7	NATURAL	1b 2a 3b 4c 5d 6e 6f 7g	d20 07c	1/2 5/6		K**
90833-3521	7	NATURAL	2b	d20 07c	1/2 5/6		K37

MOLEX PART NO	CIRCUIT SIZE	COLOUR	POSITION KEYS	CODING KEYS	LATCH POSITION	CONFIGURATION	REF.
90833-4250	8	NATURAL	ALL	ALL	3/4 5/6		K00
90833-4251	8	NATURAL	1b 3a 3b 5c 5d 7a 8a	01b d20 03c 05c 07c	3/4 5/6		K36
90833-4256	8	NATURAL	ALL	ALL	1/2 7/8		K90
90833-4255	8	NATURAL	ALL	03c d60	1/2 7/8		K39
90833-4261	8	BLUE	ALL	03c d60	1/2 7/8		
90833-4254	8	NATURAL	2b 8a	03c d60	1/2 7/8		
90833-4264	8	NATURAL	8b	02c d30 07c	2/3 7/8		



KEYING, CODING & LATCH IDENTIFICATION (CKT EXAMPLE SHOWN) VIEW IN MATING DIRECTION

UPDATED TO ANNON
 E.C. NO. E2007-0946
 2007/11/07
 DR: WNB/BRITILE
 CHKD: 2007/11/21
 APPR: BMAGUIRE
 2007/11/21

QUALITY SYMBOLS
 ▽=0
 ▽=0

GENERAL TOLERANCES (UNLESS SPECIFIED)
 DIMENSION STYLE: MM ONLY
 SCALE: 1:1
 DESIGN UNITS: METRIC
 THIRD ANGLE PROJECTION

DRAWN BY: PC
 DATE: 9/10/14
 CHECKED BY: BMAGUIRE
 DATE: 9/10/14
 APPROVED BY: MWILHITE
 DATE: 9/10/14

TITLE: 5MM APPLI-MATE 6A/10A F-INDIRECT CONN ASSY
 MATERIAL NO.:
 DOCUMENT NO.: SD-90833-001
 SHEET NO.: 5 OF 6

DRAFT WHERE APPLICABLE MUST REMAIN WITHIN DIMENSIONS

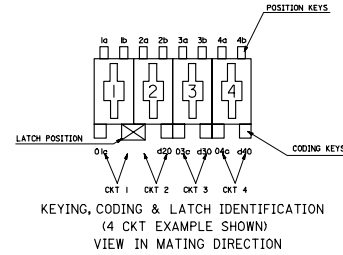
SEE CHARTS

THIS DRAWING CONTAINS INFORMATION THAT IS PROPRIETARY TO MOLEX INCORPORATED AND SHOULD NOT BE USED WITHOUT WRITTEN PERMISSION

MOLEX PART NO	CIRCUIT SIZE	COLOUR	POSITION KEYS	CODING KEYS	LATCH POSITION	CONFIGURATION	REF
90833-5000	9	NATURAL	ALL	ALL	3/4 6/7		K00
90833-5001	9	NATURAL	1b 2a 3a 5a 6a 7b 8b	01a 03a 07a 08a 09a	3/4 6/7		K34
90833-5010	9	NATURAL	2b 5a	08b	2/3 7/8		K03
90833-5012	9	NATURAL	1b	05a	5/6		K0A

MOLEX PART NO	CIRCUIT SIZE	COLOUR	POSITION KEYS	CODING KEYS	LATCH POSITION	CONFIGURATION	REF
90833-8000	12	NATURAL	ALL	ALL	3/4 9/10		K00
90833-8001	12	NATURAL	1a 2a 4a 4b 5a 6a 8a 11a	01a 03a 06a 07a 08a 010a 11a	3/4 9/10		K41

90833-6000	10	NATURAL	ALL	ALL	3/4 7/8		K00
90833-6001	10	NATURAL	1a 3b 7b 8a	01a 02a 04a 05a 010a	3/4 7/8		K34
90833-6005	10	NATURAL	ALL	ALL	4/5 7/8		K38
90833-6006	10	NATURAL	ALL	ALL	4/5 6/7		K39
90833-6007	10	NATURAL	1a 10b	07a	4/5 7/8		K39
90833-6008	10	NATURAL	1b 9a	06a	4/5 6/7		K40
90833-6023	10	NATURAL	1b	03a	5/6		K**
90833-6024	10	NATURAL	4b 6b 8a 8b	010a	5/6		K**
90833-6025	10	NATURAL	4b 6b 8a 8b	06a 010a	NONE		K**



MOLEX PART NO	CIRCUIT SIZE	COLOUR	POSITION KEYS	CODING KEYS	LATCH POSITION	CONFIGURATION	REF
90833-7000	11	NATURAL	ALL	ALL	3/4 8/9		K00
90833-7001	11	NATURAL	1a 2b 3b 4a 4b 5a 7a 8a 9a 10a 11a	01a 04a 05a 08a 10a	3/4 8/9		K33

UPDATED TO ANNON IEC NO. E2007-0946 2007/11/07 DRAWN: BRUNTLE 2007/11/21 CHKC: BMAGUIRE 2007/11/21 APPR: BMAGUIRE 2007/11/21 DESCRIPTION REV: AB	QUALITY SYMBOLS ▽=0 ▽=0	GENERAL TOLERANCES (UNLESS SPECIFIED) 4 PLACES ± --- ± --- 3 PLACES ±0.025 ± --- 2 PLACES ±0.05 ± --- 1 PLACE ±0.1 ± --- ANGULAR ±1/2°	DIMENSION STYLE MM ONLY DRAWN BY: PC DATE: 9/10/14 CHECKED BY: BMAGUIRE DATE: 9/10/14 APPROVED BY: MWILHITE DATE: 9/10/14	SCALE: 1:1 DESIGN UNITS: METRIC THIRD ANGLE PROJECTION	TITLE: 5MM APPLI-MATE 6A/10A F-INDIRECT CONN ASSY
	DRAFT WHERE APPLICABLE MUST REMAIN WITHIN DIMENSIONS		MATERIAL NO.: SEE CHARTS SIZE: THIS DRAWING CONTAINS INFORMATION THAT IS PROPRIETARY TO MOLEX INCORPORATED AND SHOULD NOT BE USED WITHOUT WRITTEN PERMISSION	MOLEX INCORPORATED	DOCUMENT NO.: SD-90833-001 SHEET NO.: 6 OF 6