

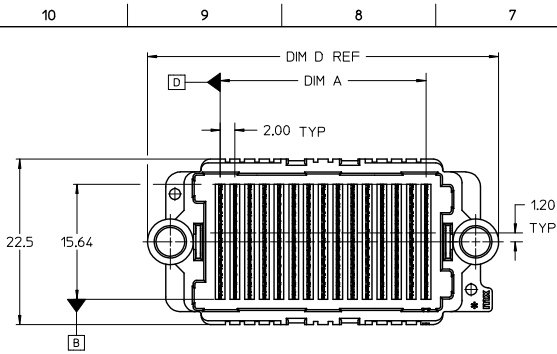
Excellent Integrated System Limited

Stocking Distributor

Click to view price, real time Inventory, Delivery & Lifecycle Information:

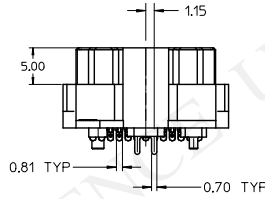
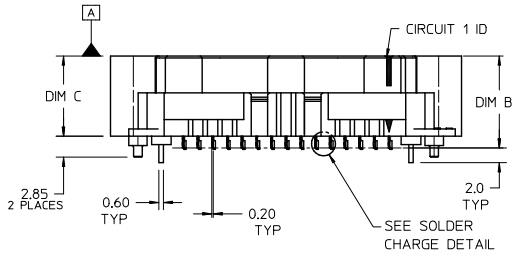
[Molex Connector Corporation](#)
[0458020011](#)

For any questions, you can email us directly:
sales@integrated-circuit.com

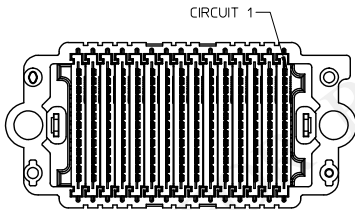
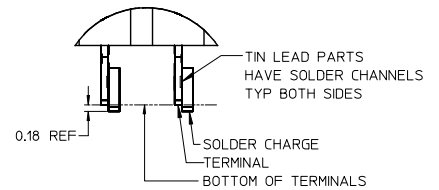


NOTES:

- HOUSING MATERIAL: LIQUID CRYSTAL POLYMER, GLASS FILLED, UL 94V-0, BLACK
CONTACT MATERIAL: HIGH PERFORMANCE COPPER ALLOY
SOLDER NAIL MATL: STAINLESS STEEL
SOLDER CHARGE MATL: 63% TIN, 37% LEAD
- FINISH:
CONTACT AREA: 0.76 MICROMETER (30 MICROINCH) MINIMUM GOLD
TAIL AREA: 2.54 MICROMETER (100 MICROINCH) MINIMUM 90/10 TIN-LEAD
ENTIRE TERMINAL: NICKEL UNDERPLATE
- PRODUCT SPEC: PS-45802-001
- COSMETIC SPEC: PS-45499-002 CLASS B
- PACKAGING SPEC: PK-45802-001 MOLEX STANDARD TRAYS
- DATUM -D- IS THE CENTERLINE OF THE 2 END SLOTS, END SLOT CENTERLINES ARE ESTABLISHED USING 2 MEASUREMENTS FOR EACH SLOT TAKEN 7.20 EITHER SIDE OF DATUM -B-.
- THERE ARE 13 CIRCUITS PER ROW

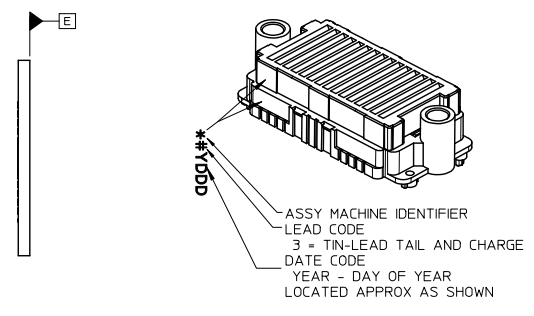
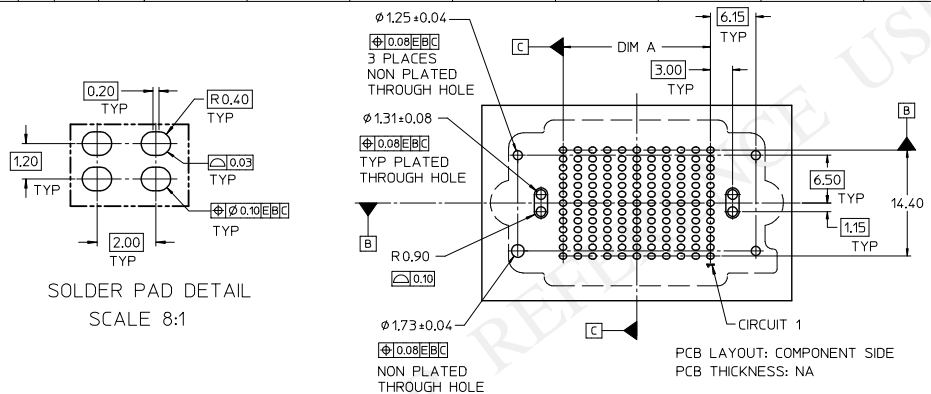
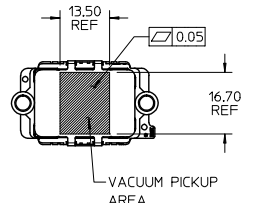


SOLDER CHARGE DETAIL



INITIAL RELEASE EC NO: LCP/2016-2554 DRAWN BY: TIBARRA 2015/12/21 CHECKED BY: BBARKER 2015/12/21 APPROVED BY: TIBARRA 2016/01/27	QUALITY SYMBOLS ▽=0 ▽=0 ▽=0	GENERAL TOLERANCES (UNLESS SPECIFIED)		DIMENSION STYLE MM ONLY		SCALE 2:1	DESIGN UNITS METRIC	THIRD ANGLE PROJECTION	
			mm	INCH	DRAWN BY TIBARRA	DATE 2015/12/21	TITLE HIGH DENSITY MEZZANINE RECEPTACLE ASSEMBLY TIN-LEAD TAILS, CHARGES molex RSD-45802-0001 SHEET NO. 1 OF 2		
		4 PLACES ±	---	±	CHECKED BY BBARKER	DATE 2015/12/21			
		3 PLACES ±	0.050	±	APPROVED BY TIBARRA	DATE 2016/01/27			
2 PLACES ±	0.15	±	MATERIAL NO.						
1 PLACE ±	0.3	±	DRAFT WHERE APPLICABLE MUST REMAIN WITHIN DIMENSIONS		SEE TABLE		DOCUMENT NO. RSD-45802-0001		
0 PLACE ±	±	±	ANGULAR ±1/2°		SIZE B		THIS DRAWING CONTAINS INFORMATION THAT IS PROPRIETARY TO MOLEX INCORPORATED AND SHOULD NOT BE USED WITHOUT WRITTEN PERMISSION		

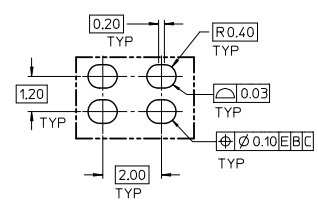
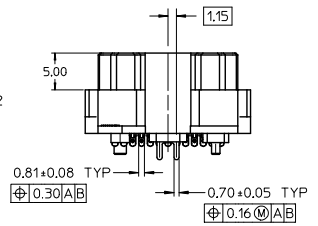
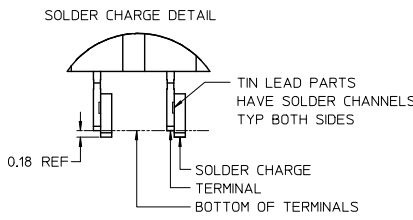
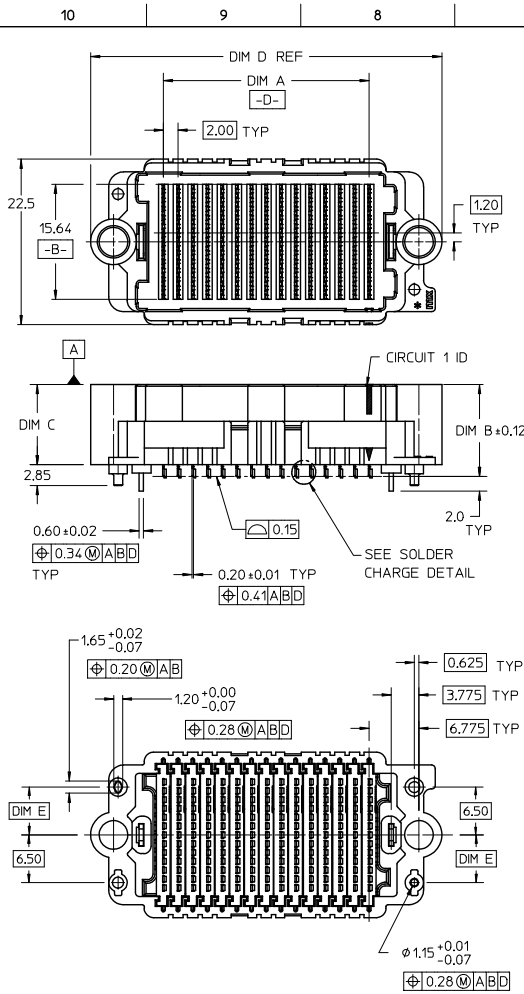
10	9	8	7	6	5	4	3	2	1	
STACK HEIGHT:	8 mm	9 mm	10 mm	11 mm	12 mm	13 mm	14 mm	15 mm	17 mm	18 mm
DIM B:	10,51	11,51	12,51	13,51	14,51	15,51	16,51	17,51	19,51	20,51
DIM C:	8,90	9,90	10,90	11,90	12,90	13,90	14,90	15,90	17,90	18,90
ROWS	DIM A	DIM D	MATERIAL No	MATERIAL No	MATERIAL No	MATERIAL No	MATERIAL No	MATERIAL No	MATERIAL No	MATERIAL No
07	12,00	31,89								
09	16,00	35,89								
11	20,00	39,89	45802-0111							
13	24,00	43,89								
15	28,00	47,89								
17	32,00	51,89								
19	36,00	55,89								
21	40,00	59,89								
23	44,00	63,89								
25	48,00	67,89								
27	52,00	71,89								



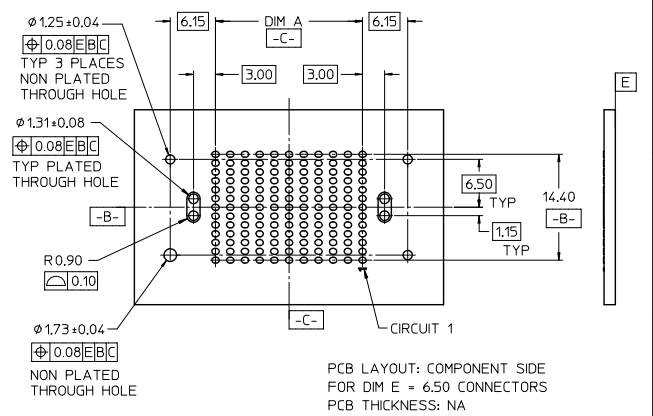
SOLDER PAD DETAIL
SCALE 8:1

PCB LAYOUT: COMPONENT SIDE
PCB THICKNESS: NA

SEE SHEET 1 EC NO: UCP2016-2554 DRAWN BY: TIBARRA 2015/12/21 CHKD BY: BARKER 2015/12/21 APPR: TIBARRA 2016/01/27	QUALITY SYMBOLS ∇=0 ∇=0 ∇=0	GENERAL TOLERANCES (UNLESS SPECIFIED)		DIMENSION STYLE MM ONLY		SCALE 2:1	DESIGN UNITS METRIC	THIRD ANGLE PROJECTION	
		4 PLACES ± --- ± ---	3 PLACES ± 0.050 ± ---	DRAWN BY TIBARRA	DATE 2015/12/21	HIGH DENSITY MEZZANINE RECEPTACLE ASSEMBLY TIN-LEAD TAILS, CHARGES molex MATERIAL NO. SEE TABLE DOCUMENT NO. RSD-45802-0001 SHEET NO. 2 OF 2			
		2 PLACES ± 0.15 ± ---	1 PLACE ± 0.3 ± ---	CHECKED BY BBARKER	DATE 2015/12/21				
		0 PLACE ± ±	APPROVED BY TIBARRA	DATE 2016/01/27					
ANGULAR ± 1/2°		DRAFT WHERE APPLICABLE MUST REMAIN WITHIN DIMENSIONS							

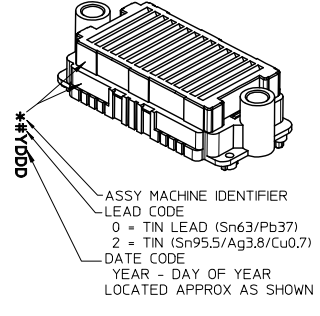
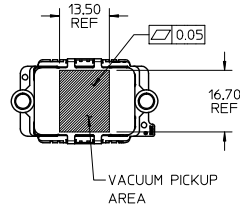


- NOTES:
- HOUSING MATERIAL: LCP, GLASS FILLED, UL 94V-0, BLACK
CONTACT MATERIAL: HIGH PERFORMANCE ALLOY
SOLDER NAIL MATL: STAINLESS STEEL
SOLDER CHARGE MATL: SEE TABLE
 - FINISH: SELECT GOLD 30 MICRO-INCHES MINIMUM IN CONTACT AREA
SELECT TIN: 100 MICRO-INCHES MINIMUM IN PCB TAIL BOTH OVER NICKEL
 - PRODUCT SPEC: PS-45802-001
 - COSMETIC SPEC: PS-45499-002 CLASS B
 - PACKAGING SPEC: PK-45802-001 MOLEX STANDARD TRAYS
PK-45802-002 JEDEC STYLE TRAYS
 - DATUM -D- IS THE CENTERLINE OF THE 2 END SLOTS. END SLOT CENTERLINES ARE ESTABLISHED USING 2 MEASUREMENTS FOR EACH SLOT TAKEN 7.20 EITHER SIDE OF DATUM -B-.
 - THERE ARE 13 CKTS PER ROW



CLARIFY PEG LOCATION EC NO: LCP2016-3732 DRWNSYANG01 2016/03/24 CHKDKAN 2016/03/24 APPROVEDCOMAN 2016/03/31 REV	QUALITY SYMBOLS	GENERAL TOLERANCES (UNLESS SPECIFIED)		DIMENSION STYLE MM ONLY		SCALE 2:1	DESIGN UNITS METRIC	THIRD ANGLE PROJECTION
	▽=0	4 PLACES ±	mm	INCH	DRAWN BY TGREGOR I	DATE 2010/10/06	HIGH DENSITY MEZZANINE RECEPTACLE ASSEMBLY	
	▽=0	3 PLACES ±	0.050	±	CHECKED BY	DATE		
	▽=0	2 PLACES ±	0.15	±	APPROVED BY JCOMERC I	DATE 2010/10/22	molex DOCUMENT NO. SD-45802-0001	
	1 PLACE ±	0.3	±	MATERIAL NO. SEE TABLE		SHEET NO. 1 OF 4		
	0 PLACE ±		±	ANGULAR ±1/2° DRAFT WHERE APPLICABLE MUST REMAIN WITHIN DIMENSIONS		THIS DRAWING CONTAINS INFORMATION THAT IS PROPRIETARY TO MOLEX INCORPORATED AND SHOULD NOT BE USED WITHOUT WRITTEN PERMISSION		

	10	9	8	7	6	5	4	3	2	1				
F LEAD CODE = "0"	STACK HEIGHT:	8 mm	9 mm	10 mm	11 mm	12 mm	13 mm	14 mm	15 mm	17 mm	18 mm			
	DIM B:	10.51	11.51	12.51	13.51	14.51	15.51	16.51	17.51	19.51	20.51			
	DIM C:	8.90	9.90	10.90	11.90	12.90	13.90	14.90	15.90	17.90	18.90			
E TIN / LEAD PARTS	ROWS	DIM A	DIM D	MATERIAL No	MATERIAL No	MATERIAL No	MATERIAL No	MATERIAL No	MATERIAL No	MATERIAL No	MATERIAL No			
	07	12.00	31.89	45802-0007	45802-3007	45802-2007	45802-8007	45802-4007	45802-9007	45802-6007	45802-7007	45802-5007	45802-1007	
	09	16.00	35.89	45802-0009	45802-3009	45802-2009	45802-8009	45802-4009	45802-9009	45802-6009	45802-7009	45802-5009	45802-1009	
	11	20.00	39.89	45802-0011	45802-3011	45802-2011	45802-8011	45802-4011	45802-9011	45802-6011	45802-7011	45802-5011	45802-1011	
	13	24.00	43.89	45802-0013	45802-3013	45802-2013	45802-8013	45802-4013	45802-9013	45802-6013	45802-7013	45802-5013	45802-1013	
	15	28.00	47.89	45802-0015	45802-3015	45802-2015	45802-8015	45802-4015	45802-9015	45802-6015	45802-7015	45802-5015	45802-1015	
	17	32.00	51.89	45802-0017	45802-3017	45802-2017	45802-8017	45802-4017	45802-9017	45802-6017	45802-7017	45802-5017	45802-1017	
	19	36.00	55.89	45802-0019	45802-3019	45802-2019	45802-8019	45802-4019	45802-9019	45802-6019	45802-7019	45802-5019	45802-1019	
	21	40.00	59.89	45802-0021	45802-3021	45802-2021	45802-8021	45802-4021	45802-9021	45802-6021	45802-7021	45802-5021	45802-1021	
	23	44.00	63.89	45802-0023	45802-3023	45802-2023	45802-8023	45802-4023	45802-9023	45802-6023	45802-7023	45802-5023	45802-1023	
	25	48.00	67.89	45802-0025	45802-3025	45802-2025	45802-8025	45802-4025	45802-9025	45802-6025	45802-7025	45802-5025	45802-1025	
	27	52.00	71.89	45802-0027	45802-3027	45802-2027	45802-8027	45802-4027	45802-9027	45802-6027	45802-7027	45802-5027	45802-1027	
	D LEAD CODE = "2"	STACK HEIGHT:	8 mm	9 mm	10 mm	11 mm	12 mm	13 mm	14 mm	15 mm	17 mm	18 mm		
		DIM B:	10.51	11.51	12.51	13.51	14.51	15.51	16.51	17.51	19.51	20.51		
		DIM C:	8.90	9.90	10.90	11.90	12.90	13.90	14.90	15.90	17.90	18.90		
	C TIN PARTS	ROWS	DIM A	DIM D	MATERIAL No	MATERIAL No	MATERIAL No	MATERIAL No	MATERIAL No	MATERIAL No	MATERIAL No	MATERIAL No		
		07	12.00	31.89	45802-0207	45802-3207	45802-2207	45802-8207	45802-4207	45802-9207	45802-6207	45802-7207	45802-5207	45802-1207
		09	16.00	35.89	45802-0209	45802-3209	45802-2209	45802-8209	45802-4209	45802-9209	45802-6209	45802-7209	45802-5209	45802-1209
		11	20.00	39.89	45802-0311	45802-3211	45802-2211	45802-8211	45802-4211	45802-9211	45802-6211	45802-7211	45802-5211	45802-1211
		13	24.00	43.89	45802-0213	45802-3213	45802-2213	45802-8213	45802-4213	45802-9213	45802-6213	45802-7213	45802-5213	45802-1213
		15	28.00	47.89	45802-0215	45802-3215	45802-2215	45802-8215	45802-4215	45802-9215	45802-6215	45802-7215	45802-5215	45802-1215
		17	32.00	51.89	45802-0217	45802-3217	45802-2217	45802-8217	45802-4217	45802-9217	45802-6217	45802-7217	45802-5217	45802-1217
		19	36.00	55.89	45802-0219	45802-3219	45802-2219	45802-8219	45802-4219	45802-9219	45802-6219	45802-7219	45802-5219	45802-1219
		21	40.00	59.89	45802-0221	45802-3221	45802-2221	45802-8221	45802-4221	45802-9221	45802-6221	45802-7221	45802-5221	45802-1221
		23	44.00	63.89	45802-0223	45802-3223	45802-2223	45802-8223	45802-4223	45802-9223	45802-6223	45802-7223	45802-5223	45802-1223
		25	48.00	67.89	45802-0225	45802-3225	45802-2225	45802-8225	45802-4225	45802-9225	45802-6225	45802-7225	45802-5225	45802-1225
		27	52.00	71.89	45802-0227	45802-3227	45802-2227	45802-8227	45802-4227	45802-9227	45802-6227	45802-7227	45802-5227	45802-1227



PARTS SHOWN ON THIS SHEET HAVE THE FOLLOWING OPTIONS:

DIM E = 6.50
PACKAGING: MOLEX STANDARD TRAYS

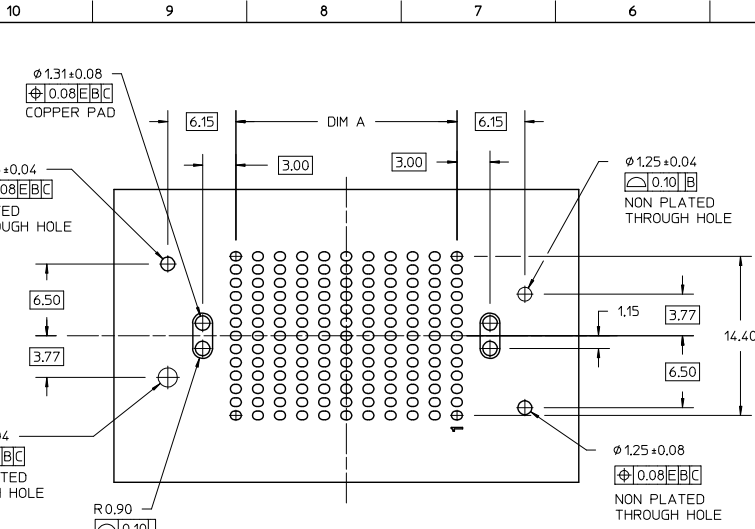
NOTE:
1. SOLDER CHARGE COMPOSITION
TIN/LEAD: Sn 63/Pb 37
TIN Sn 95.5/ Ag 3.8/ Cu 0.7

SEE SHEET 1 EC NO: UCP2016-3732 2016/03/24 DRWNSVANG01 CHKDRICAIN APPRJCIMOMAN 2016/03/31	QUALITY SYMBOLS ∇=0 ∇=0 ∇=0	GENERAL TOLERANCES (UNLESS SPECIFIED)		DIMENSION STYLE MM ONLY		SCALE 1:1	DESIGN UNITS METRIC	THIRD ANGLE PROJECTION	
		4 PLACES ±	mm	INCH	DRAWN BY TREGOR1	DATE 2010/10/06	TITLE HIGH DENSITY MEZZANINE RECEPTACLE ASSEMBLY		
		3 PLACES ±0.050	±	±	CHECKED BY	DATE			
		2 PLACES ±0.15	±	±	APPROVED BY JCOMERC1	DATE 2010/10/22	MATERIAL NO. SEE TABLE		
1 PLACE ±0.3	±	±	ANGULAR ±1/2°		DOCUMENT NO. SD-45802-0001	SHEET NO. 2 OF 4			
0 PLACE ±	±	±	DRAFT WHERE APPLICABLE MUST REMAIN WITHIN DIMENSIONS		THIS DRAWING CONTAINS INFORMATION THAT IS PROPRIETARY TO MOLEX INCORPORATED AND SHOULD NOT BE USED WITHOUT WRITTEN PERMISSION				

	10	9	8	7	6	5	4	3	2	1		
F LEAD CODE = "0"	STACK HEIGHT:	8 mm	9 mm	10 mm	11 mm	12 mm	13 mm	14 mm	15 mm	17 mm	18 mm	
	DIM B:	10.51	11.51	12.51	13.51	14.51	15.51	16.51	17.51	19.51	20.51	
	DIM C:	8.90	9.90	10.90	11.90	12.90	13.90	14.90	15.90	17.90	18.90	
E TIN / LEAD PARTS		MATERIAL No	MATERIAL No	MATERIAL No	MATERIAL No	MATERIAL No	MATERIAL No	MATERIAL No	MATERIAL No	MATERIAL No	MATERIAL No	
	07	12.00 31.89	45802-0089	45802-3089	45802-2089	45802-8089	45802-4089	45802-9089	45802-6089	45802-7089	45802-5089	45802-1089
	09	16.00 35.89	45802-0090	45802-3090	45802-2090	45802-8090	45802-4090	45802-9090	45802-6090	45802-7090	45802-5090	45802-1090
	11	20.00 39.89	45802-0091	45802-3091	45802-2091	45802-8091	45802-4091	45802-9091	45802-6091	45802-7091	45802-5091	45802-1091
	13	24.00 43.89	45802-0092	45802-3092	45802-2092	45802-8092	45802-4092	45802-9092	45802-6092	45802-7092	45802-5092	45802-1092
	15	28.00 47.89	45802-0093	45802-3093	45802-2093	45802-8093	45802-4093	45802-9093	45802-6093	45802-7093	45802-5093	45802-1093
	17	32.00 51.89	45802-0094	45802-3094	45802-2094	45802-8094	45802-4094	45802-9094	45802-6094	45802-7094	45802-5094	45802-1094
	19	36.00 55.89	45802-0095	45802-3095	45802-2095	45802-8095	45802-4095	45802-9095	45802-6095	45802-7095	45802-5095	45802-1095
	21	40.00 59.89	45802-0096	45802-3096	45802-2096	45802-8096	45802-4096	45802-9096	45802-6096	45802-7096	45802-5096	45802-1096
	23	44.00 63.89	45802-0097	45802-3097	45802-2097	45802-8097	45802-4097	45802-9097	45802-6097	45802-7097	45802-5097	45802-1097
D LEAD CODE = "2"	STACK HEIGHT:	8 mm	9 mm	10 mm	11 mm	12 mm	13 mm	14 mm	15 mm	17 mm	18 mm	
	DIM B:	10.51	11.51	12.51	13.51	14.51	15.51	16.51	17.51	19.51	20.51	
	DIM C:	8.90	9.90	10.90	11.90	12.90	13.90	14.90	15.90	17.90	18.90	
		MATERIAL No	MATERIAL No	MATERIAL No	MATERIAL No	MATERIAL No	MATERIAL No	MATERIAL No	MATERIAL No	MATERIAL No	MATERIAL No	MATERIAL No
C TIN PARTS	07	12.00 31.89	45802-0289	45802-3289	45802-2289	45802-8289	45802-4289	45802-9289	45802-6289	45802-7289	45802-5289	45802-1289
	09	16.00 35.89	45802-0290	45802-3290	45802-2290	45802-8290	45802-4290	45802-9290	45802-6290	45802-7290	45802-5290	45802-1290
	11	20.00 39.89	45802-0291	45802-3291	45802-2291	45802-8291	45802-4291	45802-9291	45802-6291	45802-7291	45802-5291	45802-1291
	13	24.00 43.89	45802-0292	45802-3292	45802-2292	45802-8292	45802-4292	45802-9292	45802-6292	45802-7292	45802-5292	45802-1292
	15	28.00 47.89	45802-0293	45802-3293	45802-2293	45802-8293	45802-4293	45802-9293	45802-6293	45802-7293	45802-5293	45802-1293
	17	32.00 51.89	45802-0294	45802-3294	45802-2294	45802-8294	45802-4294	45802-9294	45802-6294	45802-7294	45802-5294	45802-1294
	19	36.00 55.89	45802-0295	45802-3295	45802-2295	45802-8295	45802-4295	45802-9295	45802-6295	45802-7295	45802-5295	45802-1295
	21	40.00 59.89	45802-0296	45802-3296	45802-2296	45802-8296	45802-4296	45802-9296	45802-6296	45802-7296	45802-5296	45802-1296
	23	44.00 63.89	45802-0297	45802-3297	45802-2297	45802-8297	45802-4297	45802-9297	45802-6297	45802-7297	45802-5297	45802-1297
	25	48.00 67.89	45802-0298	45802-3298	45802-2298	45802-8298	45802-4298	45802-9298	45802-6298	45802-7298	45802-5298	45802-1298
27	52.00 71.89	45802-0299	45802-3299	45802-2299	45802-8299	45802-4299	45802-9299	45802-6299	45802-7299	45802-5299	45802-1299	

PARTS SHOWN ON THIS SHEET
 HAVE THE FOLLOWING OPTIONS:
 DIM E = 6.50
 PACKAGING: JEDEC STYLE TRAYS

A REV	SEE SHEET 1 EC NO: IJCP2016-3732 J DRWNSVANG01 CHKORICIA IN APPROVED/COMAN 2016/03/24 2016/03/24 2016/03/21	QUALITY SYMBOLS 	GENERAL TOLERANCES (UNLESS SPECIFIED)		DIMENSION STYLE		SCALE	DESIGN UNITS	THIRD ANGLE PROJECTION			
					MM ONLY		1:1	METRIC				
					DRAWN BY DATE		TITLE					
					CHECKED BY DATE		HIGH DENSITY MEZZANINE RECEPTACLE ASSEMBLY					
		APPROVED BY DATE		MATERIAL NO.		DOCUMENT NO.		SHEET NO.				
		JCOMERC I 2010/10/22		SEE TABLE		SD-45802-0001		3 OF 4				
		ANGULAR ±1/2°		SIZE B		THIS DRAWING CONTAINS INFORMATION THAT IS PROPRIETARY TO MOLEX INCORPORATED AND SHOULD NOT BE USED WITHOUT WRITTEN PERMISSION						
		DRAFT WHERE APPLICABLE MUST REMAIN WITHIN DIMENSIONS										



PCB LAYOUT: COMPONENT SIDE
FOR DIM E = 3.77 CONNECTORS
PCB THICKNESS: NA
SEE SHEET 1 FOR DETAILED OVAL PAD LAYOUT

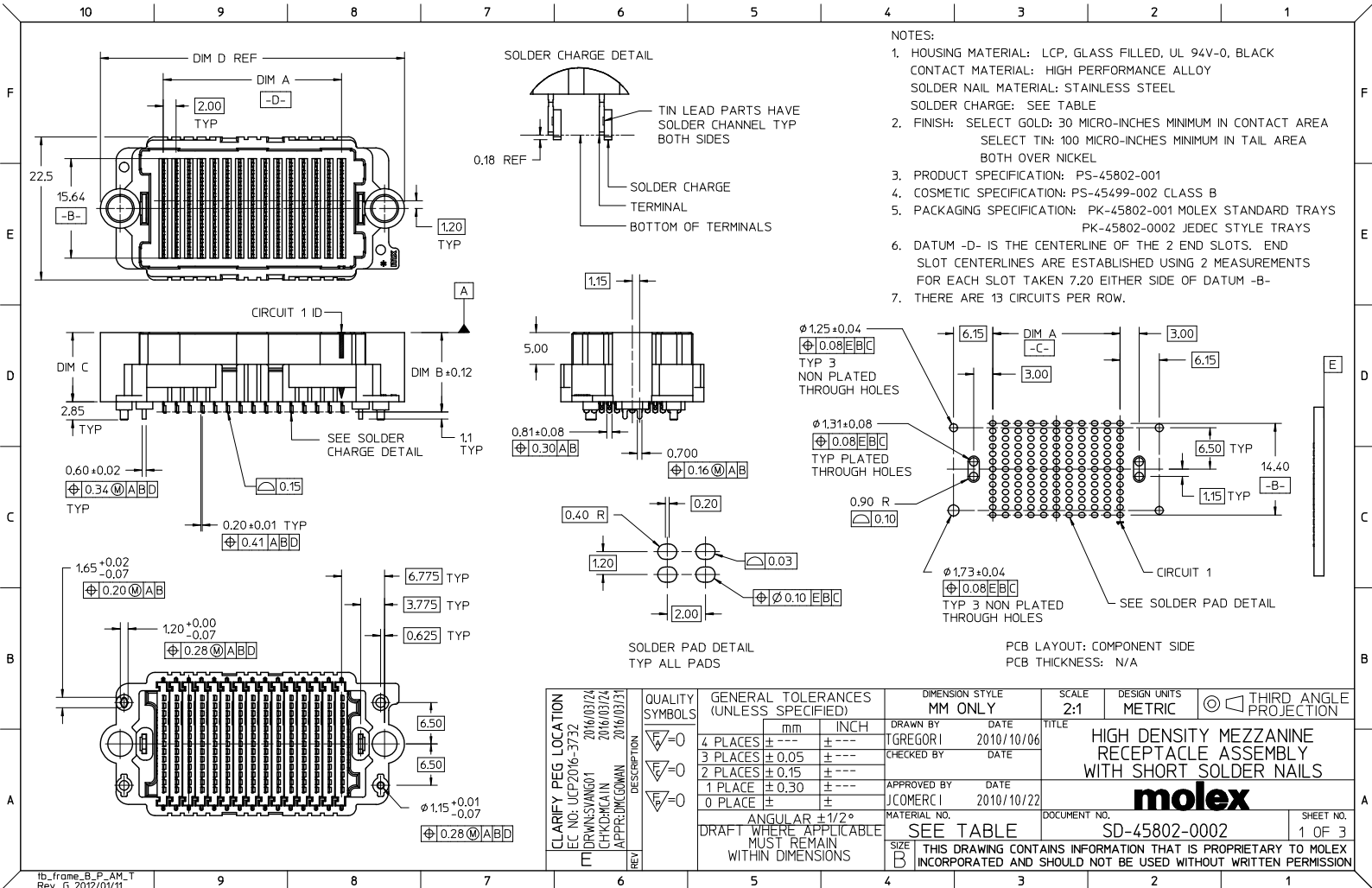
PARTS SHOWN ON THIS SHEET
HAVE THE FOLLOWING OPTIONS:

DIM E = 3.77
PACKAGING: MOLEX STANDARD TRAYS
OR JEDEC STYLE TRAYS

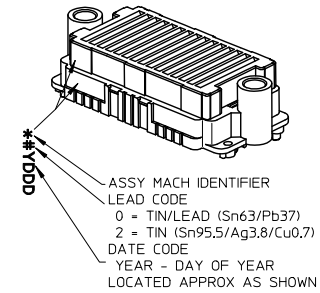
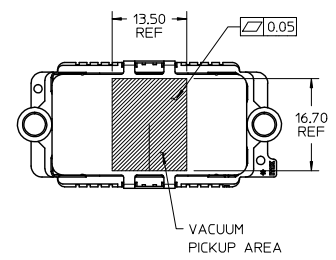
		MOLEX TRAY	JEDEC TYPE		
LEAD CODE = "0"	STACK HEIGHT:	18 mm	18 mm		
	DIM B:	20.51	20.51		
	DIM C:	18.90	18.90		
TIN / LEAD PARTS		MATERIAL No	MATERIAL No		
	07	12.00	31.89	45802-1507	45802-1589
	09	16.00	35.89	45802-1509	45802-1590
	11	20.00	39.89	45802-1511	45802-1591
	13	24.00	43.89	45802-1513	45802-1592
	15	28.00	47.89	45802-1515	45802-1593
	17	32.00	51.89	45802-1517	45802-1594
	19	36.00	55.89	45802-1519	45802-1595
	21	40.00	59.89	45802-1521	45802-1596
	23	44.00	63.89	45802-1523	45802-1597
25	48.00	67.89	45802-1525	45802-1598	
27	52.00	71.89	45802-1527	45802-1599	

		MOLEX TRAY	JEDEC TYPE		
LEAD CODE = "2"	STACK HEIGHT:	18 mm	18 mm		
	DIM B:	20.51	20.51		
	DIM C:	18.90	18.90		
TIN PARTS		MATERIAL No	MATERIAL No		
	07	12.00	31.89	45802-1607	45802-1689
	09	16.00	35.89	45802-1609	45802-1690
	11	20.00	39.89	45802-1611	45802-1691
	13	24.00	43.89	45802-1613	45802-1692
	15	28.00	47.89	45802-1615	45802-1693
	17	32.00	51.89	45802-1617	45802-1694
	19	36.00	55.89	45802-1619	45802-1695
	21	40.00	59.89	45802-1621	45802-1696
	23	44.00	63.89	45802-1623	45802-1697
25	48.00	67.89	45802-1625	45802-1698	
27	52.00	71.89	45802-1627	45802-1699	

SEE SHEET 1 EC NO: UCP2016-3732 DRAWN BY: DRWNSVANG01 CHKD BY: CHKDKACIN APPROVED BY: APPRDMGOMAN	QUALITY SYMBOLS √=0 √=0 √=0	GENERAL TOLERANCES (UNLESS SPECIFIED) mm INCH 4 PLACES ± .050 ± .002 3 PLACES ± 0.15 ± .005 2 PLACES ± .3 ± .010 1 PLACE ± .3 ± .010 0 PLACE ± .3 ± .010	DIMENSION STYLE MM ONLY	SCALE 3:1	DESIGN UNITS METRIC	THIRD ANGLE PROJECTION	
	DRAWN BY: TGREGOR I CHECKED BY: DATE: 2010/10/06	APPROVED BY: JCOMERC I DATE: 2010/10/22	MATERIAL NO. SEE TABLE	TITLE HIGH DENSITY MEZZANINE RECEPTACLE ASSEMBLY	DOCUMENT NO. SD-45802-0001	SHEET NO. 4 OF 4	THIS DRAWING CONTAINS INFORMATION THAT IS PROPRIETARY TO MOLEX INCORPORATED AND SHOULD NOT BE USED WITHOUT WRITTEN PERMISSION
	ANGLE ±1/2° DRAFT WHERE APPLICABLE MUST REMAIN WITHIN DIMENSIONS	SIZE B					



	10	9	8	7	6	5	4	3	2	1				
F LEAD CODE = "0"	STACK HEIGHT:	8 mm	9 mm	10 mm	11 mm	12 mm	13 mm	14 mm	15 mm	17 mm	18 mm			
	DIM B:	10.51	11.51	12.51	13.51	14.51	15.51	16.51	17.51	19.51	20.51			
	DIM C:	8.90	9.90	10.90	11.90	12.90	13.90	14.90	15.90	17.90	18.90			
E TIN / LEAD PARTS	ROWS	DIM A	DIM G	MATERIAL No	MATERIAL No	MATERIAL No	MATERIAL No	MATERIAL No	MATERIAL No	MATERIAL No	MATERIAL No			
	07	12.00	31.89	45802-0707	45802-3707	45802-2707	45802-8707	45802-4707	45802-9707	45802-6707	45802-7707	45802-5707	45802-1707	
	09	16.00	35.89	45802-0709	45802-3709	45802-2709	45802-8709	45802-4709	45802-9709	45802-6709	45802-7709	45802-5709	45802-1709	
	11	20.00	39.89	45802-0711	45802-3711	45802-2711	45802-8711	45802-4711	45802-9711	45802-6711	45802-7711	45802-5711	45802-1711	
	13	24.00	43.89	45802-0713	45802-3713	45802-2713	45802-8713	45802-4713	45802-9713	45802-6713	45802-7713	45802-5713	45802-1713	
	15	28.00	47.89	45802-0715	45802-3715	45802-2715	45802-8715	45802-4715	45802-9715	45802-6715	45802-7715	45802-5715	45802-1715	
	17	32.00	51.89	45802-0717	45802-3717	45802-2717	45802-8717	45802-4717	45802-9717	45802-6717	45802-7717	45802-5717	45802-1717	
	19	36.00	55.89	45802-0719	45802-3719	45802-2719	45802-8719	45802-4719	45802-9719	45802-6719	45802-7719	45802-5719	45802-1719	
	21	40.00	59.89	45802-0721	45802-3721	45802-2721	45802-8721	45802-4721	45802-9721	45802-6721	45802-7721	45802-5721	45802-1721	
	23	44.00	63.89	45802-0723	45802-3723	45802-2723	45802-8723	45802-4723	45802-9723	45802-6723	45802-7723	45802-5723	45802-1723	
	25	48.00	67.89	45802-0725	45802-3725	45802-2725	45802-8725	45802-4725	45802-9725	45802-6725	45802-7725	45802-5725	45802-1725	
	27	52.00	71.89	45802-0727	45802-3727	45802-2727	45802-8727	45802-4727	45802-9727	45802-6727	45802-7727	45802-5727	45802-1727	
	D LEAD CODE = "2"	STACK HEIGHT:	8 mm	9 mm	10 mm	11 mm	12 mm	13 mm	14 mm	15 mm	17 mm	18 mm		
		DIM B:	10.51	11.51	12.51	13.51	14.51	15.51	16.51	17.51	19.51	20.51		
		DIM C:	8.90	9.90	10.90	11.90	12.90	13.90	14.90	15.90	17.90	18.90		
	C TIN PARTS	ROWS	DIM A	DIM G	MATERIAL No	MATERIAL No	MATERIAL No	MATERIAL No	MATERIAL No	MATERIAL No	MATERIAL No	MATERIAL No		
		07	12.00	31.89	45802-0807	45802-3807	45802-2807	45802-8807	45802-4807	45802-9807	45802-6807	45802-7807	45802-5807	45802-1807
		09	16.00	35.89	45802-0809	45802-3809	45802-2809	45802-8809	45802-4809	45802-9809	45802-6809	45802-7809	45802-5809	45802-1809
		11	20.00	39.89	45802-0811	45802-3811	45802-2811	45802-8811	45802-4811	45802-9811	45802-6811	45802-7811	45802-5811	45802-1811
		13	24.00	43.89	45802-0813	45802-3813	45802-2813	45802-8813	45802-4813	45802-9813	45802-6813	45802-7813	45802-5813	45802-1813
		15	28.00	47.89	45802-0815	45802-3815	45802-2815	45802-8815	45802-4815	45802-9815	45802-6815	45802-7815	45802-5815	45802-1815
		17	32.00	51.89	45802-0817	45802-3817	45802-2817	45802-8817	45802-4817	45802-9817	45802-6817	45802-7817	45802-5817	45802-1817
		19	36.00	55.89	45802-0819	45802-3819	45802-2819	45802-8819	45802-4819	45802-9819	45802-6819	45802-7819	45802-5819	45802-1819
		21	40.00	59.89	45802-0821	45802-3821	45802-2821	45802-8821	45802-4821	45802-9821	45802-6821	45802-7821	45802-5821	45802-1821
		23	44.00	63.89	45802-0823	45802-3823	45802-2823	45802-8823	45802-4823	45802-9823	45802-6823	45802-7823	45802-5823	45802-1823
		25	48.00	67.89	45802-0825	45802-3825	45802-2825	45802-8825	45802-4825	45802-9825	45802-6825	45802-7825	45802-5825	45802-1825
		27	52.00	71.89	45802-0827	45802-3827	45802-2827	45802-8827	45802-4827	45802-9827	45802-6827	45802-7827	45802-5827	45802-1827



ALL PARTS ON THIS SHEET HAVE THE FOLLOWING OPTIONS
PACKAGING: MOLEX STANDARD TRAY

NOTE:
1. SOLDER CHARGE COMPOSITION
TIN/LEAD: Sn 63/Pb 37
TIN: Sn 95.5/ Ag 3.8/ Cu 0.7

SEE SHEET 1 E.C. NO: IJCP2016-3732 2016/03/24 M DRWINSANG01 (CHKORICA IN APPROVING) 2016/03/31 REV DESCRIPTION	QUALITY SYMBOLS	GENERAL TOLERANCES (UNLESS SPECIFIED)	DIMENSION STYLE	SCALE	DESIGN UNITS	THIRD ANGLE PROJECTION
	▽=0	4 PLACES ± .05	MM ONLY	1:5:1	METRIC	
	▽=0	3 PLACES ± 0.15				
	▽=0	2 PLACES ± 0.30				
	ANGULAR ±1/2° DRAFT WHERE APPLICABLE MUST REMAIN WITHIN DIMENSIONS	DRAWN BY DATE TGREGORI 2010/10/06	TITLE HIGH DENSITY MEZZANINE RECEPTACLE ASSEMBLY WITH SHORT SOLDER NAILS			
		CHECKED BY DATE	DOCUMENT NO. SD-45802-0002			
		APPROVED BY DATE JCOMERC I 2010/10/22	SHEET NO. 2 OF 3			
		MATERIAL NO.	THIS DRAWING CONTAINS INFORMATION THAT IS PROPRIETARY TO MOLEX INCORPORATED AND SHOULD NOT BE USED WITHOUT WRITTEN PERMISSION			

	10	9	8	7	6	5	4	3	2	1		
F LEAD CODE = "0"	STACK HEIGHT:	8 mm	9 mm	10 mm	11 mm	12 mm	13 mm	14 mm	15 mm	17 mm	18 mm	
	DIM B:	10.51	11.51	12.51	13.51	14.51	15.51	16.51	17.51	19.51	20.51	
	DIM C:	8.90	9.90	10.90	11.90	12.90	13.90	14.90	15.90	17.90	18.90	
E TIN / LEAD PARTS	ROWS	DIM A	DIM G	MATERIAL No	MATERIAL No	MATERIAL No	MATERIAL No	MATERIAL No	MATERIAL No	MATERIAL No	MATERIAL No	
	07	12.00	31.89	45802-0789	45802-3789	45802-2789	45802-8789	45802-4789	45802-9789	45802-6789	45802-7789	45802-1789
	09	16.00	35.89	45802-0790	45802-3790	45802-2790	45802-8790	45802-4790	45802-9790	45802-6790	45802-7790	45802-1790
	11	20.00	39.89	45802-0791	45802-3791	45802-2791	45802-8791	45802-4791	45802-9791	45802-6791	45802-7791	45802-1791
	13	24.00	43.89	45802-0792	45802-3792	45802-2792	45802-8792	45802-4792	45802-9792	45802-6792	45802-7792	45802-1792
	15	28.00	47.89	45802-0793	45802-3793	45802-2793	45802-8793	45802-4793	45802-9793	45802-6793	45802-7793	45802-1793
	17	32.00	51.89	45802-0794	45802-3794	45802-2794	45802-8794	45802-4794	45802-9794	45802-6794	45802-7794	45802-1794
	19	36.00	55.89	45802-0795	45802-3795	45802-2795	45802-8795	45802-4795	45802-9795	45802-6795	45802-7795	45802-1795
	21	40.00	59.89	45802-0796	45802-3796	45802-2796	45802-8796	45802-4796	45802-9796	45802-6796	45802-7796	45802-1796
	23	44.00	63.89	45802-0797	45802-3797	45802-2797	45802-8797	45802-4797	45802-9797	45802-6797	45802-7797	45802-1797
D LEAD CODE = "2"	STACK HEIGHT:	8 mm	9 mm	10 mm	11 mm	12 mm	13 mm	14 mm	15 mm	17 mm	18 mm	
	DIM B:	10.51	11.51	12.51	13.51	14.51	15.51	16.51	17.51	19.51	20.51	
	DIM C:	8.90	9.90	10.90	11.90	12.90	13.90	14.90	15.90	17.90	18.90	
	ROWS	DIM A	DIM G	MATERIAL No	MATERIAL No	MATERIAL No	MATERIAL No	MATERIAL No	MATERIAL No	MATERIAL No	MATERIAL No	MATERIAL No
07	12.00	31.89	45802-0889	45802-3889	45802-2889	45802-8889	45802-4889	45802-9889	45802-6889	45802-7889	45802-1889	
09	16.00	35.89	45802-0890	45802-3890	45802-2890	45802-8890	45802-4890	45802-9890	45802-6890	45802-7890	45802-1890	
11	20.00	39.89	45802-0891	45802-3891	45802-2891	45802-8891	45802-4891	45802-9891	45802-6891	45802-7891	45802-1891	
13	24.00	43.89	45802-0892	45802-3892	45802-2892	45802-8892	45802-4892	45802-9892	45802-6892	45802-7892	45802-1892	
15	28.00	47.89	45802-0893	45802-3893	45802-2893	45802-8893	45802-4893	45802-9893	45802-6893	45802-7893	45802-1893	
17	32.00	51.89	45802-0894	45802-3894	45802-2894	45802-8894	45802-4894	45802-9894	45802-6894	45802-7894	45802-1894	
19	36.00	55.89	45802-0895	45802-3895	45802-2895	45802-8895	45802-4895	45802-9895	45802-6895	45802-7895	45802-1895	
21	40.00	59.89	45802-0896	45802-3896	45802-2896	45802-8896	45802-4896	45802-9896	45802-6896	45802-7896	45802-1896	
23	44.00	63.89	45802-0897	45802-3897	45802-2897	45802-8897	45802-4897	45802-9897	45802-6897	45802-7897	45802-1897	
25	48.00	67.89	45802-0898	45802-3898	45802-2898	45802-8898	45802-4898	45802-9898	45802-6898	45802-7898	45802-1898	
27	52.00	71.89	45802-0899	45802-3899	45802-2899	45802-8899	45802-4899	45802-9899	45802-6899	45802-7899	45802-1899	

ALL PARTS ON THIS SHEET HAVE THE FOLLOWING OPTIONS:

PACKAGING: JEDEC STYLE TRAY

	10	9	8	7	6	5	4	3	2	1		
C LEAD CODE = "2"	STACK HEIGHT:	8 mm	9 mm	10 mm	11 mm	12 mm	13 mm	14 mm	15 mm	17 mm	18 mm	
	DIM B:	10.51	11.51	12.51	13.51	14.51	15.51	16.51	17.51	19.51	20.51	
	DIM C:	8.90	9.90	10.90	11.90	12.90	13.90	14.90	15.90	17.90	18.90	
B TIN PARTS	ROWS	DIM A	DIM G	MATERIAL No	MATERIAL No	MATERIAL No	MATERIAL No	MATERIAL No	MATERIAL No	MATERIAL No	MATERIAL No	
	07	12.00	31.89	45802-0889	45802-3889	45802-2889	45802-8889	45802-4889	45802-9889	45802-6889	45802-7889	45802-1889
	09	16.00	35.89	45802-0890	45802-3890	45802-2890	45802-8890	45802-4890	45802-9890	45802-6890	45802-7890	45802-1890
	11	20.00	39.89	45802-0891	45802-3891	45802-2891	45802-8891	45802-4891	45802-9891	45802-6891	45802-7891	45802-1891
	13	24.00	43.89	45802-0892	45802-3892	45802-2892	45802-8892	45802-4892	45802-9892	45802-6892	45802-7892	45802-1892
	15	28.00	47.89	45802-0893	45802-3893	45802-2893	45802-8893	45802-4893	45802-9893	45802-6893	45802-7893	45802-1893
	17	32.00	51.89	45802-0894	45802-3894	45802-2894	45802-8894	45802-4894	45802-9894	45802-6894	45802-7894	45802-1894
	19	36.00	55.89	45802-0895	45802-3895	45802-2895	45802-8895	45802-4895	45802-9895	45802-6895	45802-7895	45802-1895
	21	40.00	59.89	45802-0896	45802-3896	45802-2896	45802-8896	45802-4896	45802-9896	45802-6896	45802-7896	45802-1896
	23	44.00	63.89	45802-0897	45802-3897	45802-2897	45802-8897	45802-4897	45802-9897	45802-6897	45802-7897	45802-1897
25	48.00	67.89	45802-0898	45802-3898	45802-2898	45802-8898	45802-4898	45802-9898	45802-6898	45802-7898	45802-1898	
27	52.00	71.89	45802-0899	45802-3899	45802-2899	45802-8899	45802-4899	45802-9899	45802-6899	45802-7899	45802-1899	

A	SEE SHEET 1 EC NO: UCP2016-3732 2016/03/24 CHKDRCAIN APPROVEDMAN 2016/03/31	QUALITY SYMBOLS 	GENERAL TOLERANCES (UNLESS SPECIFIED)		DIMENSION STYLE		SCALE	DESIGN UNITS	THIRD ANGLE PROJECTION			
					MM ONLY		1:1	METRIC				
			4 PLACES ±		mm		DATE		TITLE		HIGH DENSITY MEZZANINE RECEPTACLE ASSEMBLY WITH SHORT SOLDER NAILS 	
			3 PLACES ±0.05		INCH		TIGREGOR1 2010/10/06					
2 PLACES ±0.15				CHECKED BY								
1 PLACE ±0.30				APPROVED BY		DATE						
0 PLACE ±				JCOMERC1		2010/10/22						
		ANGULAR ±1/2°		MATERIAL NO.		DOCUMENT NO.		SHEET NO.				
		DRAFT WHERE APPLICABLE		SEE TABLE		SD-45802-0002		3 OF 3				
		MUST REMAIN WITHIN DIMENSIONS		SIZE B		THIS DRAWING CONTAINS INFORMATION THAT IS PROPRIETARY TO MOLEX INCORPORATED AND SHOULD NOT BE USED WITHOUT WRITTEN PERMISSION						