

Excellent Integrated System Limited

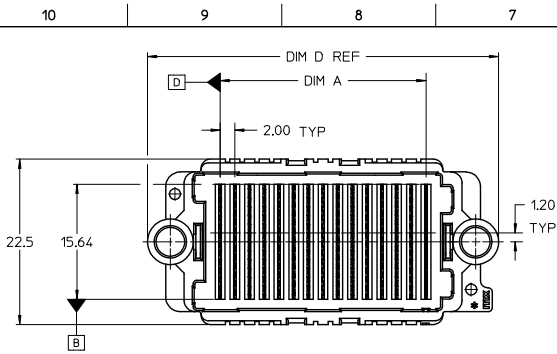
Stocking Distributor

Click to view price, real time Inventory, Delivery & Lifecycle Information:

[Molex Connector Corporation](#)
[0458021211](#)

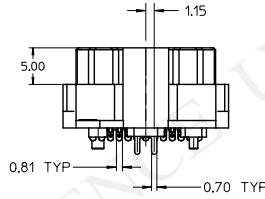
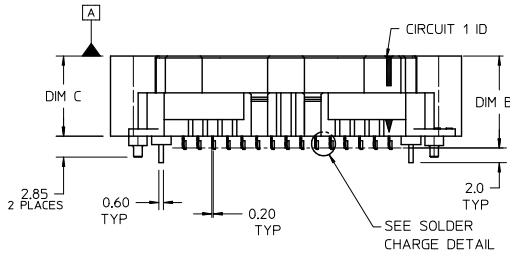
For any questions, you can email us directly:

sales@integrated-circuit.com

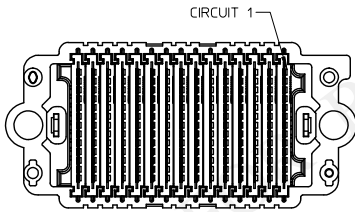
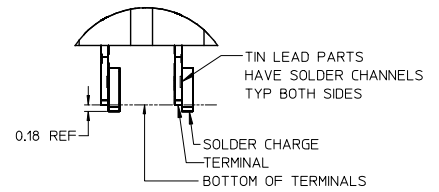


NOTES:

- HOUSING MATERIAL: LIQUID CRYSTAL POLYMER, GLASS FILLED, UL 94V-0, BLACK
CONTACT MATERIAL: HIGH PERFORMANCE COPPER ALLOY
SOLDER NAIL MATL: STAINLESS STEEL
SOLDER CHARGE MATL: 63% TIN, 37% LEAD
- FINISH:
CONTACT AREA: 0.76 MICROMETER (30 MICROINCH) MINIMUM GOLD
TAIL AREA: 2.54 MICROMETER (100 MICROINCH) MINIMUM 90/10 TIN-LEAD
ENTIRE TERMINAL: NICKEL UNDERPLATE
- PRODUCT SPEC: PS-45802-001
- COSMETIC SPEC: PS-45499-002 CLASS B
- PACKAGING SPEC: PK-45802-001 MOLEX STANDARD TRAYS
- DATUM -D- IS THE CENTERLINE OF THE 2 END SLOTS, END SLOT CENTERLINES ARE ESTABLISHED USING 2 MEASUREMENTS FOR EACH SLOT TAKEN 7.20 EITHER SIDE OF DATUM -B-.
- THERE ARE 13 CIRCUITS PER ROW

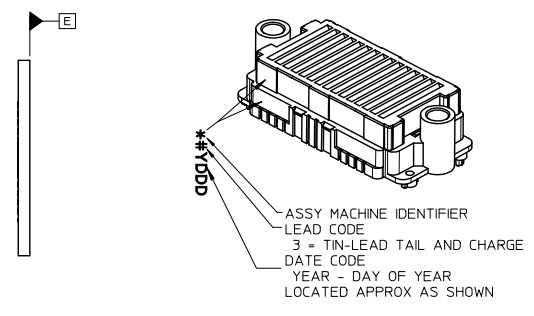
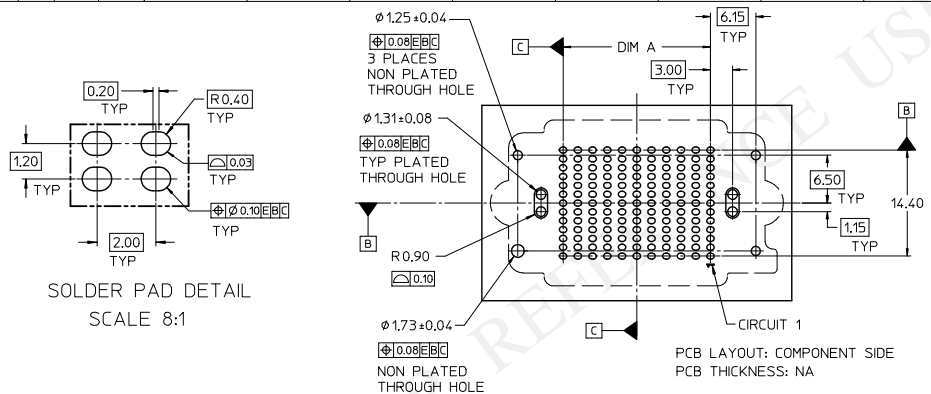
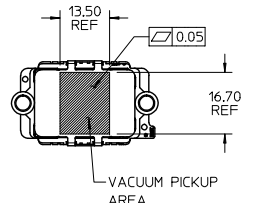


SOLDER CHARGE DETAIL



INITIAL RELEASE EC NO: LCP/2016-2554 DRAWN BY: TIBARRA 2015/12/21 CHECKED BY: BBARKER 2015/12/21 APPROVED BY: TIBARRA 2016/01/27	QUALITY SYMBOLS ▽=0 ▽=0 ▽=0	GENERAL TOLERANCES (UNLESS SPECIFIED)		DIMENSION STYLE MM ONLY		SCALE 2:1	DESIGN UNITS METRIC	THIRD ANGLE PROJECTION
		4 PLACES ±	3 PLACES ±0.050	2 PLACES ±0.15	1 PLACE ±0.3	0 PLACE ±	DRAWN BY: TIBARRA 2015/12/21 CHECKED BY: BBARKER 2015/12/21 APPROVED BY: TIBARRA 2016/01/27	
DRAFT WHERE APPLICABLE MUST REMAIN WITHIN DIMENSIONS		ANGULAR ±1/2°		MATERIAL NO. SEE TABLE		DOCUMENT NO. RSD-45802-0001		SHEET NO. 1 OF 2
THIS DRAWING CONTAINS INFORMATION THAT IS PROPRIETARY TO MOLEX INCORPORATED AND SHOULD NOT BE USED WITHOUT WRITTEN PERMISSION								

10	9	8	7	6	5	4	3	2	1	
STACK HEIGHT:	8 mm	9 mm	10 mm	11 mm	12 mm	13 mm	14 mm	15 mm	17 mm	18 mm
DIM B:	10,51	11,51	12,51	13,51	14,51	15,51	16,51	17,51	19,51	20,51
DIM C:	8,90	9,90	10,90	11,90	12,90	13,90	14,90	15,90	17,90	18,90
ROWS	DIM A	DIM D	MATERIAL No	MATERIAL No	MATERIAL No	MATERIAL No	MATERIAL No	MATERIAL No	MATERIAL No	MATERIAL No
07	12,00	31,89								
09	16,00	35,89								
11	20,00	39,89	45802-0111							
13	24,00	43,89								
15	28,00	47,89								
17	32,00	51,89								
19	36,00	55,89								
21	40,00	59,89								
23	44,00	63,89								
25	48,00	67,89								
27	52,00	71,89								



SOLDER PAD DETAIL
SCALE 8:1

PCB LAYOUT: COMPONENT SIDE
PCB THICKNESS: NA

SEE SHEET 1 EC NO: UCP2016-2554 DRAWN BY: TIBARRA 2015/12/21 CHKD BY: BARKER 2015/12/21 APPR: TIBARRA 2016/01/27	QUALITY SYMBOLS ∇=0 ∇=0 ∇=0	GENERAL TOLERANCES (UNLESS SPECIFIED)		DIMENSION STYLE MM ONLY		SCALE 2:1	DESIGN UNITS METRIC	THIRD ANGLE PROJECTION	
			mm	INCH	DRAWN BY TIBARRA	DATE 2015/12/21	HIGH DENSITY MEZZANINE RECEPTACLE ASSEMBLY TIN-LEAD TAILS, CHARGES molex DOCUMENT NO. RSD-45802-0001 SHEET NO. 2 OF 2		
		4 PLACES	± 0.15	± 0.006	CHECKED BY BBARKER	DATE 2015/12/21			
		3 PLACES	± 0.050	± 0.002	APPROVED BY TIBARRA	DATE 2016/01/27			
2 PLACES	± 0.15	± 0.006							
1 PLACE	± 0.3	± 0.012	ANGULAR ±1/2°		MATERIAL NO. SEE TABLE				
0 PLACE	±	±	DRAFT WHERE APPLICABLE MUST REMAIN WITHIN DIMENSIONS		SIZE B		THIS DRAWING CONTAINS INFORMATION THAT IS PROPRIETARY TO MOLEX INCORPORATED AND SHOULD NOT BE USED WITHOUT WRITTEN PERMISSION		